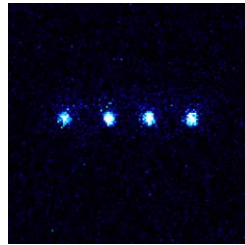


Pulse Programming for Quantum Computing

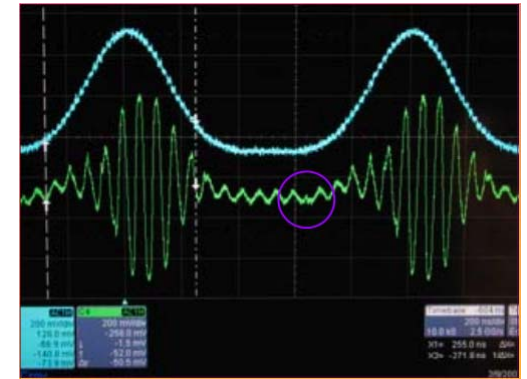
We can build computers out of **quantum systems!** For example...



Four **barium ions** are trapped in a physics lab.



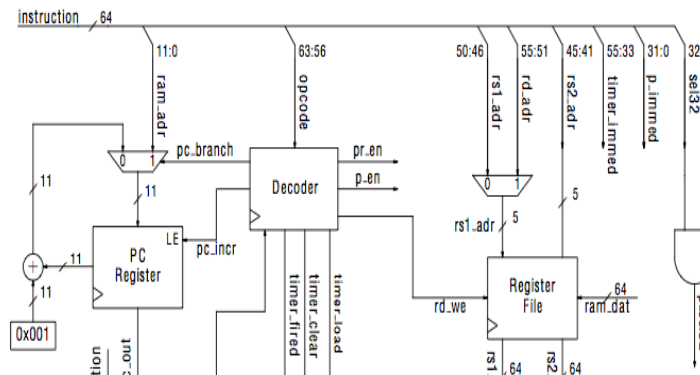
Lasers shine on the **ions** to change or read out their state.



Fast and precise **pulses** control **lasers** and other equipment.



FPGAs can produce fast and precise **pulses**...



...when they are programmed with custom **machines** and **instruction sets**.



But we need **your help** to add new features!

Paul Pham <ppham@cs.washington.edu>
<http://pulse-programmer.org>

Paid summer research jobs for undergrads