

## Review

- What are the advantages/disadvantages of pages versus segments?

## Review

- What are the advantages/disadvantages of pages versus segments?
- What information does a page table entry (PTE) contain? Be complete.

## Review

- What are the advantages/disadvantages of pages versus segments?
- What information does a page table entry (PTE) contain? Be complete.
- Every address, virtual or physical, is composed of two parts; what are they?

## Review

- What are the advantages/disadvantages of pages versus segments?
- What information does a page table entry (PTE) contain? Be complete.
- Every address, virtual or physical, is composed of two parts; what are they?
- In caching terms, what is the main memory?

## Review

- What are the advantages/disadvantages of pages versus segments?
- What information does a page table entry (PTE) contain? Be complete.
- Every address, virtual or physical, is composed of two parts; what are they?
- In caching terms, what is the main memory?
- On a L1 cache miss, the processor stalls, but on a page fault (page miss) it switches context. Why?

## Review

- What are the advantages/disadvantages of pages versus segments?
- What information does a page table entry (PTE) contain? Be complete.
- Every address, virtual or physical, is composed of two parts; what are they?
- In caching terms, what is the main memory?
- On a L1 cache miss, the processor stalls, but on a page fault (page miss) it switches context. Why?
- Paging, VM, demand loading are interacting ideas; explain each.

# Translation Buffers (TLBs)

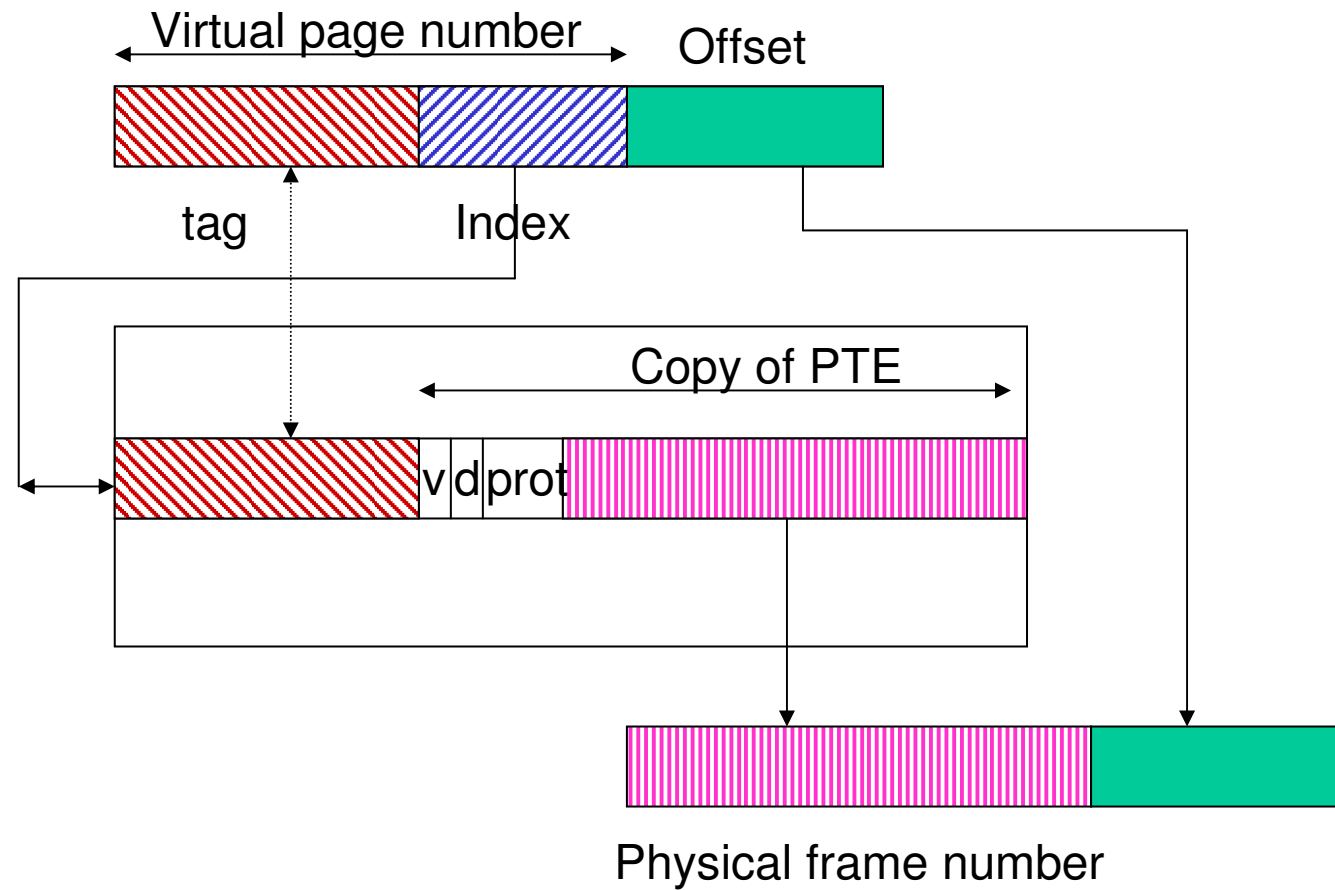
- To perform virtual to physical address translation we need to look-up a page table entry
- Since the page table is in memory, need to access memory
  - Much too time consuming; 50 cycles or more per memory reference
- Hence we need to cache the page tables
- For that purpose special caches named *translation buffers* are part of the memory system
  - Also named *Translation Lookaside Buffers (TLBs)*

# TLB organization

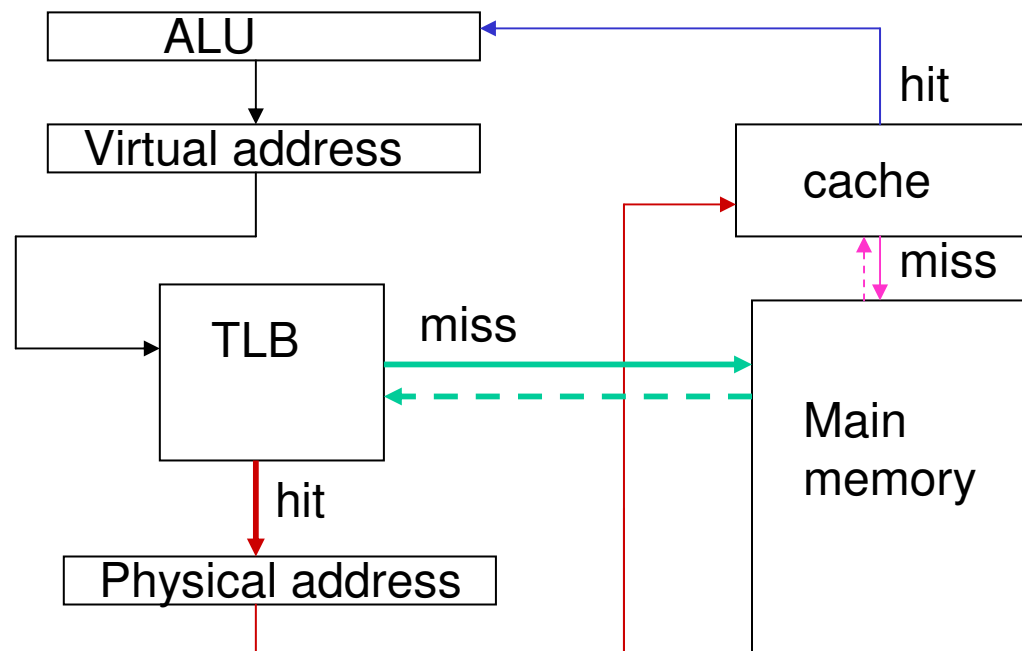
- TLB organized as caches
- Therefore for each entry in the TLB we'll have
  - a tag to check that it is the right entry
  - data which instead of being the contents of memory locations, like in a cache, will be a page table entry (PTE)
- TLB's are smaller than memory caches
  - 32 to 128 entries
  - from fully associative to direct-mapped
  - there can be an instruction TLB, a data TLB and also distinct TLB's for user and system address spaces



# TLB organization



# From virtual address to memory location (highly abstracted; revisited)



Why is it called a translation **lookaside** buffer?

# Address translation

- At each memory reference the hardware searches the TLB for the translation
  - TLB hit and valid PTE the physical address is passed to the cache
  - TLB miss, either hardware or software (depends on implementation) searches page table in memory.
    - If PTE is valid, contents of the PTE loaded in the TLB and back to step above
- In hardware the TLB miss takes 10-100 cycles
- In software takes up to 100 -1000 cycles
- In either case, no context-switch
  - Context-switch takes more cycles than a TLB miss
- If PTE is invalid, we have a page fault (even on a TLB hit)

# TLB Management

- TLBs are organized as caches
  - If small, can be fully associative
  - Current trend: larger (about 128 entries); separate TLB's for instruction and data; Some part of the TLB reserved for system
  - TLBs are write-back. The only thing that can change is dirty bit + any other information needed for page replacement algorithm (cf. CSE 451)
- MIPS 3000 TLB (old)
  - 64 entries: fully associative. “Random” replacement; 8 entries used by system
  - On TLB miss, we have a *trap*; software takes over but no context-switch

## TLB management (continued)

- At context-switch, the virtual page translations in the TLB are not valid for the new task
  - Invalidate the TLB (set all **valid** bits to 0)
  - Or append a Process ID (**PID**) number to the tag in the TLB. When a new task takes over, the O.S. creates a new PID.
  - PID are recycled and entries corresponding to “old PID” are invalidated.

# Paging systems -- Hardware/software interactions

- Page tables
  - Managed by the O.S.
  - Address of the start of the page table for a given process is found in a special register which is part of the *state* of the process
  - The O.S. has its own page table
  - The O.S. knows where the pages are stored on disk
- Page fault
  - When a program attempts to access a location which is part of a page that is not in main memory, we have a *page fault*

## Page fault detection (simplified)

- Page fault is an *exception*
- Detected by the hardware (invalid bit in PTE either in TLB or page table)
- To resolve a page fault takes millions of cycles (disk I/O)
  - The program that has a page fault must be interrupted
- A page fault occurs in the middle of an instruction
  - In order to restart the program later, the state of the program must be saved and instructions must be *restartable* (*precise exceptions*)
- State consists of all registers, including PC and special registers (such as the one giving the start of the page table address)

## Page fault handler (simplified)

- Page fault exceptions are cleared by an O.S. routine called the page fault handler which will
  - Grab a physical frame from a free list maintained by the O.S.
  - Find out where the faulting page resides on disk
  - Initiate a read for that page
  - Choose a frame to free (if needed), i.e., run a replacement algorithm
  - If the replaced frame is dirty, initiate a write of that frame to disk
  - Context-switch, i.e., give the CPU to a task ready to proceed



## Completion of page fault

- When the faulting page has been read from disk (a few ms later)
  - The disk controller will raise an *interrupt* (another form of exception)
  - The O.S. will take over (context-switch) and modify the PTE (in particular, make it valid)
  - The program that had the page fault is put on the queue of tasks ready to be run
  - Context-switch to the program that was running before the interrupt occurred

## Two extremes in the memory hierarchy

PARAMETER	L1	PAGING SYSTEM
block (page) size	16-64 bytes	4K-8K (also 64K)
miss (fault) time	10-100 cycles (20-1000 ns)	Millions of cycles (3-20 ms)
miss (fault) rate	1-10%	0.00001-0.001%
memory size	4K-64K Bytes (impl. depend.)	Gigabytes (depends on ISA)

## Other extreme differences

- Mapping: Restricted (L1) vs. General (Paging)
  - Hardware assist for virtual address translation (TLB)
- Miss handler
  - Hardware only for caches
  - Software only for paging system (context-switch)
  - Hardware and/or software for TLB
- Replacement algorithm
  - Not that important for caches
  - Very important for paging system
- Write policy
  - Always write back for paging systems

# Some optimizations

- Speed-up of the most common case (TLB hit + L1 Cache hit)
  - Do TLB look-up and cache look-up in parallel
    - possible if cache index independent of virtual address translation (good only for small caches)
  - Have cache indexed by virtual addresses but with physical tags
  - Have cache indexed by virtual addresses but with virtual tags
    - these last two solutions have additional problems referred to as **synonyms**