

Last Time: Boolean Algebra

- Usual notation used in circuit design
- Boolean algebra
 - a set of elements B containing $\{0, 1\}$
 - binary operations $\{ + , \cdot \}$
 - and a unary operation $\{ ' \}$
 - such that the following axioms hold:



For any a, b, c in B :

1. closure:

$$a + b \text{ is in } B$$

$$a \cdot b \text{ is in } B$$

2. commutativity:

$$a + b = b + a$$

$$a \cdot b = b \cdot a$$

3. associativity:

$$a + (b + c) = (a + b) + c$$

$$a \cdot (b \cdot c) = (a \cdot b) \cdot c$$

4. distributivity:

$$a + (b \cdot c) = (a + b) \cdot (a + c)$$

$$a \cdot (b + c) = (a \cdot b) + (a \cdot c)$$

5. identity:

$$a + 0 = a$$

$$a \cdot 1 = a$$

6. complementarity:

$$a + a' = 1$$

$$a \cdot a' = 0$$

7. null:

$$a + 1 = 1$$

$$a \cdot 0 = 0$$

8. idempotency:

$$a + a = a$$

$$a \cdot a = a$$

9. involution:

$$(a')' = a$$

Warm-up Exercise

- Create a Boolean Algebra expression for C below in terms of the variables a and b

a	b	$C(a, b)$
1	1	0
1	0	1
0	1	1
0	0	0

$$ab' + a'b$$

Warm-up Exercise

- Create a Boolean Algebra expression for “ c ” below in terms of the variables a and b

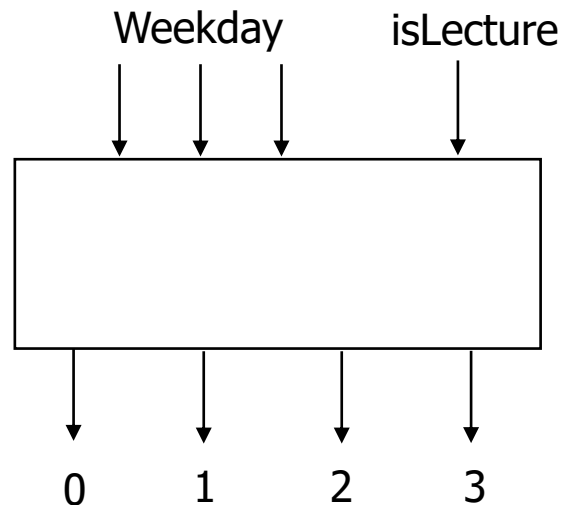
$$c = ab' + a'b$$

- Draw this as a circuit (using AND, OR, NOT)

Last Time: Combinational Logic

Encoding:

- Binary number for weekday (Binary encoding)
- One bit for each possible output (“1-Hot” encoding)



Last Time: Truth Table to Logic

	$d_2d_1d_0$	L	c_0	c_1	c_2	c_3
SUN	000	0	0	1	0	0
SUN	000	1	0	0	0	1
MON	001	0	0	1	0	0
MON	001	1	0	0	0	1
TUE	010	0	0	1	0	0
TUE	010	1	0	0	1	0
WED	011	0	0	1	0	0
WED	011	1	0	0	1	0
THU	100	-	0	1	0	0
FRI	101	0	1	0	0	0
FRI	101	1	0	1	0	0
SAT	110	-	1	0	0	0
-	111	-	1	0	0	0

→ $d_2' \cdot d_1' \cdot d_0' \cdot L$

→ $d_2' \cdot d_1' \cdot d_0 \cdot L$

Either situation causes c_3 to be true. So, we “or” them.

$$c_3 = d_2' \cdot d_1' \cdot d_0' \cdot L + d_2' \cdot d_1' \cdot d_0 \cdot L$$

Last Time: Truth Table to Logic

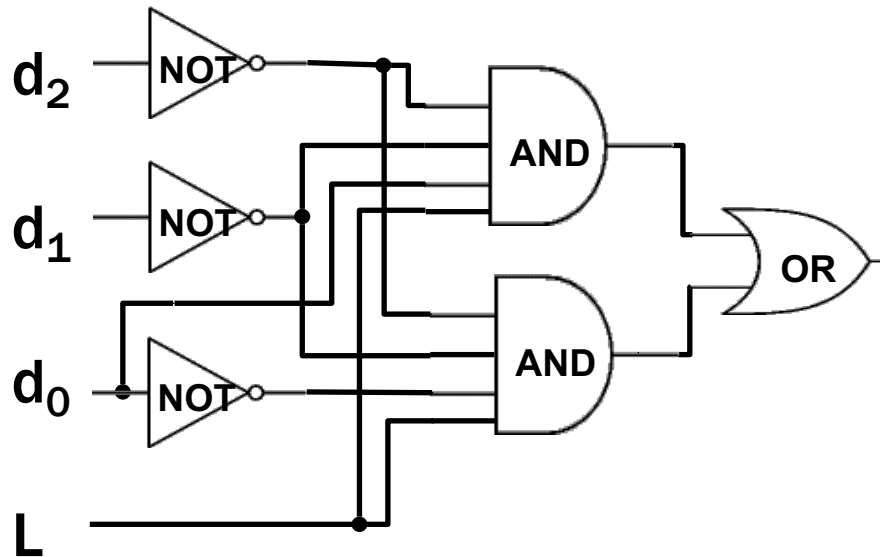
$$c_0 = d_2 \cdot d_1' \cdot d_0 \cdot L' + d_2 \cdot d_1 \cdot d_0' + d_2 \cdot d_1 \cdot d_0$$

$$c_1 = d_2' \cdot d_1' \cdot d_0' \cdot L' + d_2' \cdot d_1' \cdot d_0 \cdot L' + d_2' \cdot d_1 \cdot d_0' \cdot L' + d_2' \cdot d_1 \cdot d_0 \cdot L' + d_2 \cdot d_1' \cdot d_0' + d_2 \cdot d_1' \cdot d_0 \cdot L$$

$$c_2 = d_2' \cdot d_1 \cdot d_0' \cdot L + d_2' \cdot d_1 \cdot d_0 \cdot L$$

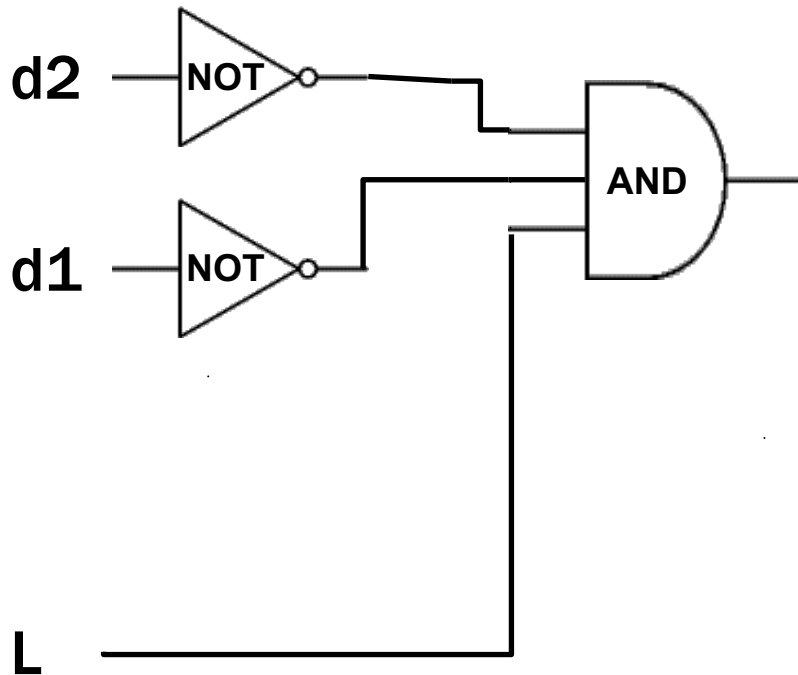
$$c_3 = d_2' \cdot d_1' \cdot d_0' \cdot L + d_2' \cdot d_1' \cdot d_0 \cdot L$$

Here's c_3 as a circuit:



Simplifying using Boolean Algebra

$$\begin{aligned}c3 &= d2' \cdot d1' \cdot d0' \cdot L + d2' \cdot d1' \cdot d0 \cdot L \\ &= d2' \cdot d1' \cdot (d0' + d0) \cdot L \\ &= d2' \cdot d1' \cdot 1 \cdot L \\ &= d2' \cdot d1' \cdot L\end{aligned}$$



Important Corollaries of this Construction

- \neg, \wedge, \vee can implement any Boolean function
we didn't need any others to do this
- **Actually, just \neg, \wedge (or \neg, \vee) are enough**
follows by De Morgan's laws
- **Actually, just NAND (or NOR)**

1-bit Binary Adder

A	$0 + 0 = 0$ (with $C_{OUT} = 0$)
<u>+ B</u>	$0 + 1 = 1$ (with $C_{OUT} = 0$)
S	$1 + 0 = 1$ (with $C_{OUT} = 0$)
(C_{OUT})	$1 + 1 = 0$ (with $C_{OUT} = 1$)

1-bit Binary Adder

A	$0 + 0 = 0$ (with $C_{OUT} = 0$)
<u>+ B</u>	$0 + 1 = 1$ (with $C_{OUT} = 0$)
S	$1 + 0 = 1$ (with $C_{OUT} = 0$)
(C_{OUT})	$1 + 1 = 0$ (with $C_{OUT} = 1$)

Idea: chain these together to add larger numbers

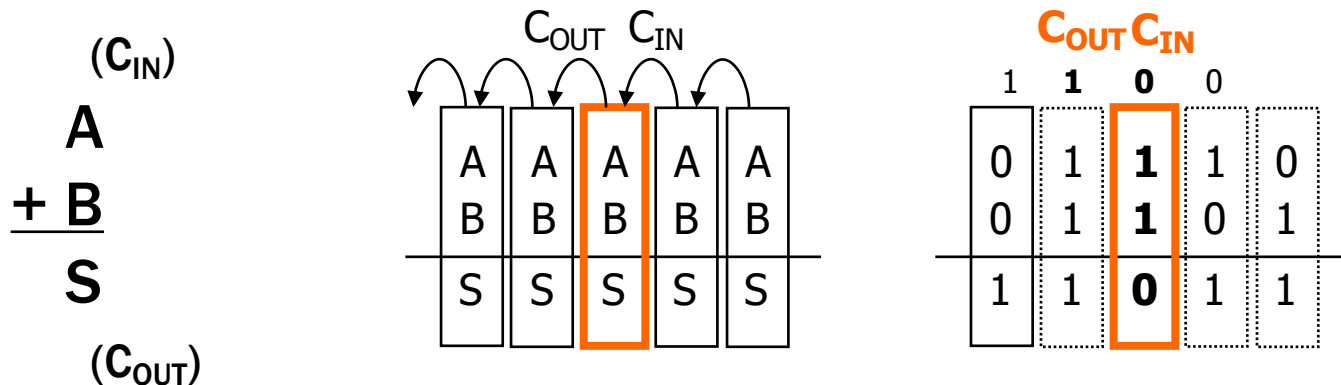
Recall from
elementary school:

$$\begin{array}{r} 248 \\ + 375 \\ \hline \end{array}$$

1-bit Binary Adder

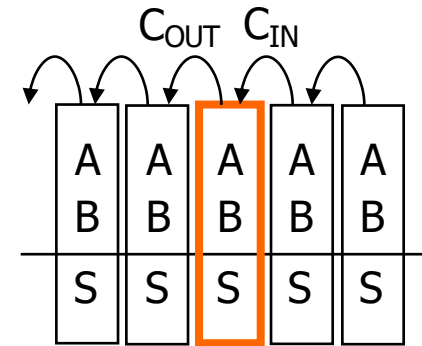
A	$0 + 0 = 0$ (with $C_{OUT} = 0$)
<u>+ B</u>	$0 + 1 = 1$ (with $C_{OUT} = 0$)
S	$1 + 0 = 1$ (with $C_{OUT} = 0$)
(C_{OUT})	$1 + 1 = 0$ (with $C_{OUT} = 1$)

Idea: These are chained together with a carry-in



1-bit Binary Adder

- **Inputs:** A, B, Carry-in
- **Outputs:** Sum, Carry-out

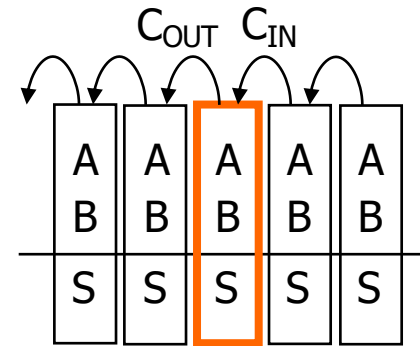


A	B	C _{IN}	C _{OUT}	S
0	0	0	0	0
0	0	1	0	1
0	1	0	0	1
0	1	1	1	0
1	0	0	0	1
1	0	1	1	0
1	1	0	1	0
1	1	1	1	1



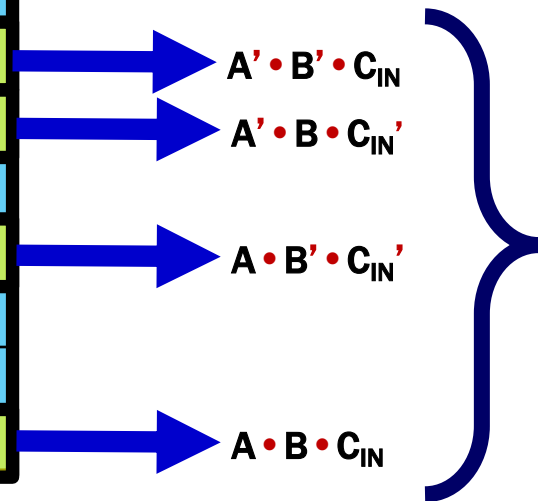
1-bit Binary Adder

- **Inputs:** A, B, Carry-in
- **Outputs:** Sum, Carry-out



A	B	C _{IN}	C _{OUT}	S
0	0	0	0	0
0	0	1	0	1
0	1	0	0	1
0	1	1	1	0
1	0	0	0	1
1	0	1	1	0
1	1	0	1	0
1	1	1	1	1

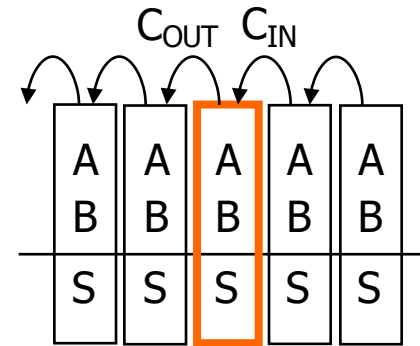
Derive an expression for S



$$S = A' \cdot B' \cdot C_{IN} + A' \cdot B \cdot C_{IN}' + A \cdot B' \cdot C_{IN}' + A \cdot B \cdot C_{IN}$$

1-bit Binary Adder

- **Inputs:** A, B, Carry-in
- **Outputs:** Sum, Carry-out



A	B	C_{IN}	C_{OUT}	S
0	0	0	0	0
0	0	1	0	1
0	1	0	0	1
0	1	1	1	0
1	0	0	0	1
1	0	1	1	0
1	1	0	1	0
1	1	1	1	1

Derive an expression for C_{OUT}

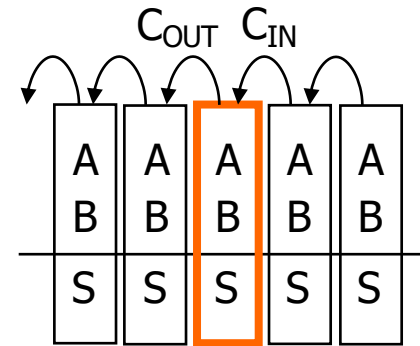
$$C_{OUT} = A' \cdot B \cdot C_{IN} + A \cdot B' \cdot C_{IN} + A \cdot B \cdot C_{IN}' + A \cdot B \cdot C_{IN}$$

The diagram shows four blue arrows pointing from the rows of the truth table to the terms in the expression for C_{OUT} . The first three terms are grouped by a large blue curly brace on the right.

$$S = A' \cdot B' \cdot C_{IN} + A' \cdot B \cdot C_{IN}' + A \cdot B' \cdot C_{IN}' + A \cdot B \cdot C_{IN}$$

1-bit Binary Adder

- **Inputs:** A, B, Carry-in
- **Outputs:** Sum, Carry-out



A	B	C _{IN}	C _{OUT}	S
0	0	0	0	0
0	0	1	0	1
0	1	0	0	1
0	1	1	1	0
1	0	0	0	1
1	0	1	1	0
1	1	0	1	0
1	1	1	1	1

$$S = A' \cdot B' \cdot C_{IN} + A' \cdot B \cdot C_{IN}' + A \cdot B' \cdot C_{IN}' + A \cdot B \cdot C_{IN}$$

$$C_{OUT} = A' \cdot B \cdot C_{IN} + A \cdot B' \cdot C_{IN} + A \cdot B \cdot C_{IN}' + A \cdot B \cdot C_{IN}$$

Apply Theorems to Simplify Expressions

The theorems of Boolean algebra can simplify expressions

– e.g., full adder's carry-out function

$$\begin{aligned} \text{Cout} &= A' B \text{Cin} + A B' \text{Cin} + A B \text{Cin}' + A B \text{Cin} \\ &= A' B \text{Cin} + A B' \text{Cin} + A B \text{Cin}' + A B \text{Cin} + A B \text{Cin} \\ &= A' B \text{Cin} + A B \text{Cin} + A B' \text{Cin} + A B \text{Cin}' + A B \text{Cin} \\ &= (A' + A) B \text{Cin} + A B' \text{Cin} + A B \text{Cin}' + A B \text{Cin} \\ &= (1) B \text{Cin} + A B' \text{Cin} + A B \text{Cin}' + A B \text{Cin} \\ &= B \text{Cin} + A B' \text{Cin} + A B \text{Cin}' + A B \text{Cin} + A B \text{Cin} \\ &= B \text{Cin} + A B' \text{Cin} + A B \text{Cin} + A B \text{Cin}' + A B \text{Cin} \\ &= B \text{Cin} + A (B' + B) \text{Cin} + A B \text{Cin}' + A B \text{Cin} \\ &= B \text{Cin} + A (1) \text{Cin} + A B \text{Cin}' + A B \text{Cin} \\ &= B \text{Cin} + A \text{Cin} + A B (\text{Cin}' + \text{Cin}) \\ &= B \text{Cin} + A \text{Cin} + A B (1) \\ &= B \text{Cin} + A \text{Cin} + A B \end{aligned}$$

Apply Theorems to Simplify Expressions

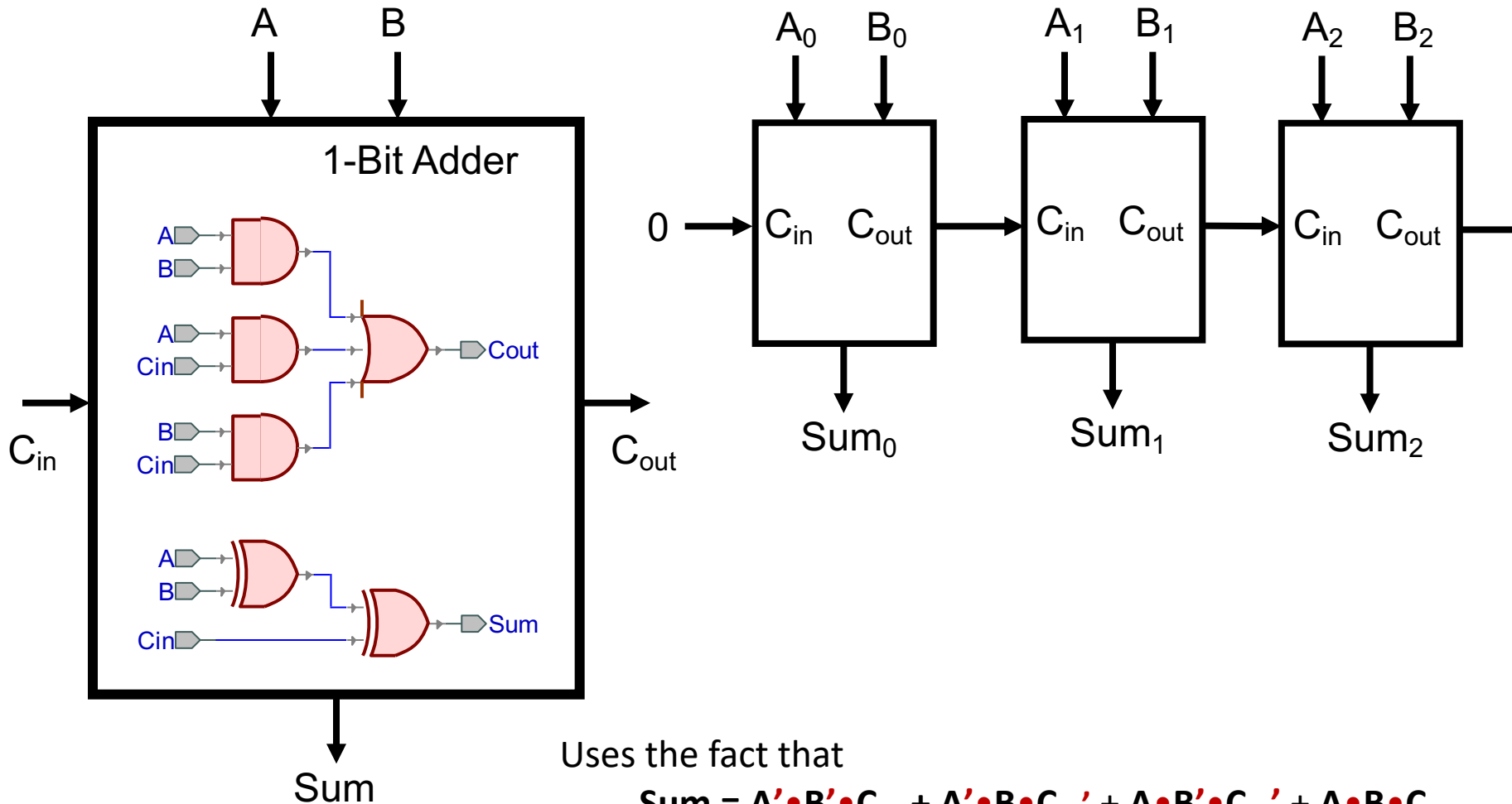
The theorems of Boolean algebra can simplify expressions

– e.g., full adder's carry-out function

$$\begin{aligned} \text{Cout} &= A' B \text{Cin} + A B' \text{Cin} + A B \text{Cin}' + A B \text{Cin} \\ &= A' B \text{Cin} + A B' \text{Cin} + A B \text{Cin}' + \boxed{A B \text{Cin} + A B \text{Cin}} \\ &= A' B \text{Cin} + A B \text{Cin} + A B' \text{Cin} + A B \text{Cin}' + A B \text{Cin} \\ &= (A' + A) B \text{Cin} + A B' \text{Cin} + A B \text{Cin}' + A B \text{Cin} \\ &= (1) B \text{Cin} + A B' \text{Cin} + A B \text{Cin}' + A B \text{Cin} \\ &= B \text{Cin} + A B' \text{Cin} + A B \text{Cin}' + \boxed{A B \text{Cin} + A B \text{Cin}} \\ &= B \text{Cin} + A B' \text{Cin} + A B \text{Cin} + A B \text{Cin}' + A B \text{Cin} \\ &= B \text{Cin} + A (B' + B) \text{Cin} + A B \text{Cin}' + A B \text{Cin} \\ &= B \text{Cin} + A (1) \text{Cin} + A B \text{Cin}' + A B \text{Cin} \\ &= B \text{Cin} + A \text{Cin} + A B (\text{Cin}' + \text{Cin}) \\ &= B \text{Cin} + A \text{Cin} + A B (1) \\ &= B \text{Cin} + A \text{Cin} + A B \end{aligned}$$

adding extra terms
creates new factoring
opportunities

A 2-bit Ripple-Carry Adder



Uses the fact that

$$\text{Sum} = A' \cdot B' \cdot C_{IN} + A' \cdot B \cdot C_{IN}' + A \cdot B' \cdot C_{IN}' + A \cdot B \cdot C_{IN}$$

is equivalent to $\text{Sum} = (A \oplus B) \oplus C_{IN}$

Mapping Truth Tables to Logic Gates

Given a truth table:

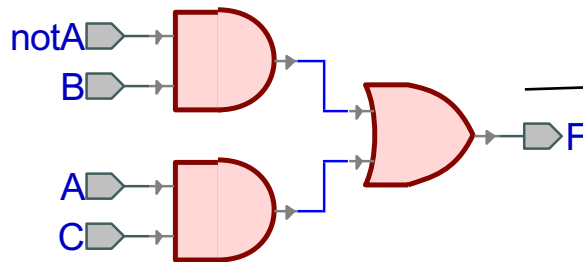
1. Write the output in a table
2. Write the Boolean expression
3. Minimize the Boolean expression
4. Draw as gates
5. Map to available gates

A	B	C	F
0	0	0	0
0	0	1	0
0	1	0	1
0	1	1	1
1	0	0	0
1	0	1	1
1	1	0	0
1	1	1	1

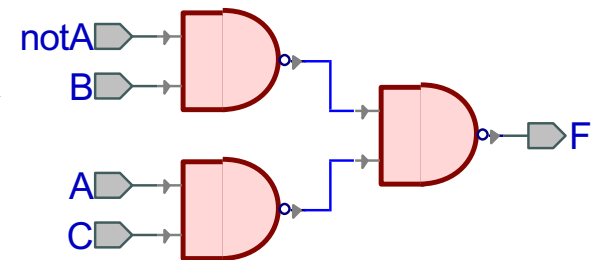
(3) ↓

$$\begin{aligned} F &= A'BC' + A'BC + AB'C + ABC \\ &= A'B(C' + C) + AC(B' + B) \\ &= A'B + AC \end{aligned}$$

(4) ↘



(5) →



Canonical Forms

- **Truth table is the unique signature of a 0/1 function**
- **The same truth table can have many gate realizations**
 - We've seen this already
 - Depends on how good we are at Boolean simplification
- **Canonical forms**
 - Standard forms for a Boolean expression
 - We all produce the same expression

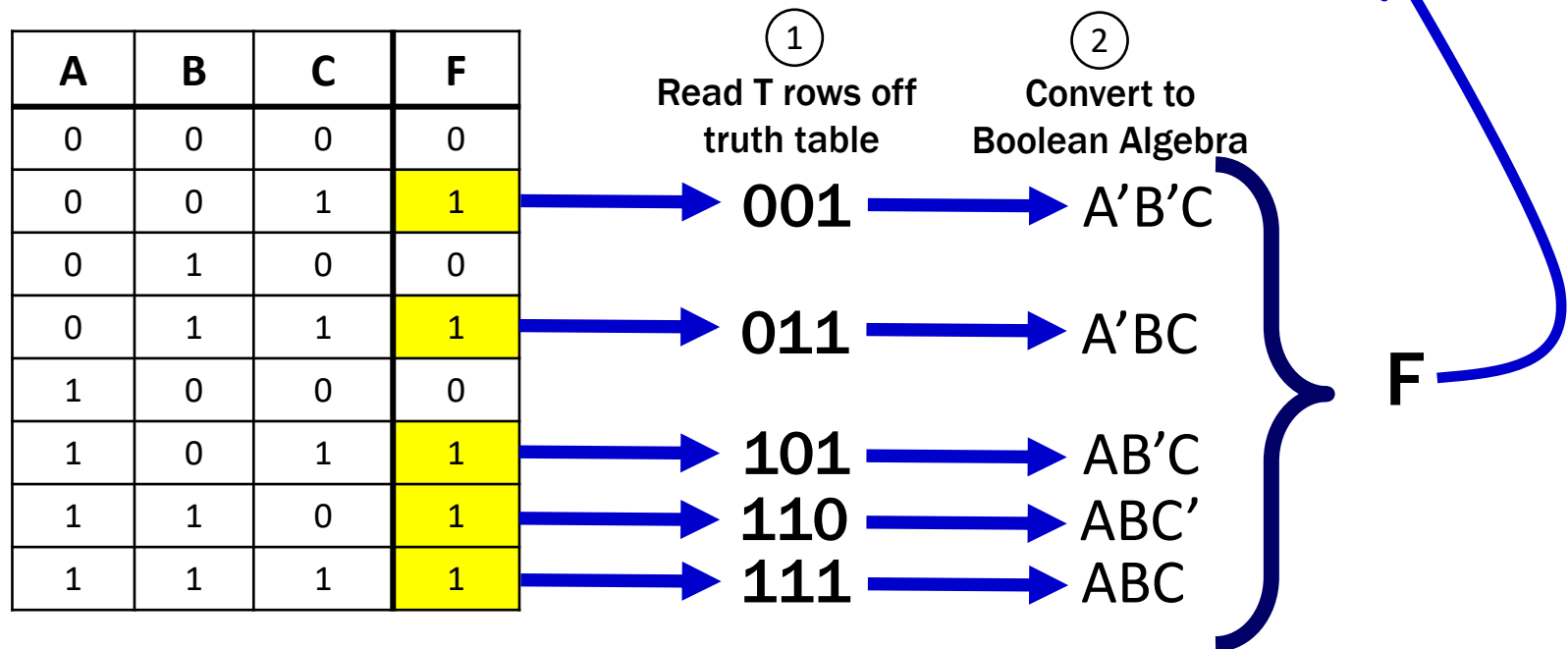
Sum-of-Products Canonical Form

- AKA **Disjunctive Normal Form (DNF)**
- AKA **Minterm Expansion**

③

Add the minterms together

$$F = A'B'C + A'BC + AB'C + ABC' + ABC$$



Sum-of-Products Canonical Form

Product term (or minterm)

- ANDed product of literals – input combination for which output is true
- each variable appears exactly once, true or inverted (but not both)

A	B	C	minterms
0	0	0	$A'B'C'$
0	0	1	$A'B'C$
0	1	0	$A'BC'$
0	1	1	$A'BC$
1	0	0	$AB'C'$
1	0	1	$AB'C$
1	1	0	ABC'
1	1	1	ABC

F in canonical form:

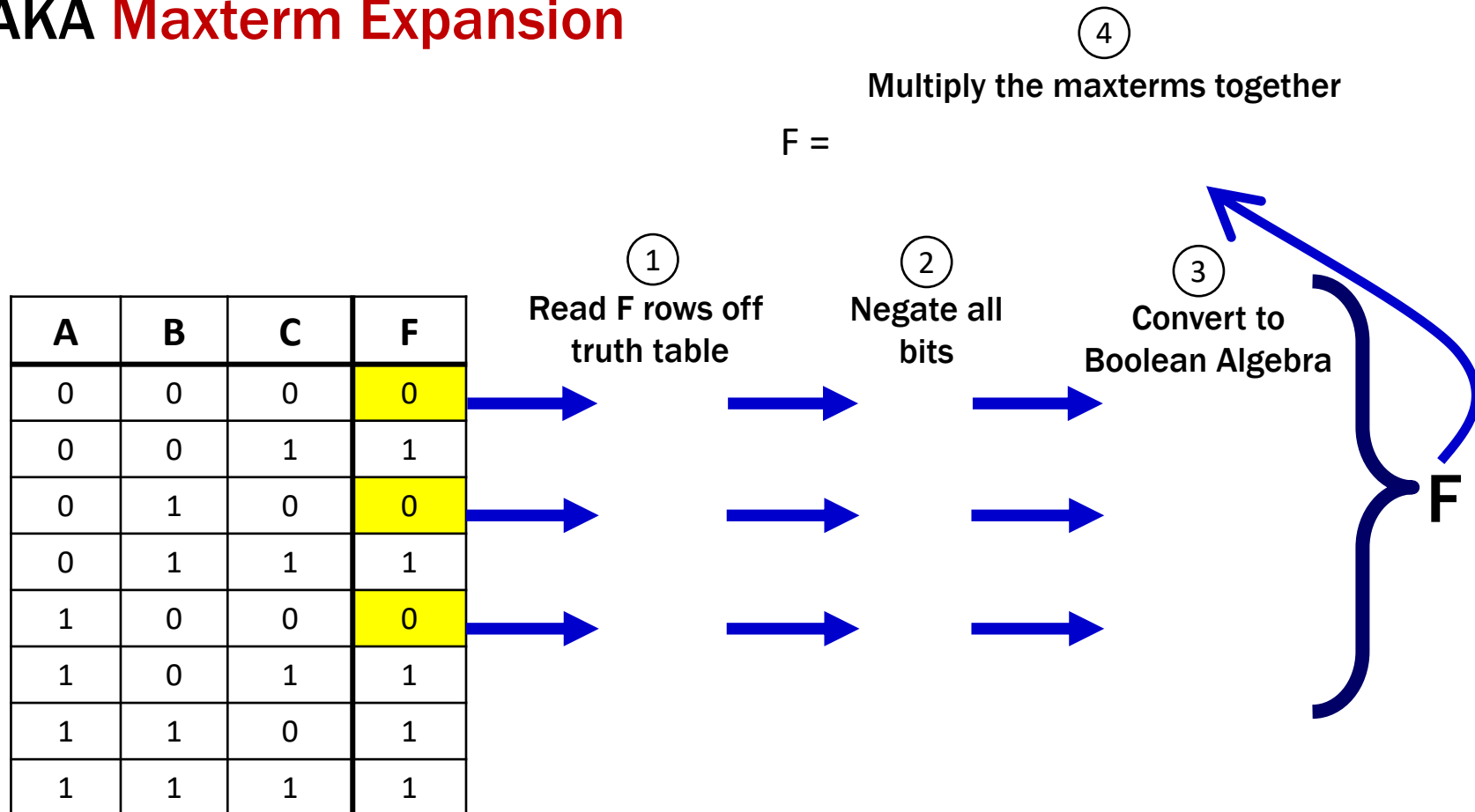
$$F(A, B, C) = A'B'C + A'BC + AB'C + ABC' + ABC$$

canonical form \neq minimal form

$$\begin{aligned} F(A, B, C) &= A'B'C + A'BC + AB'C + ABC + ABC' \\ &= (A'B' + A'B + AB' + AB)C + ABC' \\ &= ((A' + A)(B' + B))C + ABC' \\ &= C + ABC' \\ &= ABC' + C \\ &= AB + C \end{aligned}$$

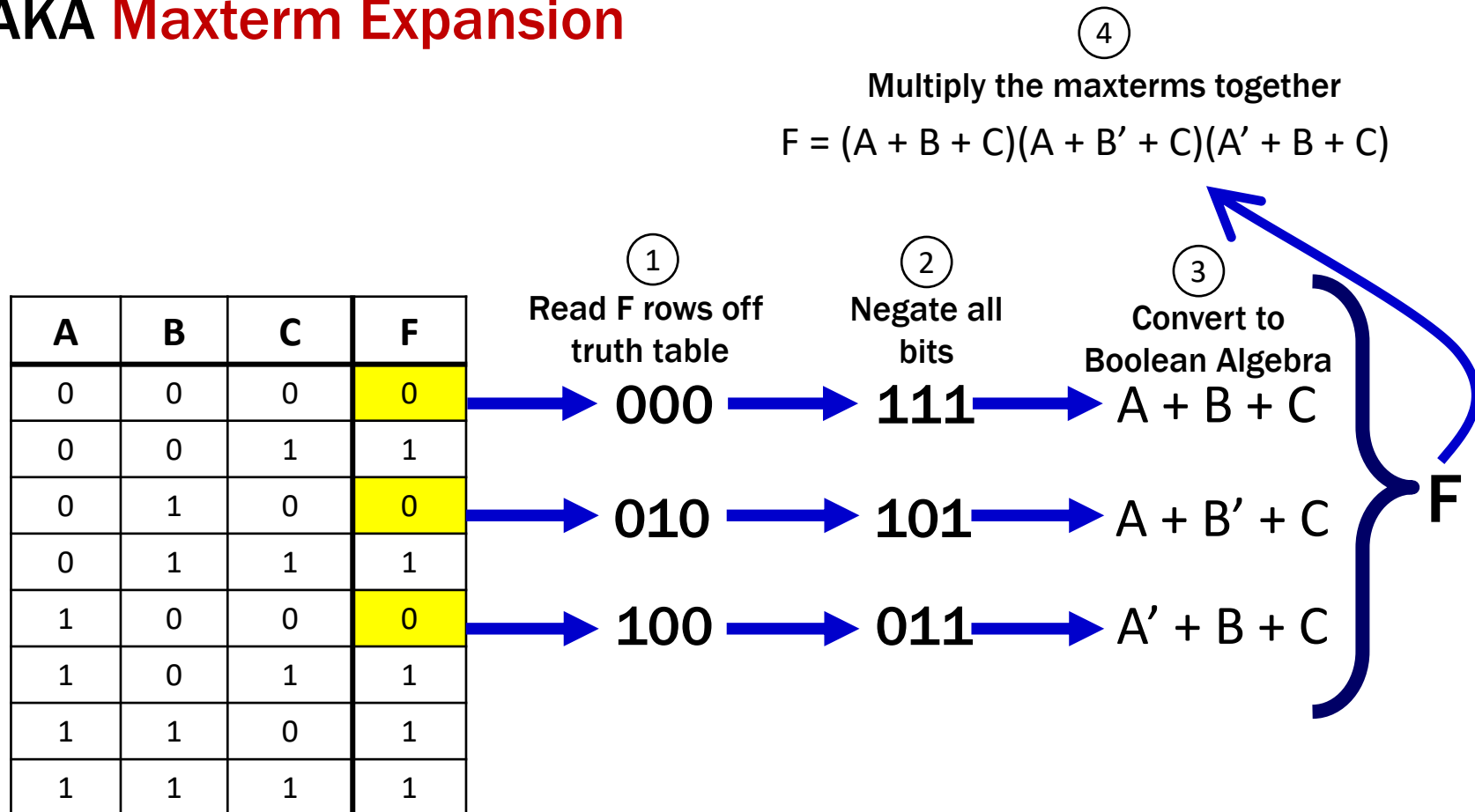
Product-of-Sums Canonical Form

- AKA **Conjunctive Normal Form (CNF)**
- AKA **Maxterm Expansion**



Product-of-Sums Canonical Form

- AKA **Conjunctive Normal Form (CNF)**
- AKA **Maxterm Expansion**



Product-of-Sums: Why does this procedure work?

Useful Facts:

- We know $(F')' = F$
- We know how to get a **minterm** expansion for F'

A	B	C	F
0	0	0	0
0	0	1	1
0	1	0	0
0	1	1	1
1	0	0	0
1	0	1	1
1	1	0	1
1	1	1	1


$$F' = A'B'C' + A'BC' + AB'C'$$

Product-of-Sums: Why does this procedure work?

Useful Facts:

- We know $(F')' = F$
- We know how to get a minterm expansion for F'

A	B	C	F
0	0	0	0
0	0	1	1
0	1	0	0
0	1	1	1
1	0	0	0
1	0	1	1
1	1	0	1
1	1	1	1


$$F' = A'B'C' + A'BC' + AB'C'$$

Taking the complement of both sides...

$$(F')' = (A'B'C' + A'BC' + AB'C')'$$

And using DeMorgan/Comp....

$$F = (A'B'C')' (A'BC')' (AB'C')'$$

$$F = (A + B + C)(A + B' + C)(A' + B + C)$$

Product-of-Sums Canonical Form

Sum term (or maxterm)

- ORed sum of literals – input combination for which output is false
- each variable appears exactly once, true or inverted (but not both)

A	B	C	maxterms
0	0	0	$A+B+C$
0	0	1	$A+B+C'$
0	1	0	$A+B'+C$
0	1	1	$A+B'+C'$
1	0	0	$A'+B+C$
1	0	1	$A'+B+C'$
1	1	0	$A'+B'+C$
1	1	1	$A'+B'+C'$

F in canonical form:

$$F(A, B, C) = (A + B + C) (A + B' + C) (A' + B + C)$$

canonical form \neq minimal form

$$\begin{aligned} F(A, B, C) &= (A + B + C) (A + B' + C) (A' + B + C) \\ &= (A + B + C) (A + B' + C) \\ &\quad (A + B + C) (A' + B + C) \\ &= (A + C) (B + C) \end{aligned}$$