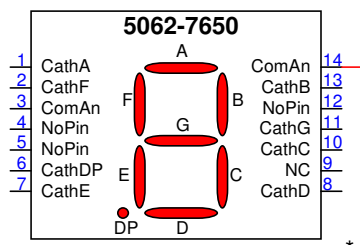
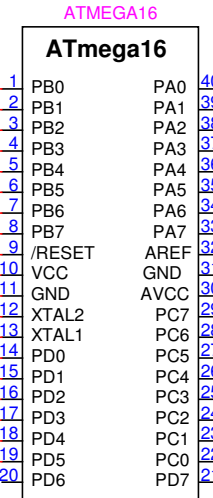


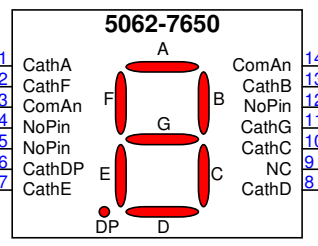
# CSEP567 Lab



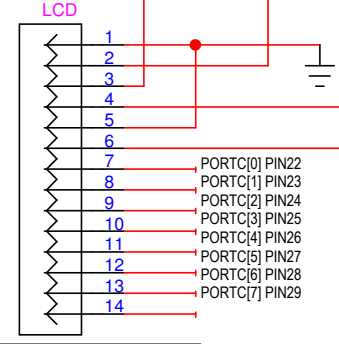
\* Pull-up Resistors; What value? (check the data-sheet)



Current-limiting Resistor



\* Pull-up Resistors; What value? (check the data-sheet)



LCD Pin	Name	Function
1	GND	0 V
2	Vdd	5 V
3	Vo	~1 V (contrast cntl)
4	RS	High: Data input Low: Instruction input
5	R/W	Low: Write to LCD
6	E	Enable the LCD
7	DB0	Data bus
8	DB1	
9	DB2	
10	DB3	
11	DB4	
12	DB5	
13	DB6	
14	DB7	

