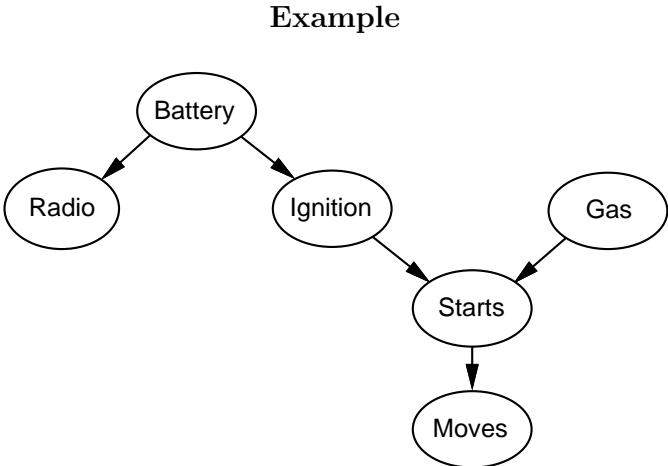
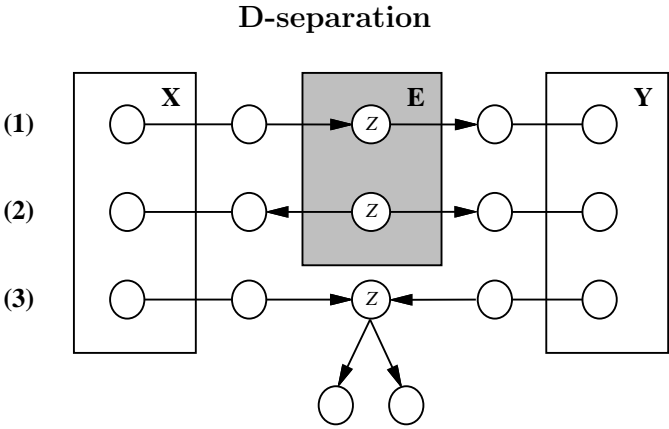


UNCERTAINTY

D-separation

- **Q:** When are nodes X independent of nodes Y given nodes E ?
- **A:** When every undirected path from a node in X to a node in Y is **d-separated** by E .



- Gas and Radio are:**
- Independent given Ignition
 - Independent given Battery
 - Independent given no evidence
 - Dependent given Starts
 - Dependent given Moves