

CSE 484: Computer Security and Privacy

Cryptography

[Symmetric Encryption]

Winter 2021

David Kohlbrenner

dkohlbre@cs.washington.edu

Thanks to Franz Roesner, Dan Boneh, Dieter Gollmann, Dan Halperin, Yoshi Kohno, Ada Lerner, John Manferdelli, John Mitchell, Vitaly Shmatikov, Bennet Yee, and many others for sample slides and materials

...

Admin

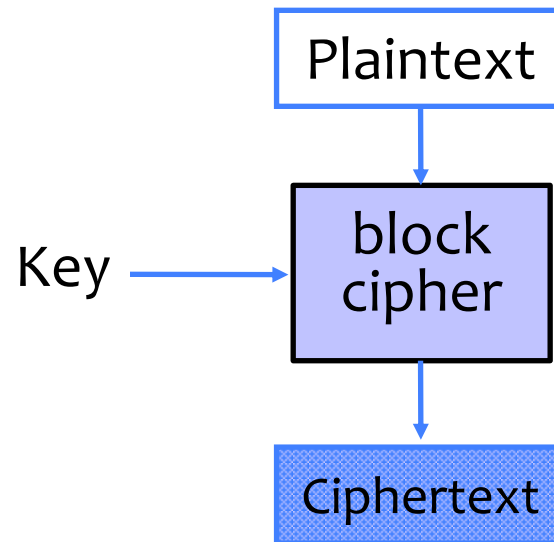
- Lab 1 ongoing
- Homework 2 (crypto) will be out soon
 - Due on 2/10 (designed to give you hands-on experience with crypto concepts, not be tricky – not intended to take you a full 2 weeks)
- Watching the recording? Please fill out: <https://forms.gle/5qoJSfxap3mmBsJk6>

Reducing Key Size

- What to do when it is infeasible to pre-share huge random keys?
 - When one-time pad is unrealistic...
- Use special cryptographic primitives: block ciphers, stream ciphers
 - Single key can be re-used (with some restrictions)
 - Not as theoretically secure as one-time pad

Block Ciphers

- Operates on a single chunk (“block”) of plaintext
 - For example, 64 bits for DES, 128 bits for AES
 - Each key defines a different permutation
 - Same key is reused for each block (can use short keys)



Keyed Permutation

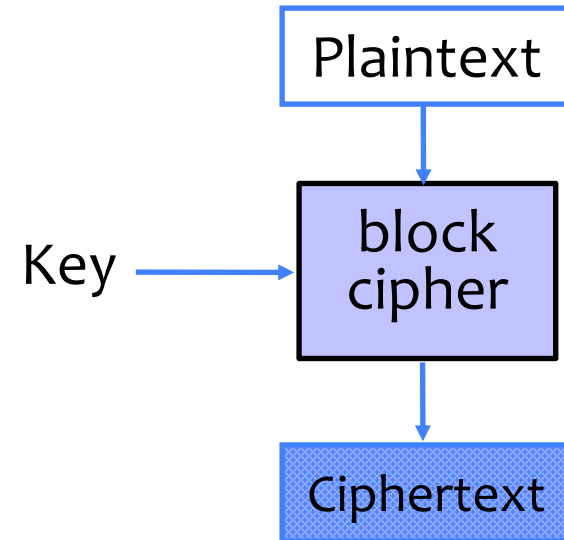
input	possible output	possible output	etc.
000	010	111	...
001	111	110	...
010	101	000	...
011	110	101	...
...
111	000	110	...

Key = 00
Key = 01

For N-bit input, $2^N!$ possible permutations
For K-bit key, 2^K possible keys

Keyed Permutation

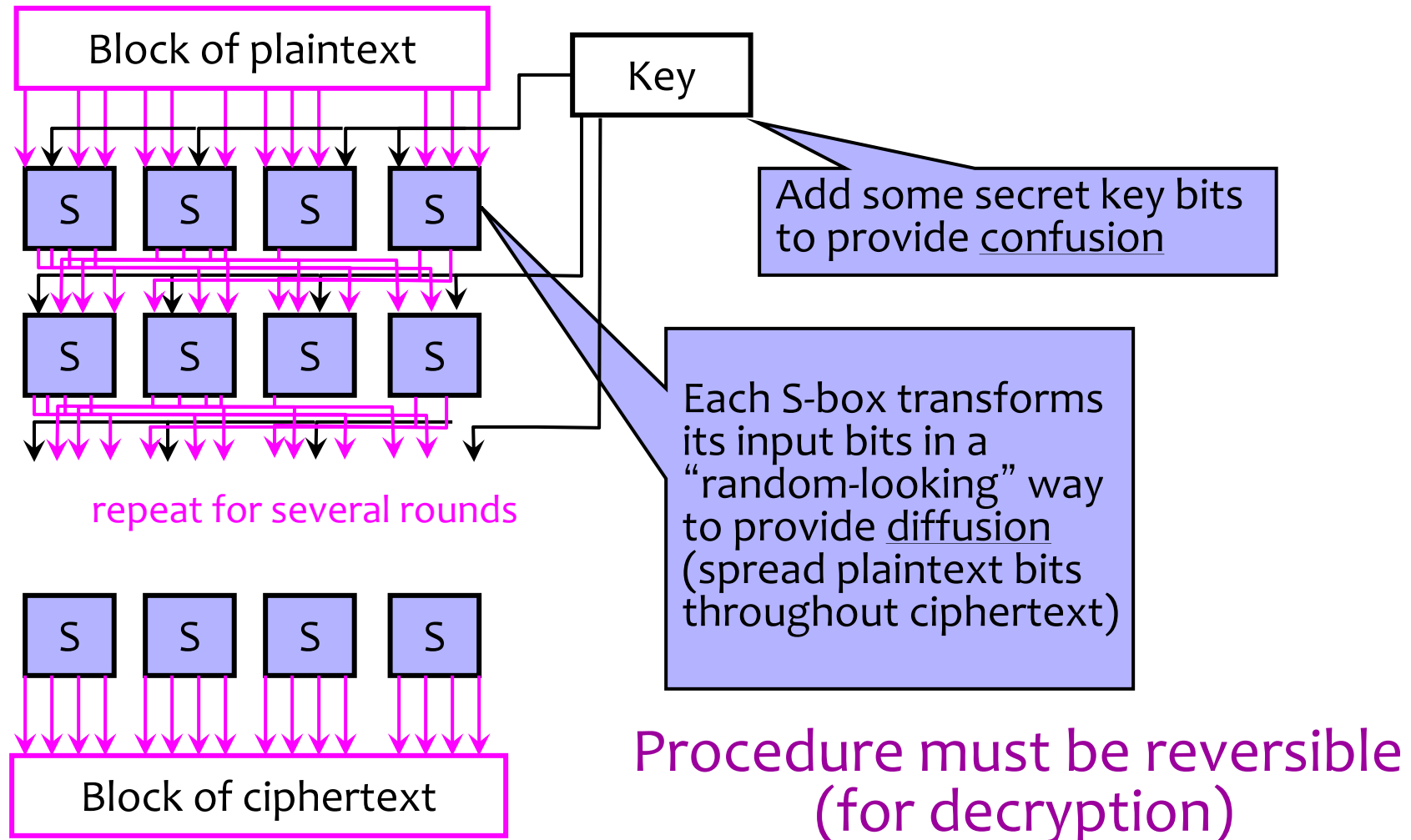
- **Not just shuffling of input bits!**
 - Suppose plaintext = “111”.
 - Then “111” is not the only possible ciphertext!
- Instead:
 - **Permutation of possible outputs**
 - Use secret key to pick a permutation



Block Cipher Security

- Result should look like a random permutation on the inputs
 - Recall: not just shuffling bits. N -bit block cipher permutes over 2^N inputs.
- Only computational guarantee of secrecy
 - Not impossible to break, just very expensive
 - If there is no efficient algorithm (unproven assumption!), then can only break by brute-force, try-every-possible-key search
 - Time and cost of breaking the cipher exceed the value and/or useful lifetime of protected information

Block Cipher Operation (Simplified)



Standard Block Ciphers

- **DES: Data Encryption Standard**
 - Feistel structure: builds invertible function using non-invertible ones
 - Invented by IBM, issued as federal standard in 1977
 - 64-bit blocks, 56-bit key + 8 bits for parity

DES and 56 bit keys

- 56 bit keys are quite short

Key Size (bits)	Number of Alternative Keys	Time required at 1 encryption/ μ s	Time required at 10^6 encryptions/ μ s
32	$2^{32} = 4.3 \times 10^9$	$2^{31} \mu s = 35.8$ minutes	2.15 milliseconds
56	$2^{56} = 7.2 \times 10^{16}$	$2^{55} \mu s = 1142$ years	10.01 hours
128	$2^{128} = 3.4 \times 10^{38}$	$2^{127} \mu s = 5.4 \times 10^{24}$ years	5.4×10^{18} years
168	$2^{168} = 3.7 \times 10^{50}$	$2^{167} \mu s = 5.9 \times 10^{36}$ years	5.9×10^{30} years
26 characters (permutation)	$26! = 4 \times 10^{26}$	$2 \times 10^{26} \mu s = 6.4 \times 10^{12}$ years	6.4×10^6 years

- 1999: EFF DES Crack + distributed machines
 - < 24 hours to find DES key
- DES ---> 3DES
 - 3DES: DES + inverse DES + DES (with 2 or 3 diff keys)

But wait... what about *2DES*?

- Meet-in-the-middle attack

Defining the strength of a scheme

- *Effective Key Strength*
 - Amount of 'work' the adversary needs to do
- **DES**: 56-bits
 - 2^{56} encryptions to try 'all keys'
- **2DES**: 57-bits
 - $2 \cdot (2^{56})$ encryptions = 2^{57}
- **3DES**: 112-bits (or sometimes 80-bits)
 - Meet-in-the-middle + more work = 2^{112} (for 3 keys, e.g. K1, K2, K3)
 - Various attacks = 2^{80} (for 2 keys, e.g. K1, K2, K1)

Standard Block Ciphers

- **DES: Data Encryption Standard**

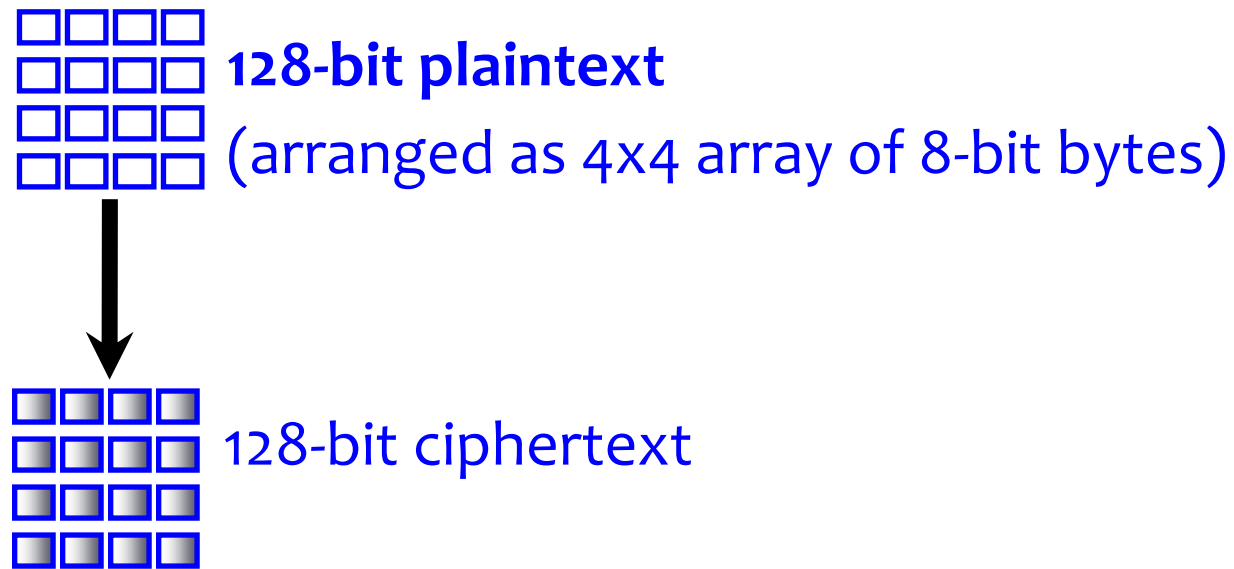
- Feistel structure: builds invertible function using non-invertible ones
- Invented by IBM, issued as federal standard in 1977
- 64-bit blocks, 56-bit key + 8 bits for parity

- **AES: Advanced Encryption Standard**

- New federal standard as of 2001
 - NIST: National Institute of Standards & Technology
- Based on the Rijndael algorithm
 - Selected via an open process
- 128-bit blocks, keys can be 128, 192 or 256 bits

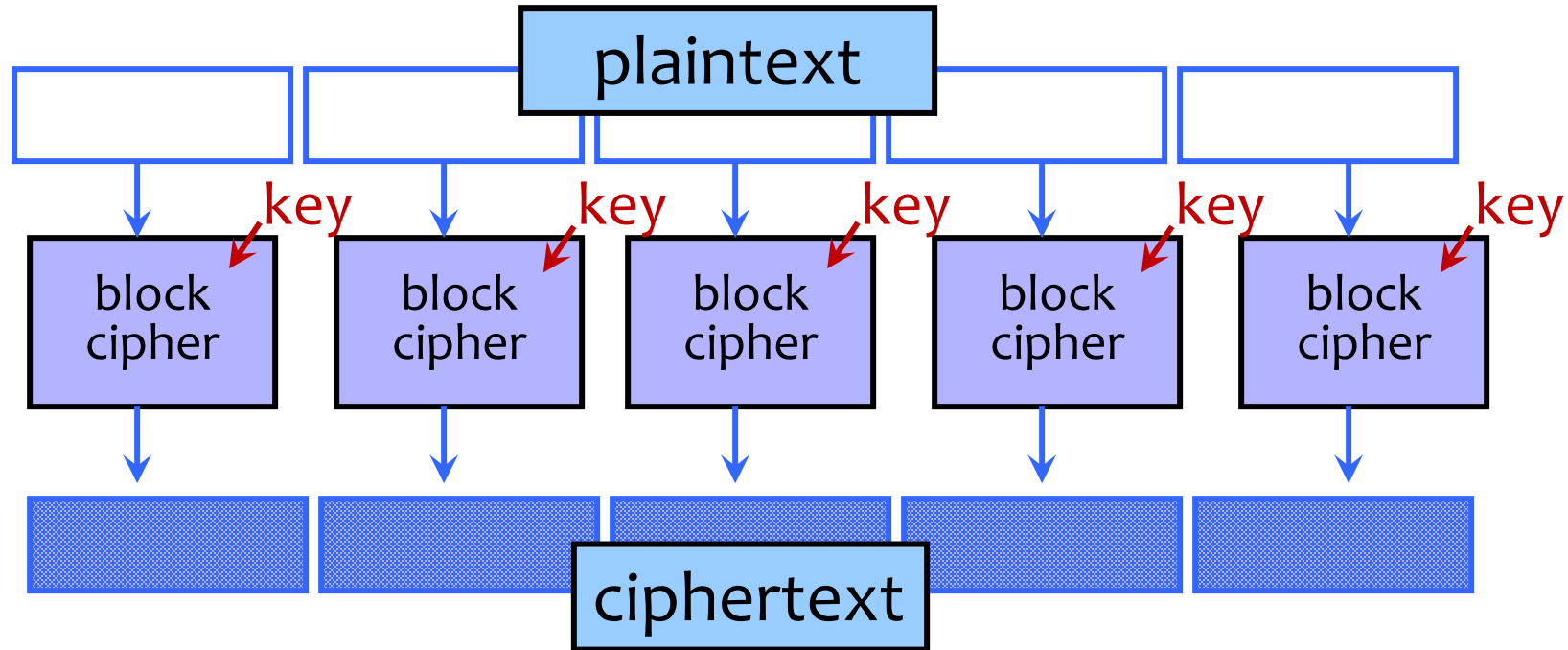
Encrypting a Large Message

- So, we've got a good block cipher, but our plaintext is larger than 128-bit block size

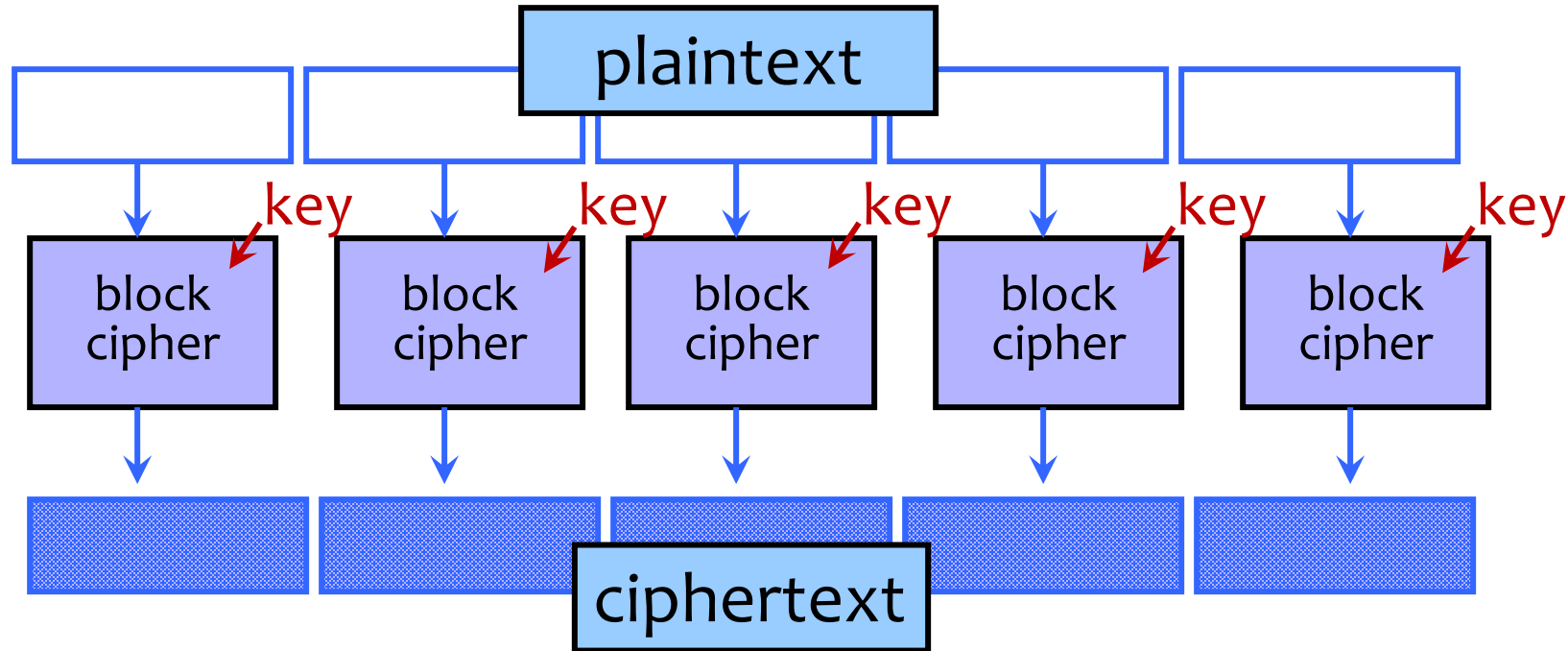


- What should we do?

Electronic Code Book (ECB) Mode

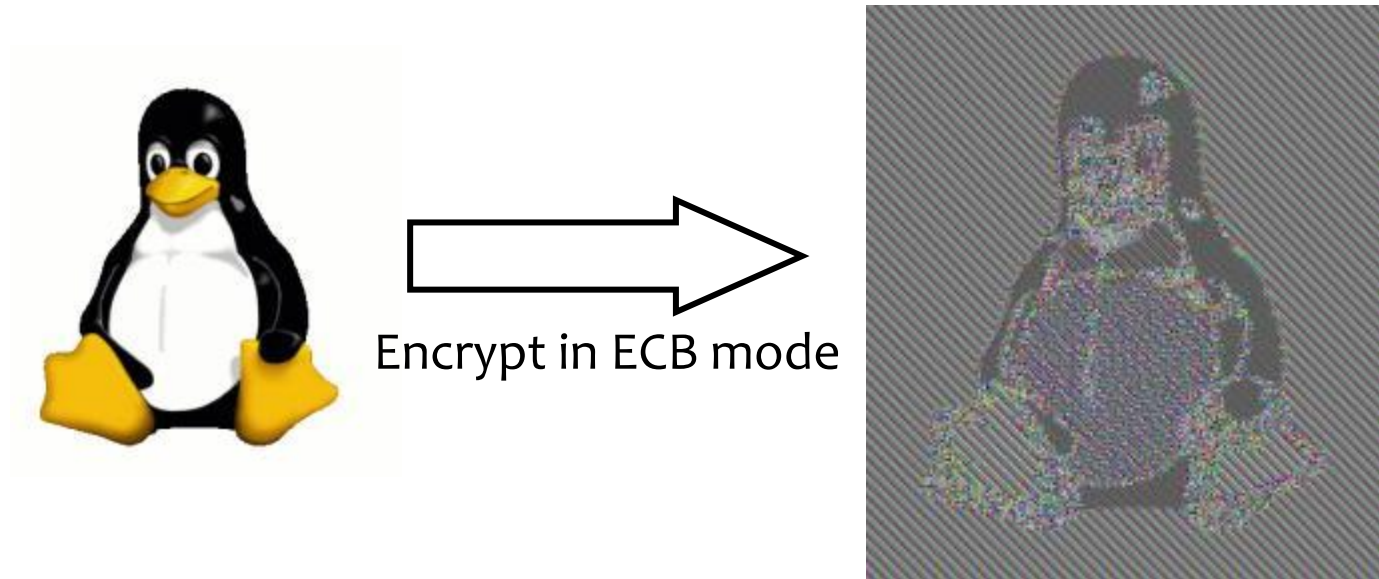


Electronic Code Book (ECB) Mode



- Identical blocks of plaintext produce identical blocks of ciphertext
- No integrity checks: can mix and match blocks

Information Leakage in ECB Mode



[Wikipedia]

Oops

Move Fast and Roll Your Own Crypto **A Quick Look at the Confidentiality of Zoom Meetings**

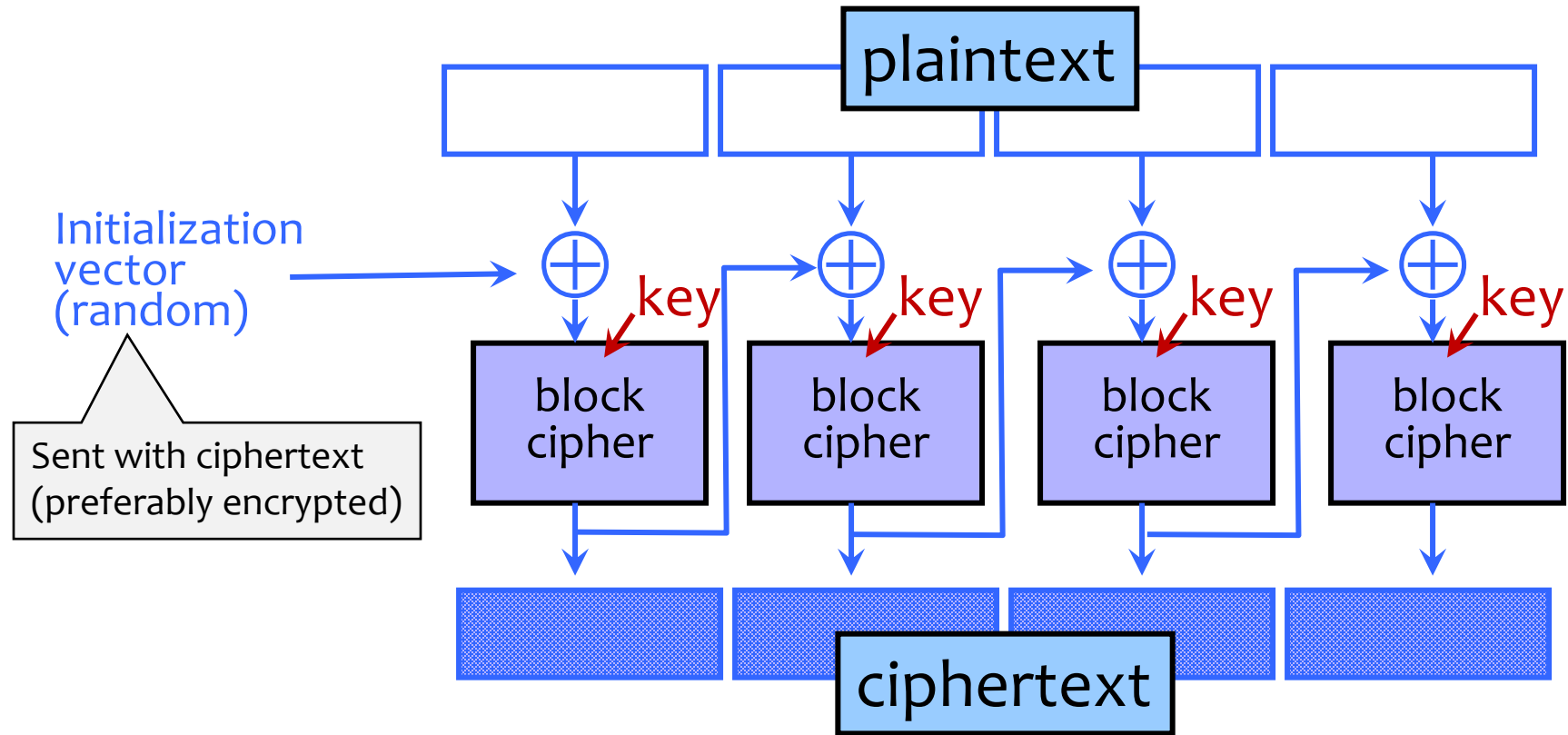
By **Bill Marczak and John Scott-Railton**

April 3, 2020

- Zoom [documentation](#) claims that the app uses “AES-256” encryption for meetings where possible. However, we find that in each Zoom meeting, a single AES-128 key is used in ECB mode by all participants to encrypt and decrypt audio and video. The use of ECB mode is not recommended because patterns present in the plaintext are preserved during encryption.

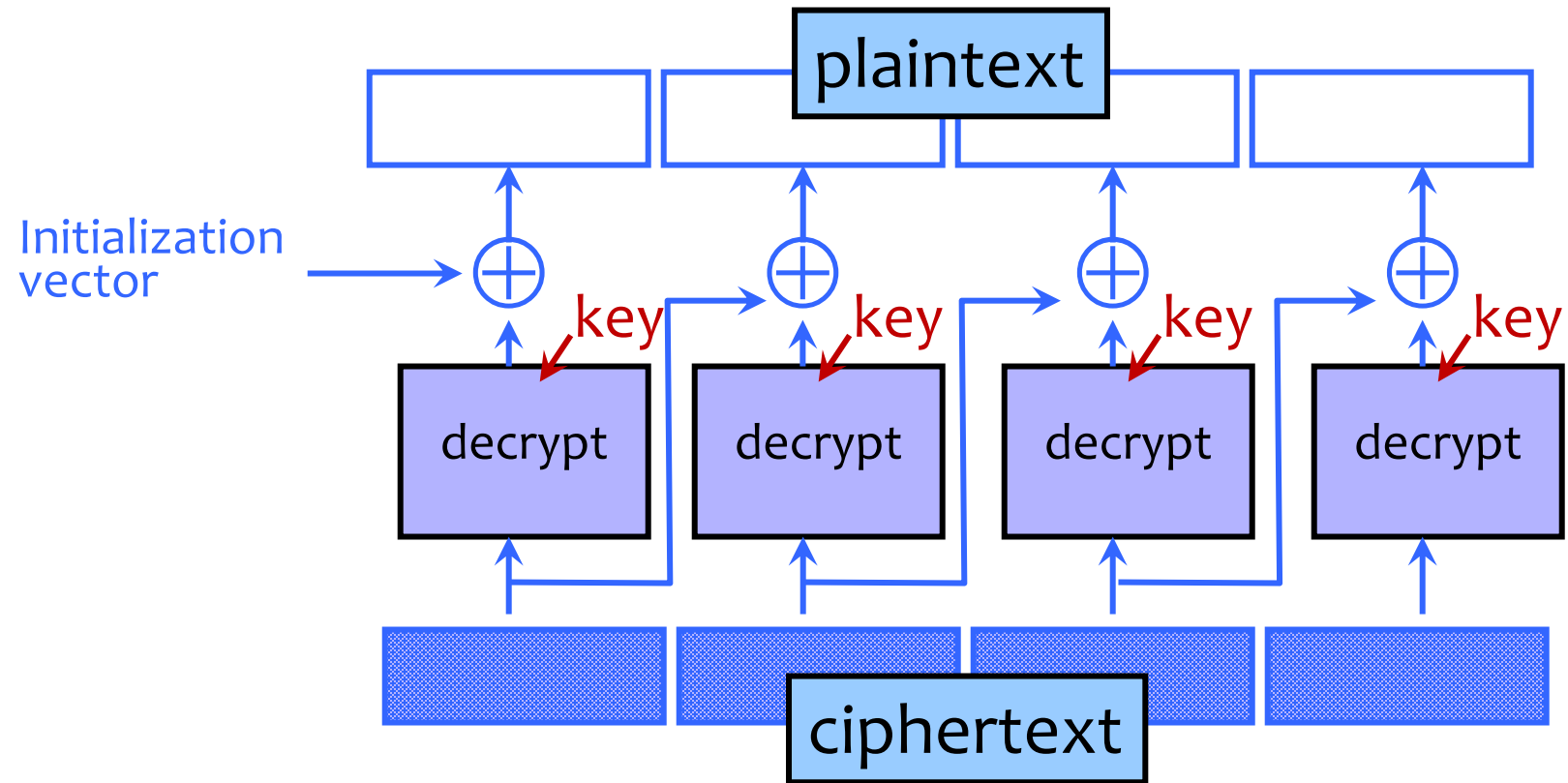
<https://citizenlab.ca/2020/04/move-fast-roll-your-own-crypto-a-quick-look-at-the-confidentiality-of-zoom-meetings/>

Cipher Block Chaining (CBC) Mode: Encryption

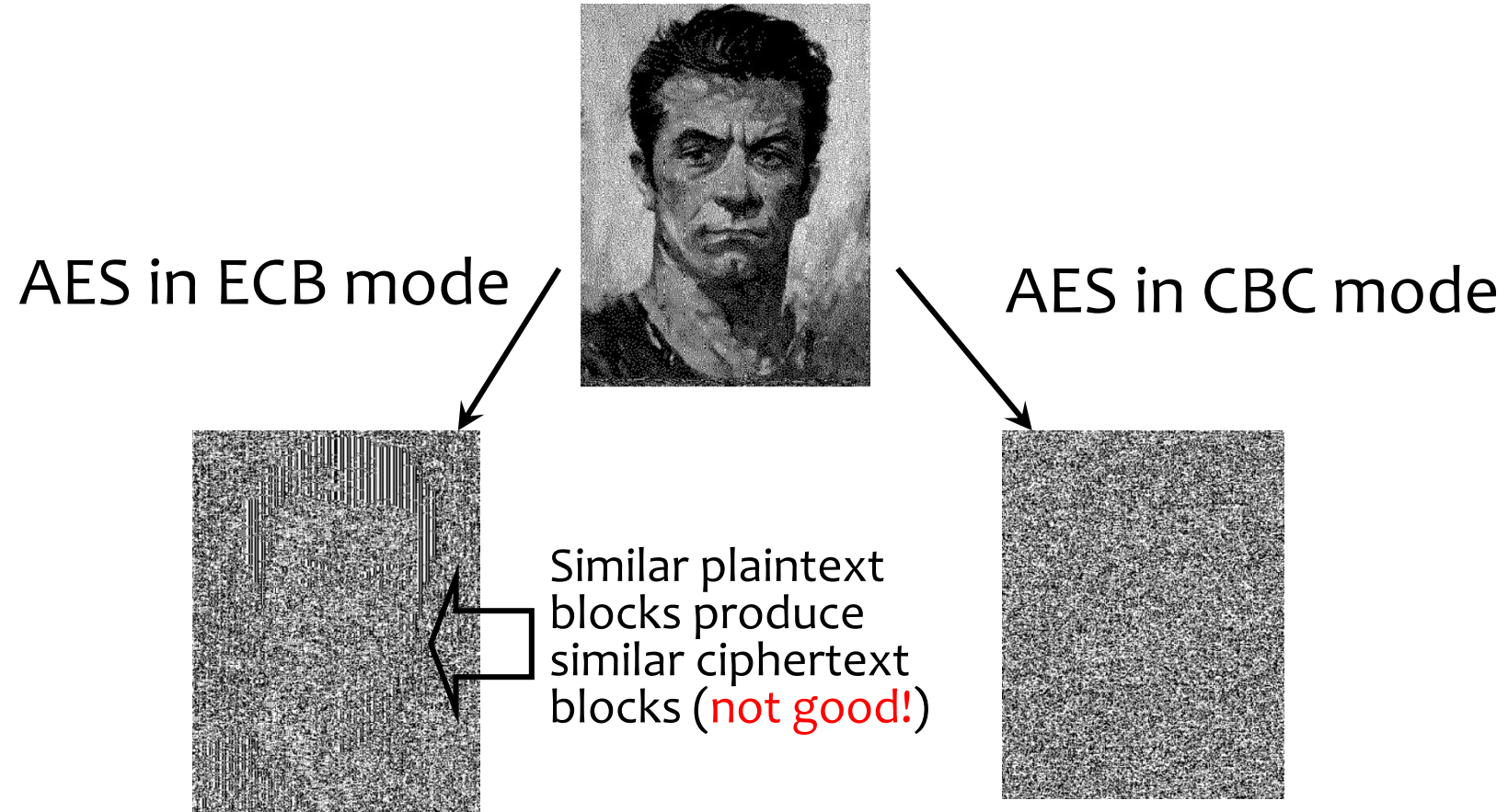


- Identical blocks of plaintext encrypted differently
- Last cipherblock depends on entire plaintext
 - Still does not guarantee integrity

CBC Mode: Decryption

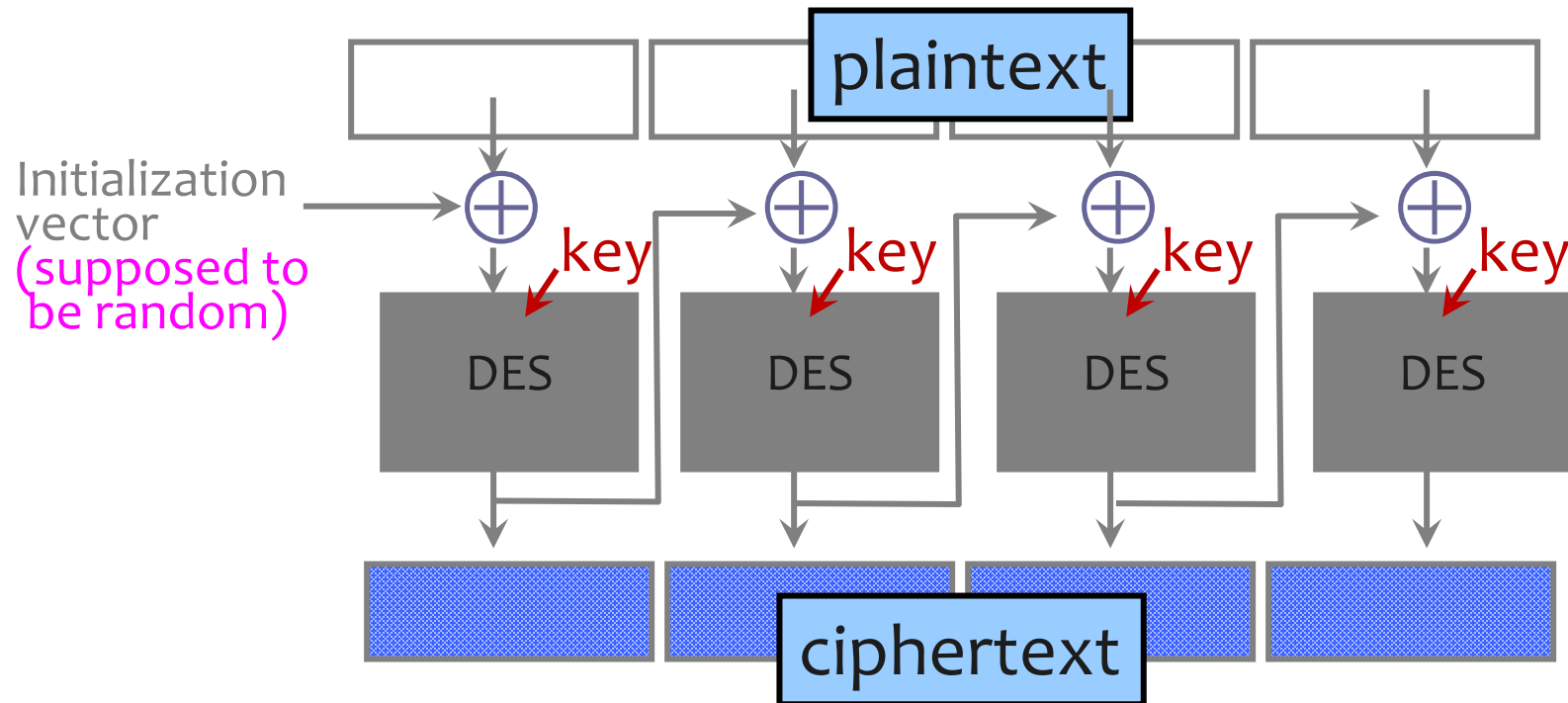


ECB vs. CBC



[Picture due to Bart Preneel]

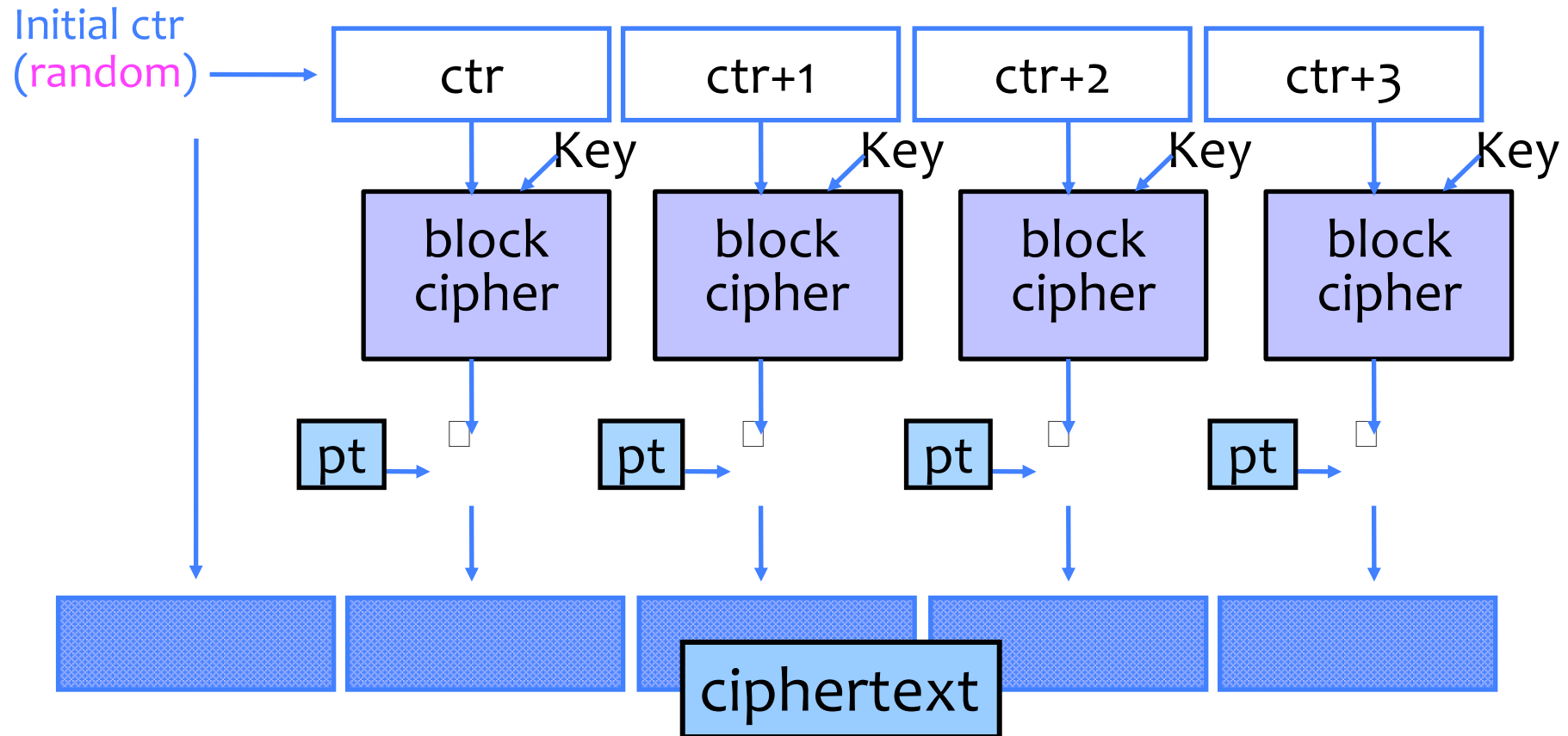
Initialization Vector Dangers



Found in the source code for Diebold voting machines:

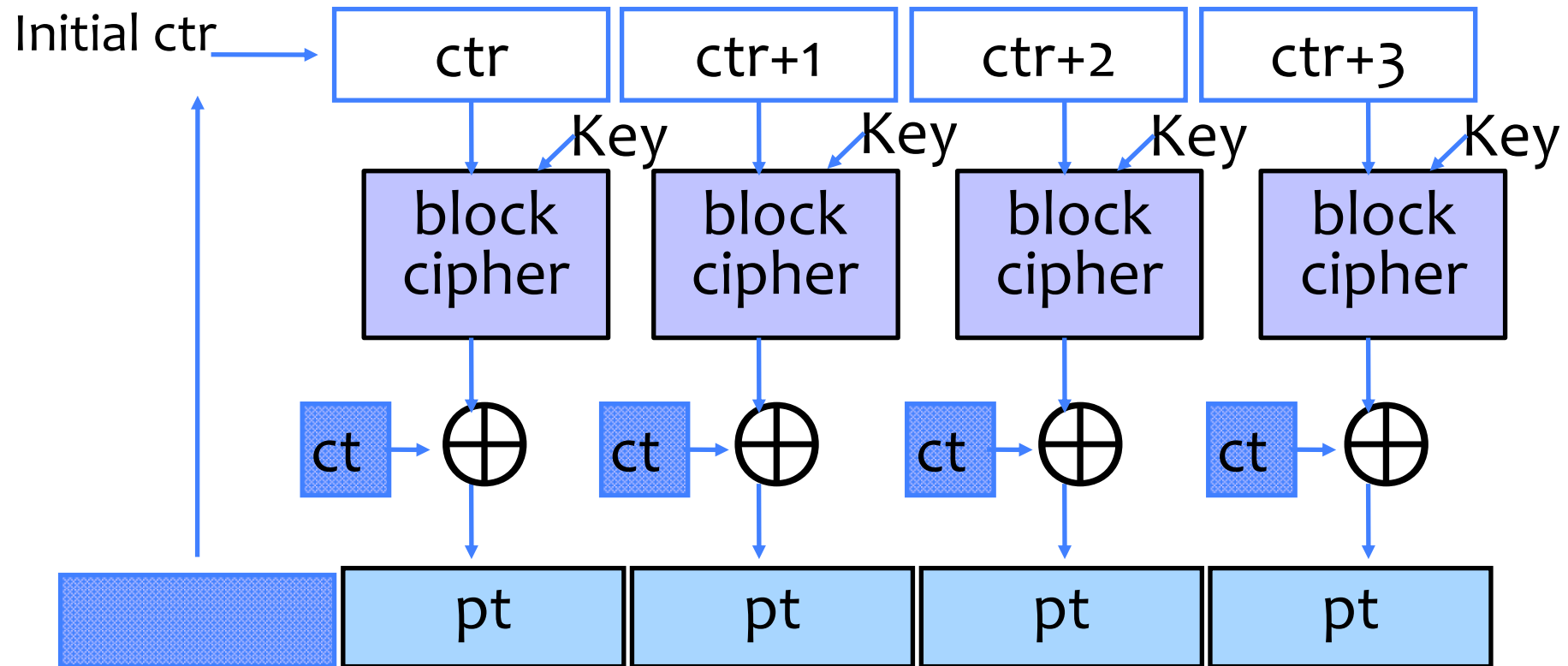
```
DesCBCEncrypt((des_c_block*)tmp, (des_c_block*)record.m_Data,  
             totalSize, DESKEY, NULL, DES_ENCRYPT)
```

Counter Mode (CTR): Encryption



- Identical blocks of plaintext encrypted differently
- Still does not guarantee integrity; Fragile if ctr repeats

Counter Mode (CTR): Decryption



Ok, so what mode do I use?

- Don't choose a mode, use established libraries 😊
- Good modes:
 - GCM - Galois/Counter Mode
 - CTR (sometimes)

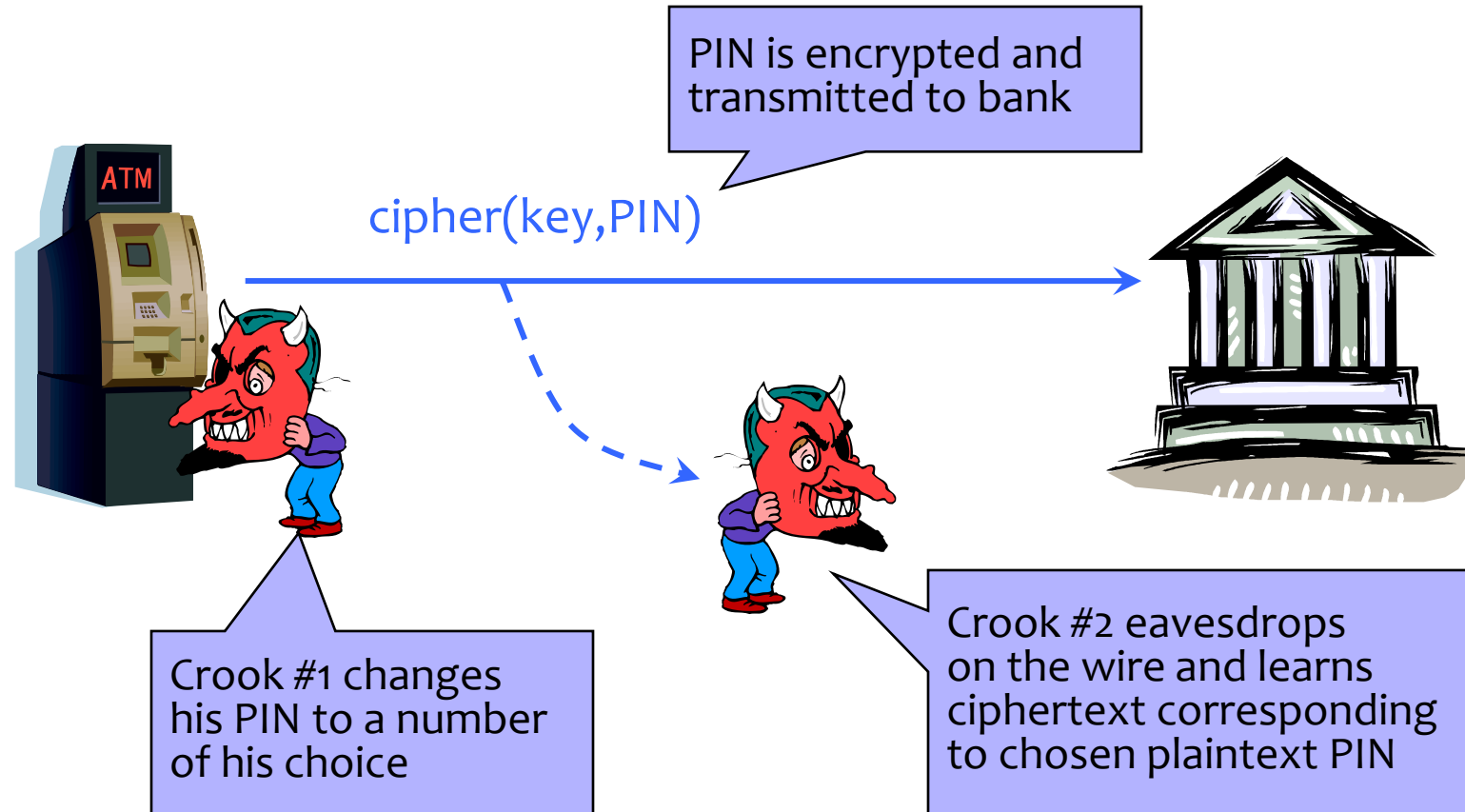
When is an Encryption Scheme “Secure”?

- Hard to recover the key?
 - What if attacker can learn plaintext without learning the key?
- Hard to recover plaintext from ciphertext?
 - What if attacker learns some bits or some function of bits?

How Can a Cipher Be Attacked?

- Attackers knows ciphertext and encryption alghth
 - **What else does the attacker know?** Depends on the application in which the cipher is used!
- **Ciphertext-only attack**
- **KPA: Known-plaintext attack** (stronger)
 - Knows some plaintext-ciphertext pairs
- **CPA: Chosen-plaintext attack** (even stronger)
 - Can obtain ciphertext for any plaintext of choice
- **CCA: Chosen-ciphertext attack** (very strong)
 - Can decrypt any ciphertext except the target

Chosen Plaintext Attack



... repeat for any PIN value

Very Informal Intuition

Minimum security requirement for a modern encryption scheme

- Security against chosen-plaintext attack (CPA)
 - Ciphertext leaks no information about the plaintext
 - Even if the attacker correctly guesses the plaintext, he cannot verify his guess
 - Every ciphertext is unique, encrypting same message twice produces completely different ciphertexts
 - Implication: encryption must be randomized or stateful
- Security against chosen-ciphertext attack (CCA)
 - Integrity protection – it is not possible to change the plaintext by modifying the ciphertext