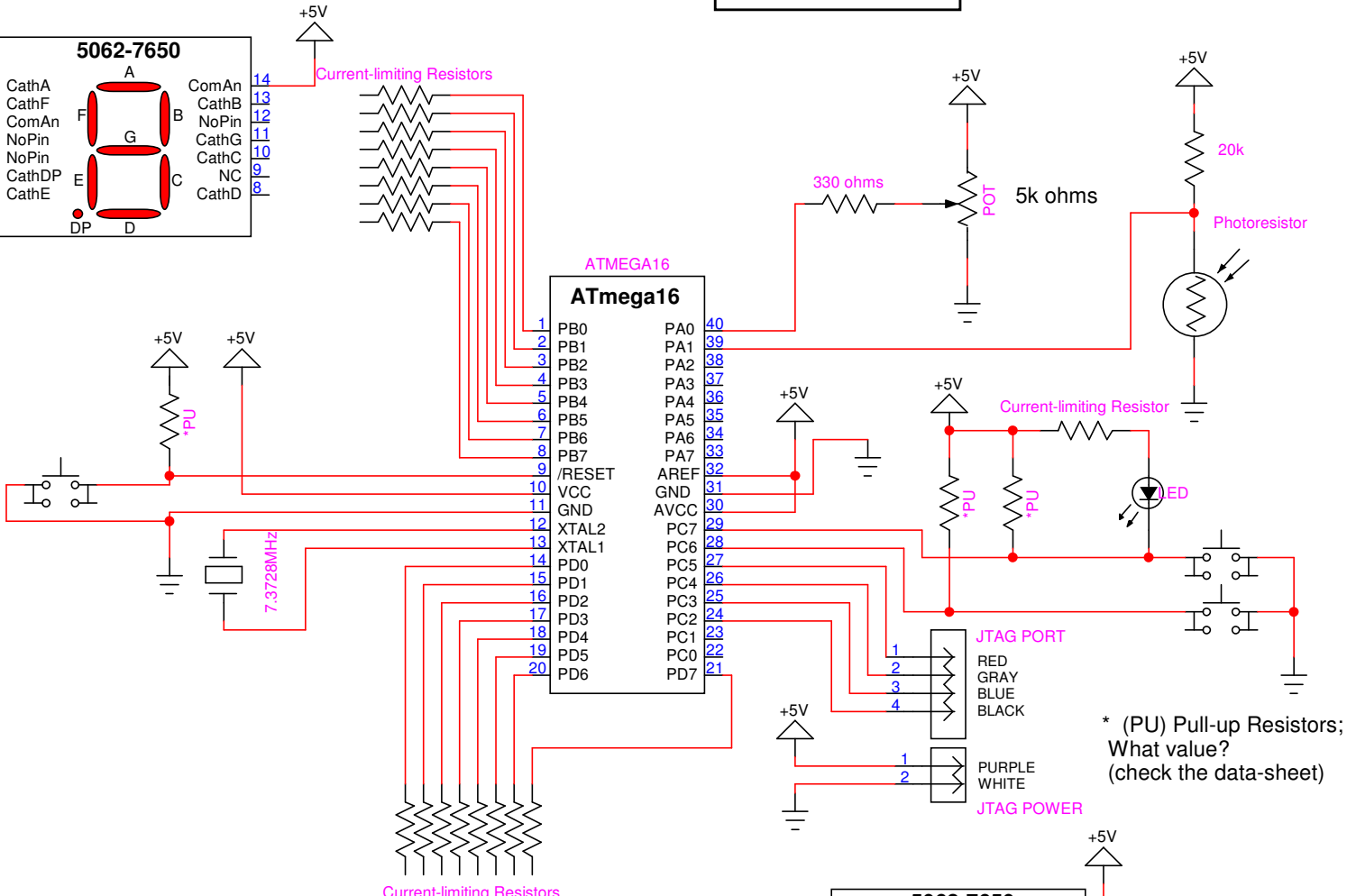
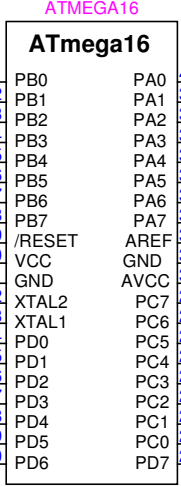
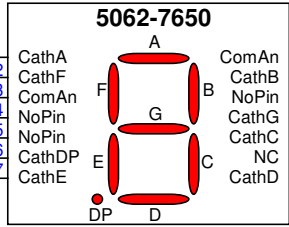
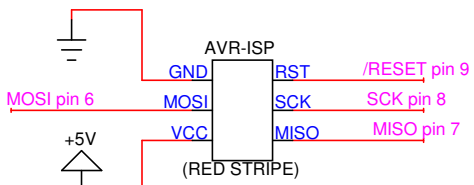


CS466 Lab 2



* (PU) Pull-up Resistors; What value? (check the data-sheet)

