

eZ430-Chronos development kit



Based on the CC430F6137 <1 GHz RF SoC, the eZ430-Chronos is a complete CC430-based wireless development system contained in a watch. The eZ430™ development tool features a 96 segment LCD display and provides an integrated pressure/altitude sensor and 3-axis accelerometer for motion sensitive control. The integrated wireless feature allows the Chronos to act as a central hub for nearby wireless sensors such as pedometers and heart rate monitors. The eZ430-Chronos also includes temperature and battery voltage measurement and is complete with a USB-based CC1111 wireless interface to a PC and a programming interface to create custom applications.

Overview

- Small form factor and ultra-low-power consumption
- Expandable for Personal Area Network applications
- Based on CC430: MSP430™ MCUs with integrated <1 GHz RF
- Low cost development system, only \$49

Features

- Reprogrammable over Spy Bi-Wire
- Runs SimpliciTI and BM Innovations' BlueRobin™ RF protocols
- Available in 433, 868 and 915 MHz bands for worldwide usage
- Includes several open-source projects
- LCD driven directly by CC430
- Integrated Sensors:
 - 3-axis accelerometer
 - Altimeter
 - Temperature
 - Battery voltage
- The kit includes:
 - Chronos watch
 - eZ430 emulator for programming and debugging
 - USB-RF access point for PC communication



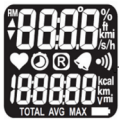
Software

- Code Composer Studio™ v4: www.ti.com/ccs
- IAR KickStart: www.ti.com/iarkickstart
- SimpliciTI™: www.ti.com/simpliciti


For more information, please visit:

- Chronos tool folder: www.ti.com/chronos
- Chronos wiki: www.ti.com/chronoswiki


CC430F6137 RF MCU			
32 KB flash	4KB RAM	16-bit CPU	HW Multiplier
CC1101 RF Transceiver	Analog Comparator	16-Ch. 12-bit ADC	Temperature Sensor
4 16-bit Timers	CRC-16 Module	3-Ch. DMA	I ² C/SPI
96-Segment LCD Driver	AEC128 Encryption	Real Time Clock Module	UART/SPI/IrDA




LCD with backlight




3-Axis Accelerometer




Pressure Sensor



Spy Bi-Wire JTAG Interface



RF Antenna (433, 868, 915 MHz options)



Buzzer

TI Worldwide Technical Support

Internet

TI Semiconductor Product Information Center Home Page

support.ti.com

TI Semiconductor KnowledgeBase Home Page

support.ti.com/sc/knowledgebase

Product Information Centers

Americas Phone +1(972) 644-5580

Brazil Phone 0800-891-2616

Mexico Phone 0800-670-7544

Fax +1(972) 927-6377
Internet/Email support.ti.com/sc/pic/americas.htm

Europe, Middle East, and Africa

Phone

European Free Call 00800-ASK-TEXAS
(00800 275 83927)

International +49 (0) 8161 80 2121

Russian Support +7 (4) 95 98 10 701

Note: The European Free Call (Toll Free) number is not active in all countries. If you have technical difficulty calling the free call number, please use the international number above.

Fax +(49) (0) 8161 80 2045

Internet support.ti.com/sc/pic/euro.htm

Japan

Fax International +81-3-3344-5317
Domestic 0120-81-0036

Internet/Email International support.ti.com/sc/pic/japan.htm
Domestic www.tij.co.jp/pic

Asia

Phone

International +91-80-41381665

Domestic Toll-Free Number

Australia 1-800-999-084

China 800-820-8682

Hong Kong 800-96-5941

India 1-800-425-7888

Indonesia 001-803-8861-1006

Korea 080-551-2804

Malaysia 1-800-80-3973

New Zealand 0800-446-934

Philippines 1-800-765-7404

Singapore 800-886-1028

Taiwan 0800-006800

Thailand 001-800-886-0010

Fax +886-2-2378-6808

Email tiasia@ti.com or ti-china@ti.com

Internet support.ti.com/sc/pic/asia.htm

Important Notice: The products and services of Texas Instruments Incorporated and its subsidiaries described herein are sold subject to TI's standard terms and conditions of sale. Customers are advised to obtain the most current and complete information about TI products and services before placing orders. TI assumes no liability for applications assistance, customer's applications or product designs, software performance, or infringement of patents. The publication of information regarding any other company's products or services does not constitute TI's approval, warranty or endorsement thereof.

A093008

The platform bar, eZ430, MSP430, Code Composer Studio and SimpliciTI are trademarks of Texas Instruments.

All other trademarks are the property of their respective owners.