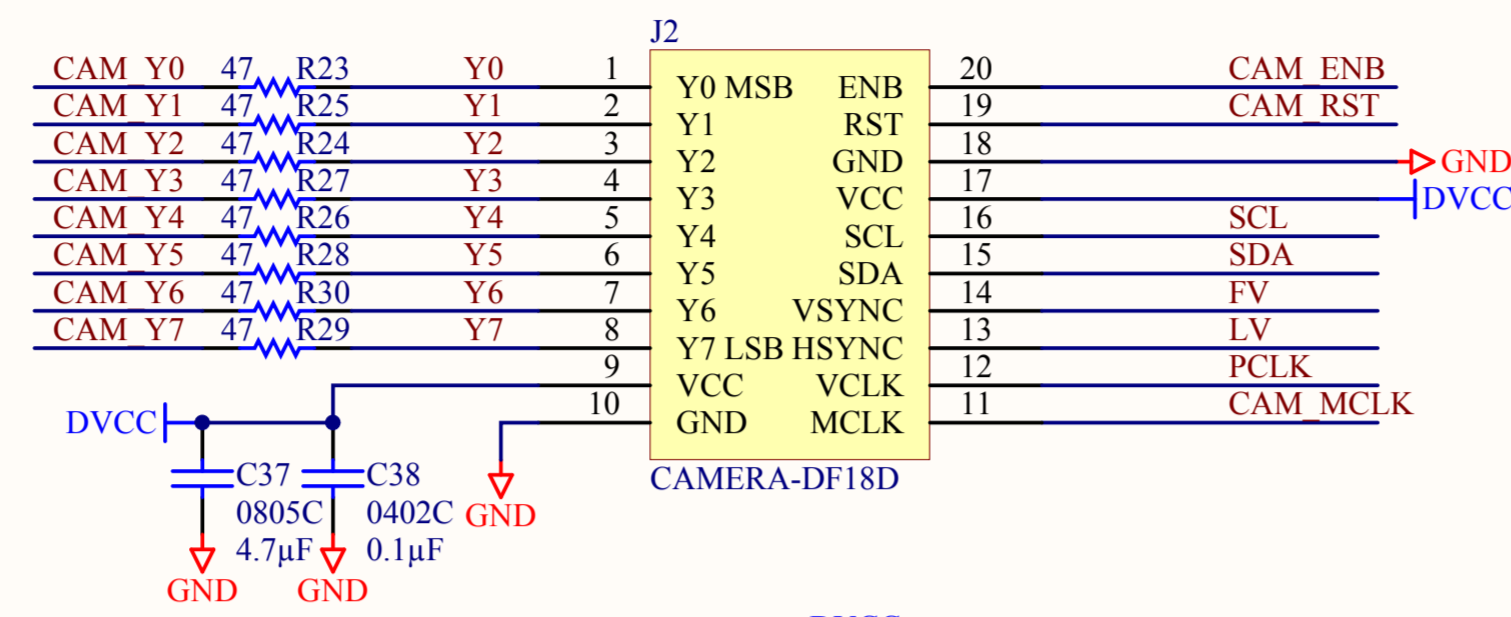
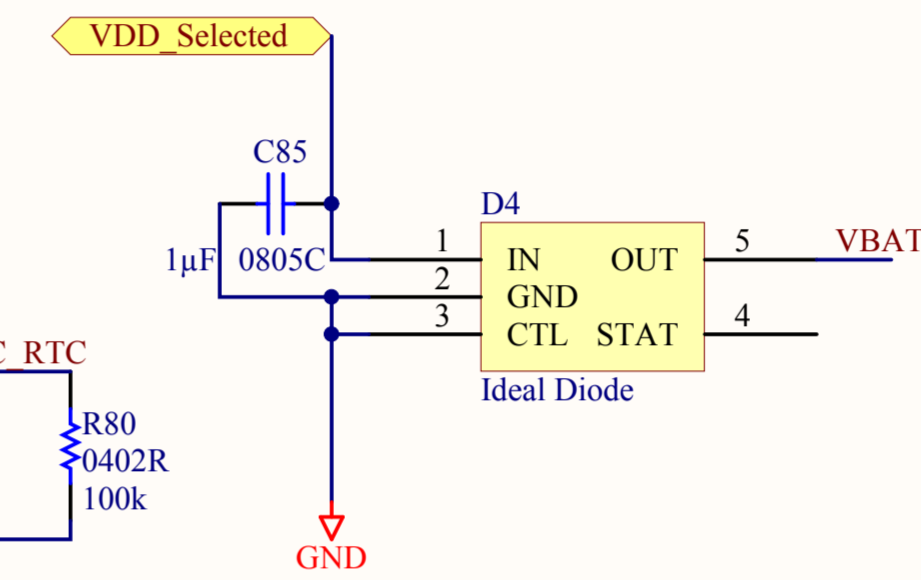
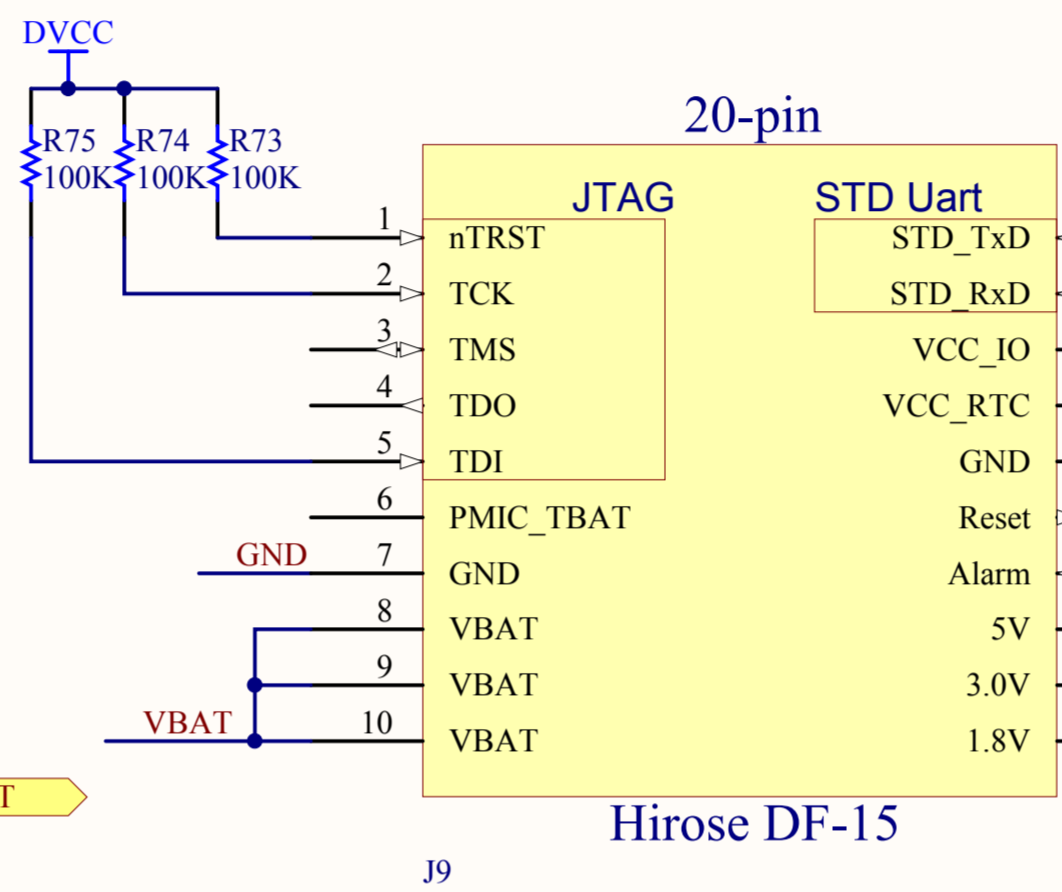
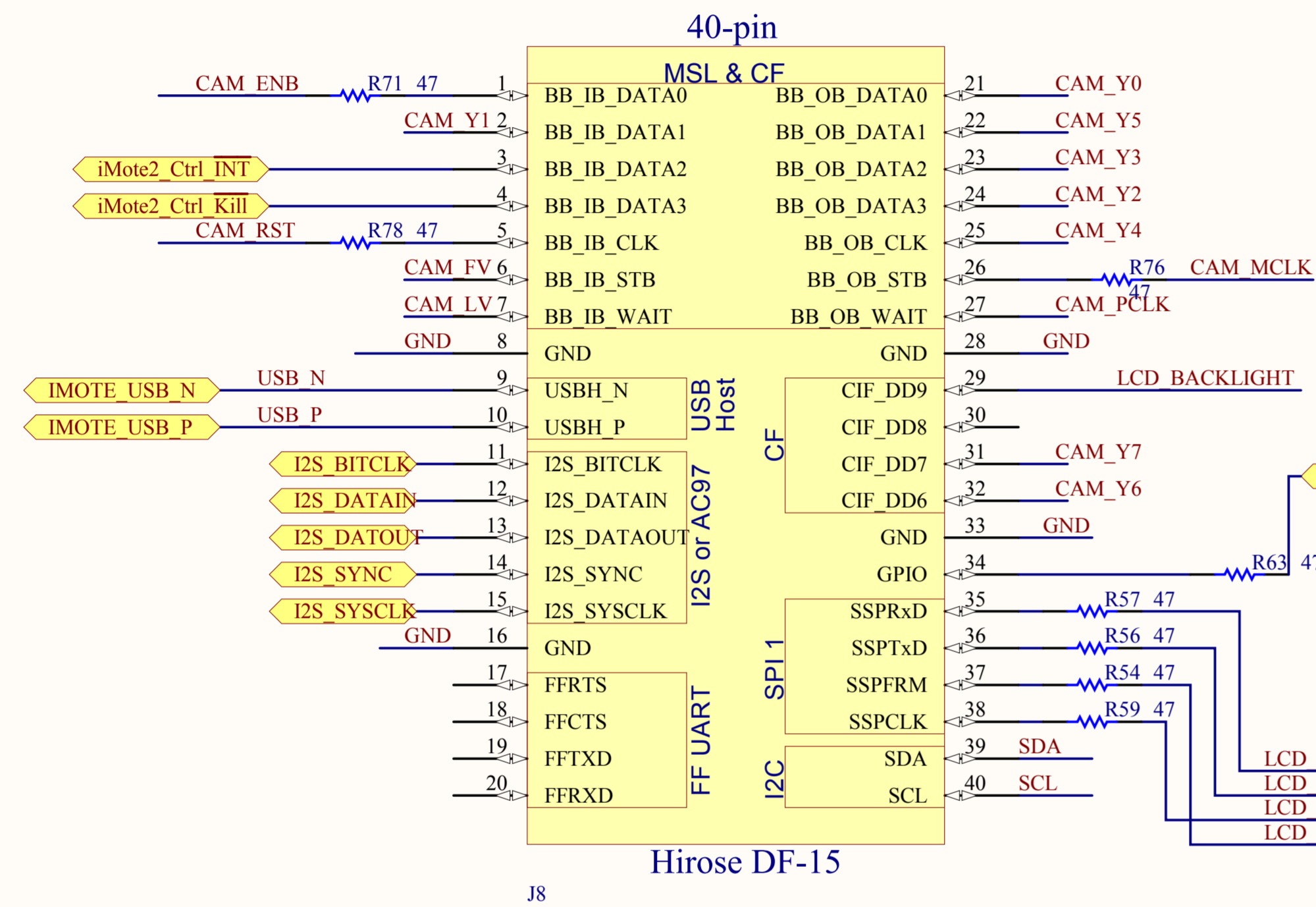
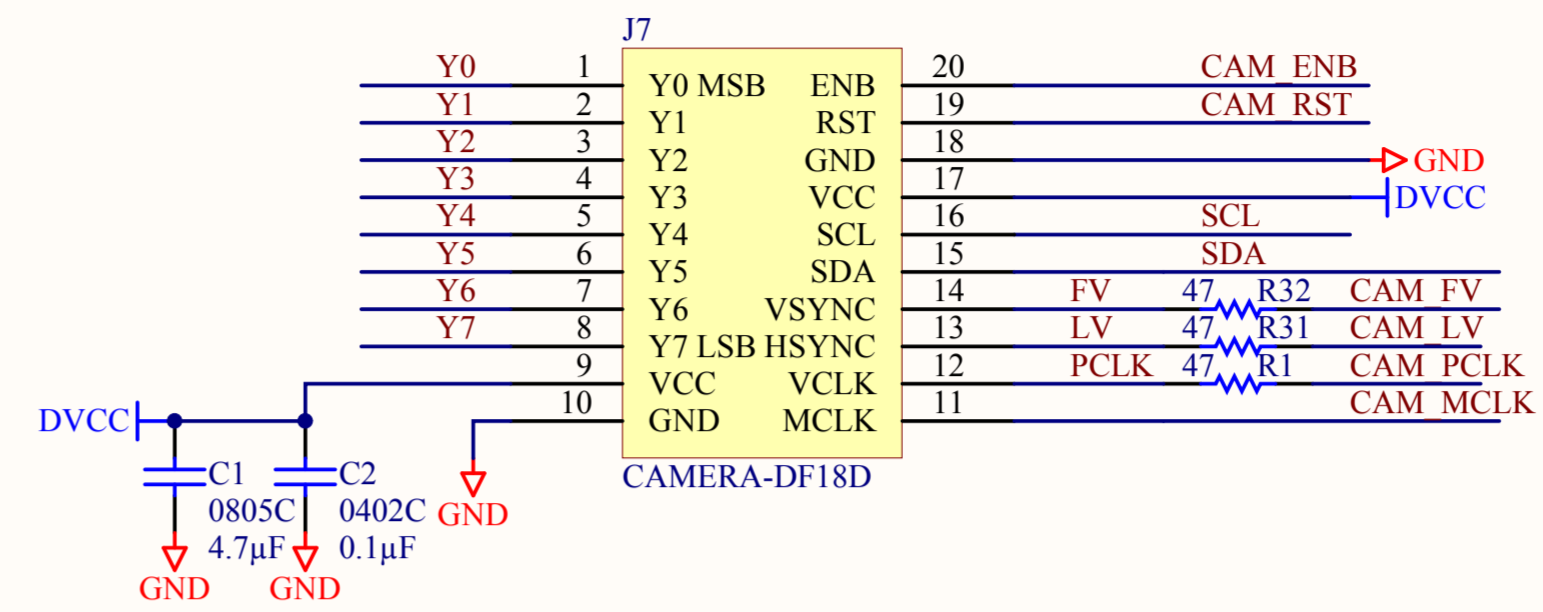


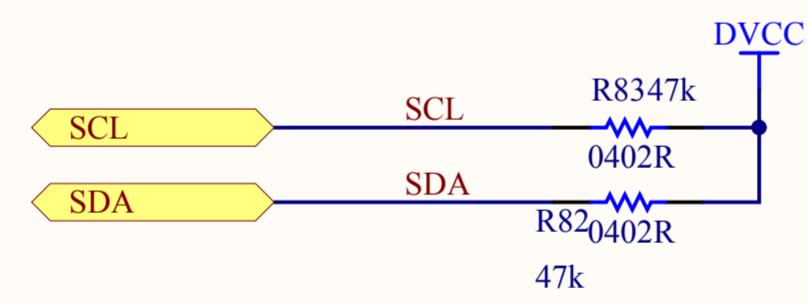
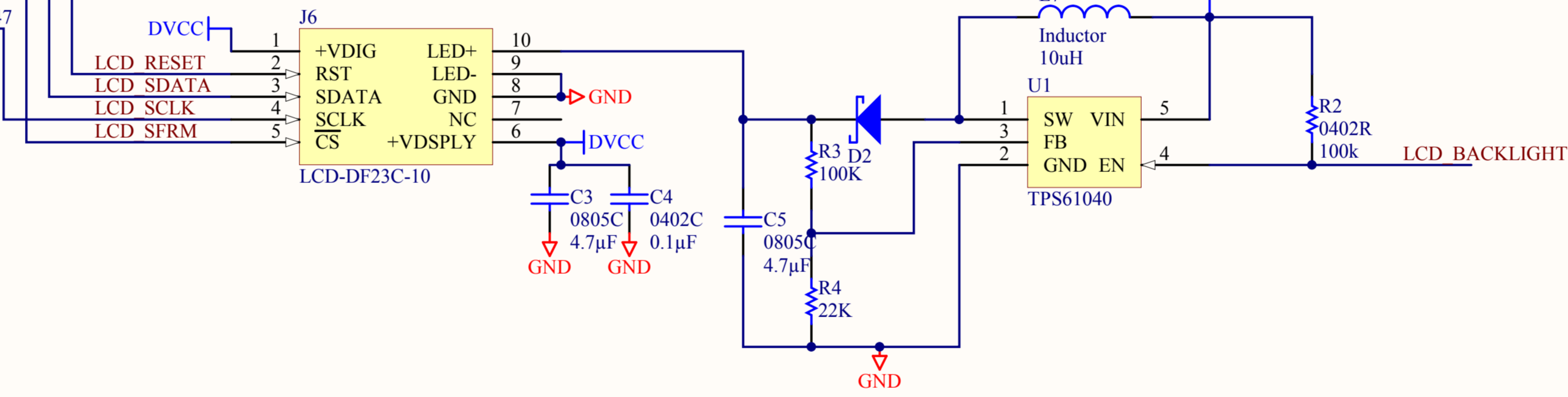
VGA CAMERA Connector(front):



VGA CAMERA Connector(back):



LCD Connector:

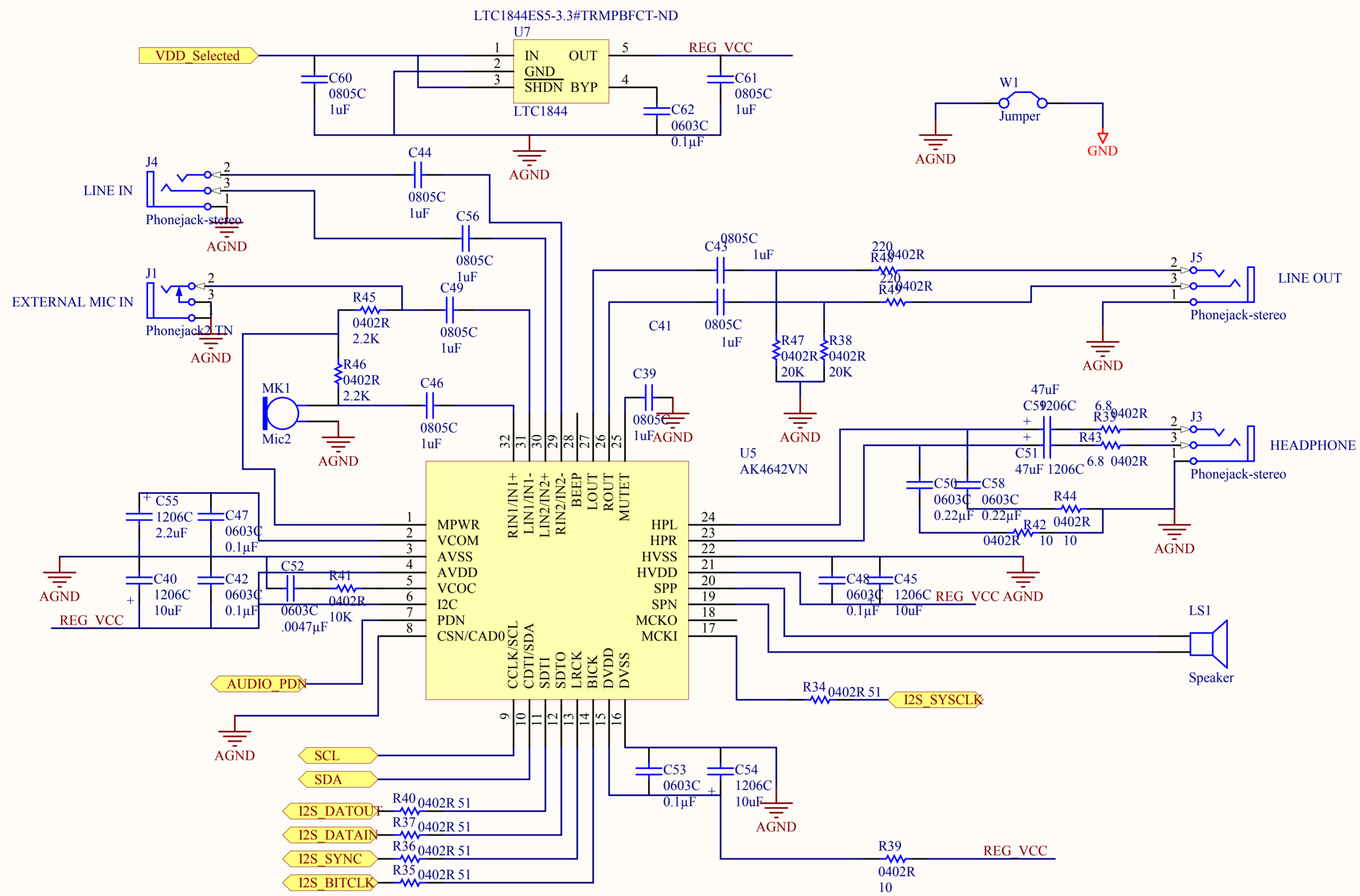


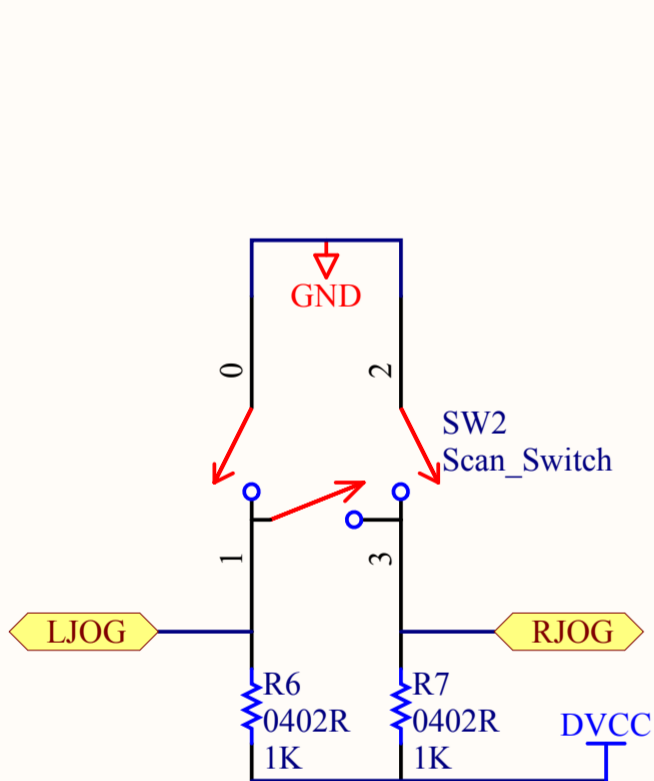
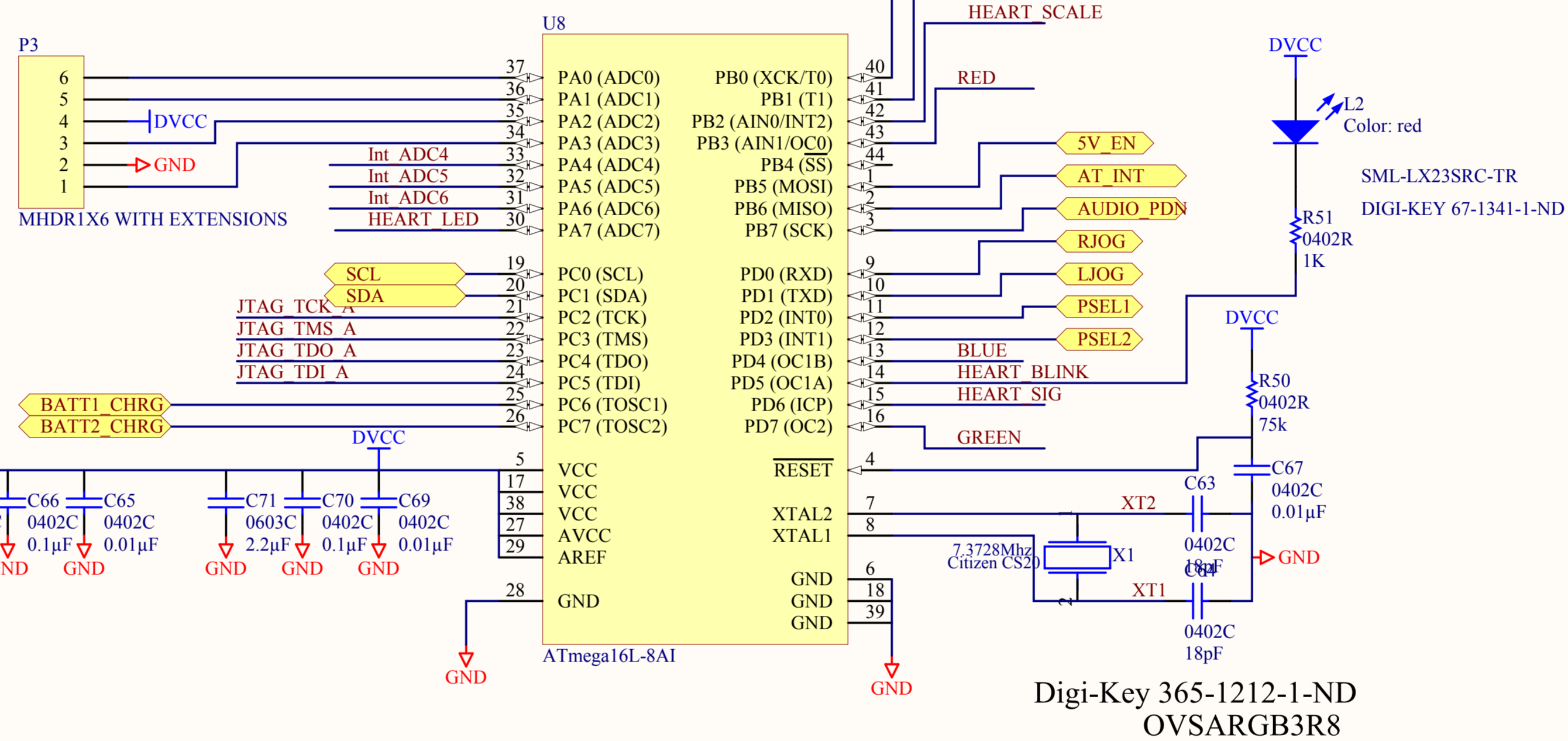
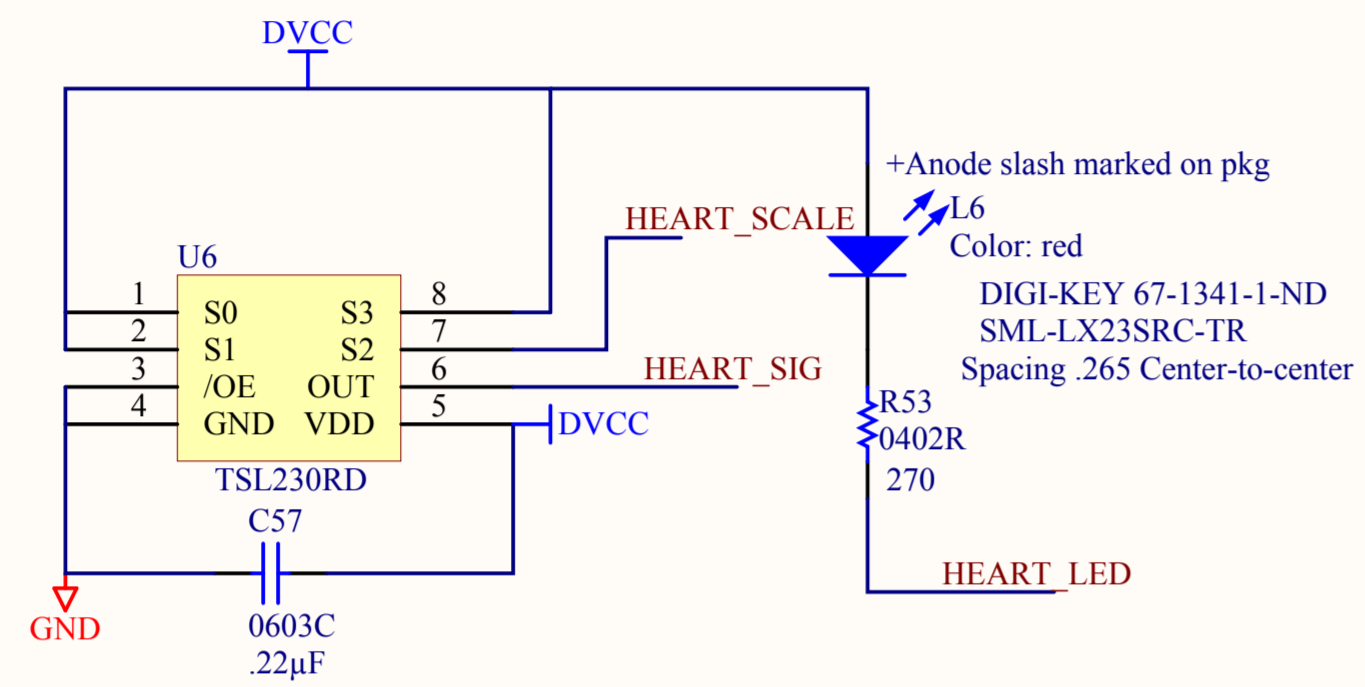
U_Audio
Audio.SchDoc

U_Board_Power
Board_Power.SCHDOC

U_USB_HOST
USB_HOST.SchDoc

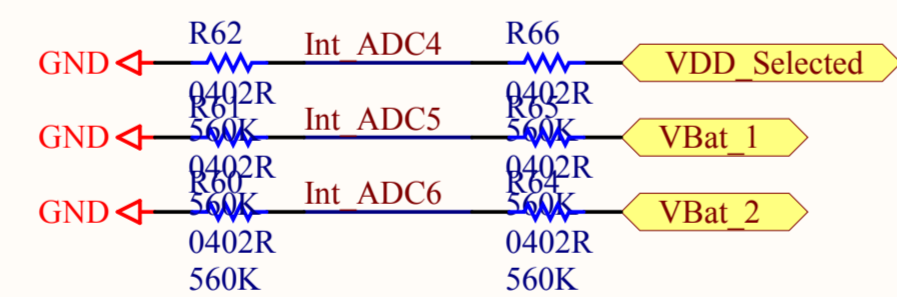
U_HeartRate
HeartRate.SchDoc



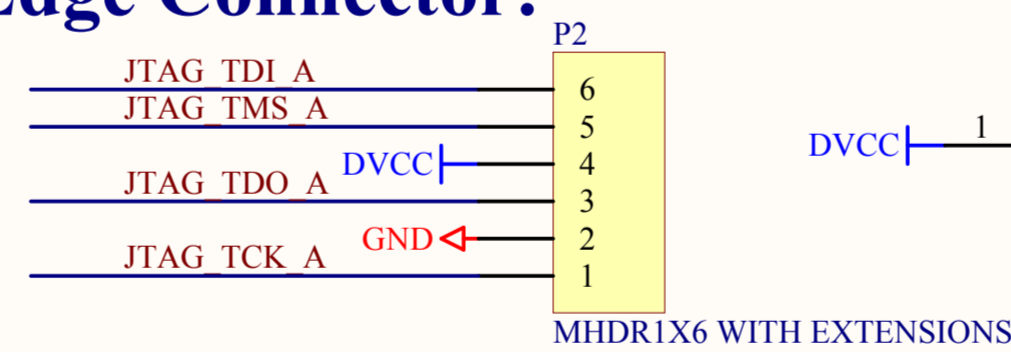


LJOG	RJOG	Function
0	1	LEFT
1	0	RIGHT
0	0	SELECT
1	1	INITIAL--INACTIVE

Power Monitoring:

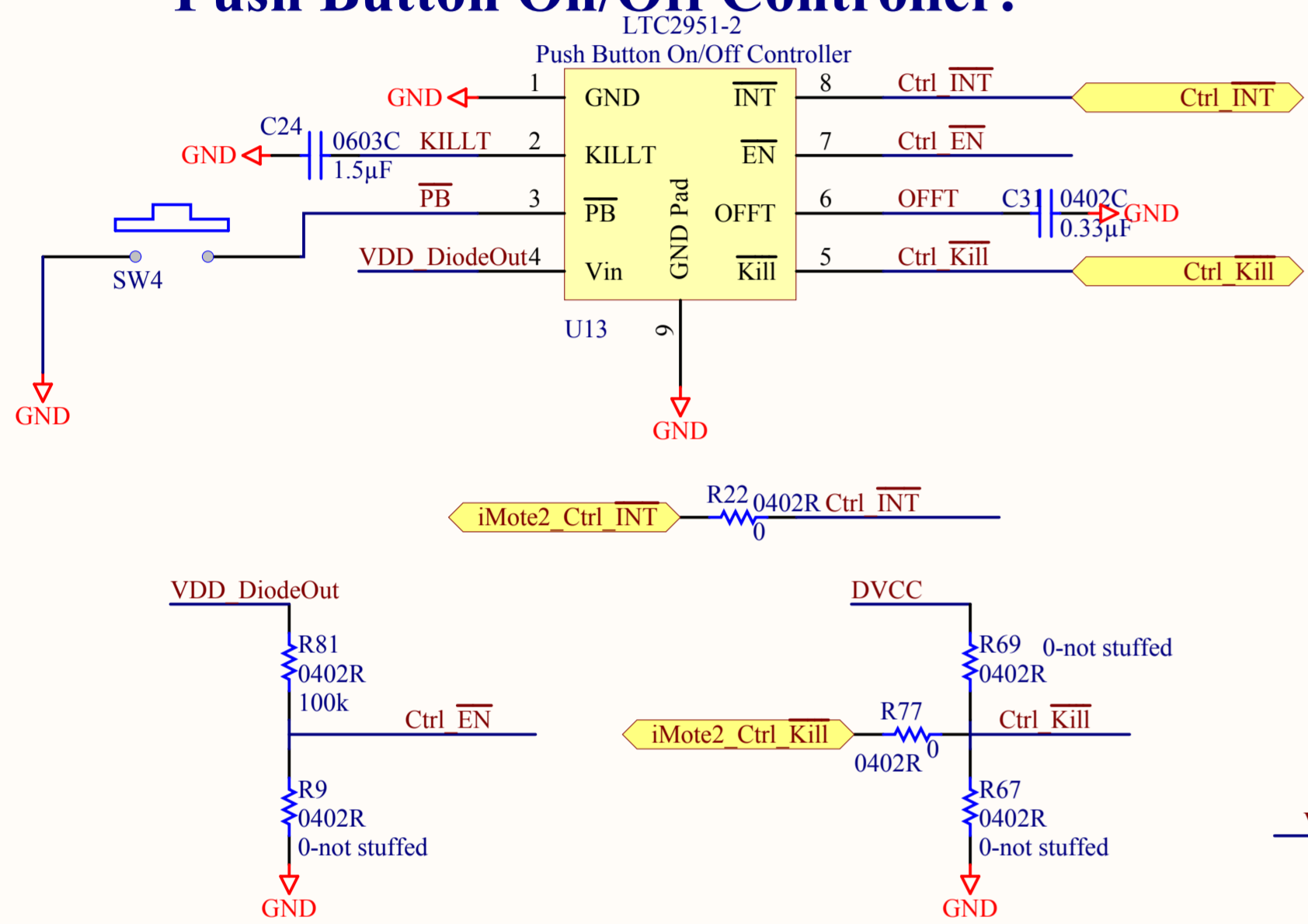


JTAG Edge Connector:

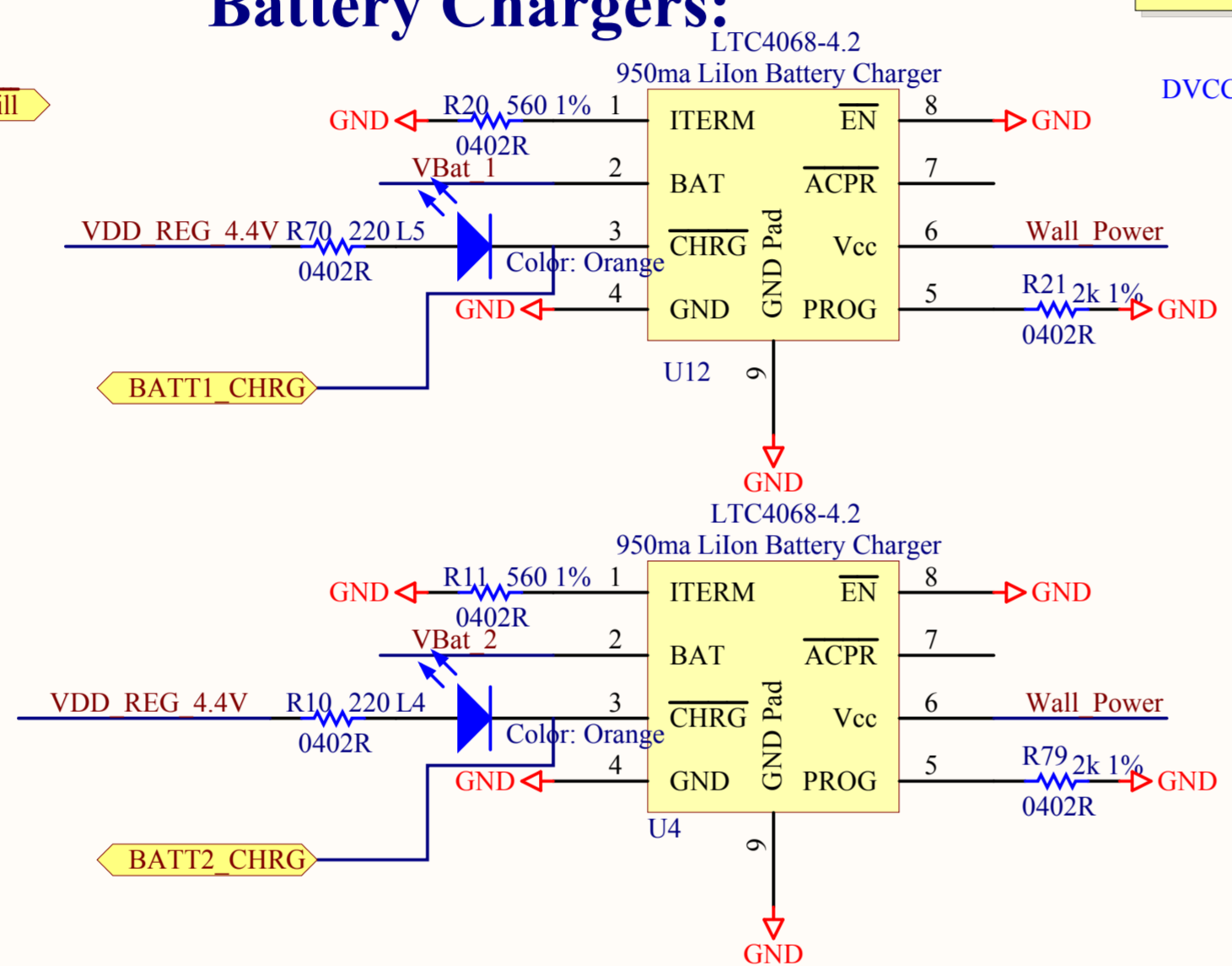


P2	JTAG	ice
1	1	TCK
2	2	GND
3	3	TDO
4	4	VTref
5	5	TMS
6	9	TDI

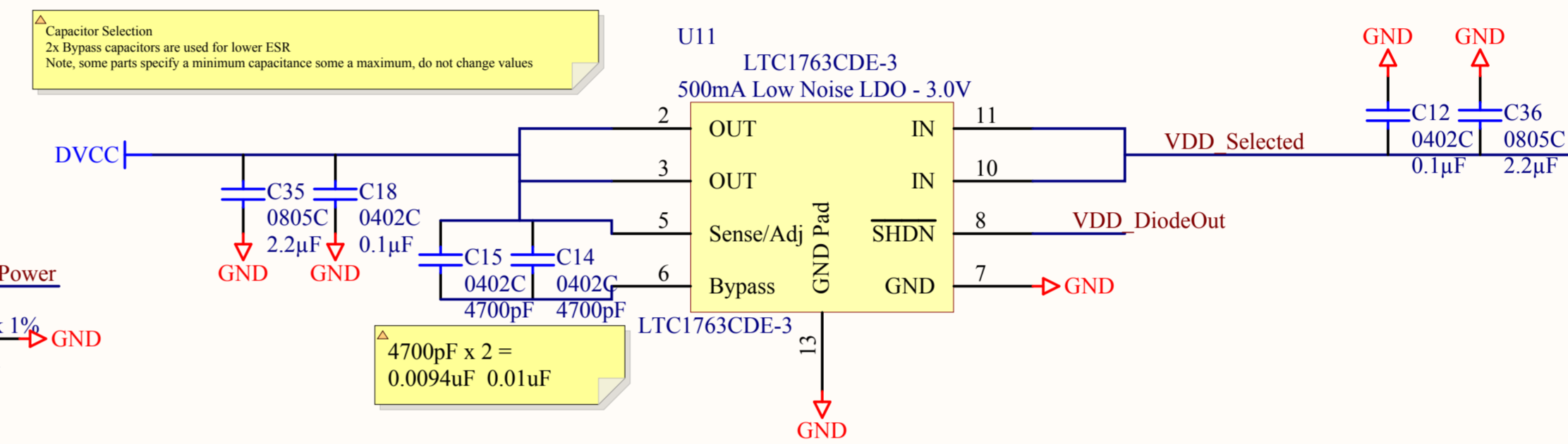
Push Button On/Off Controller:



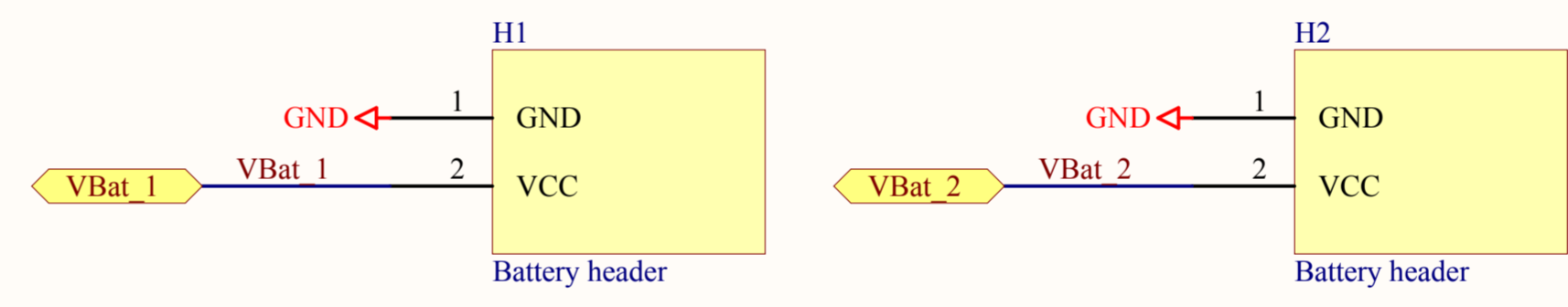
Battery Chargers:



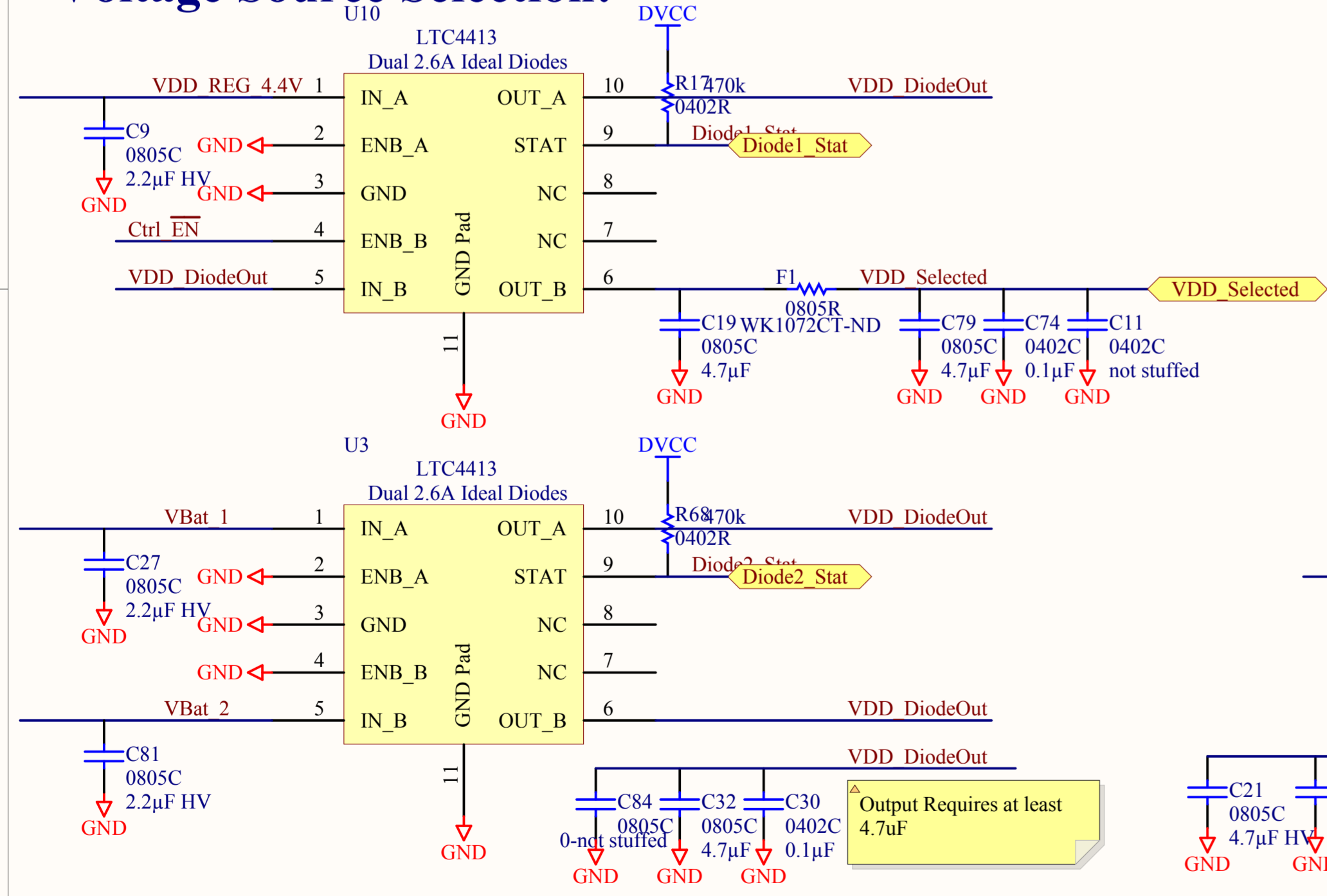
Digital Supply Low Noise or VLDO:



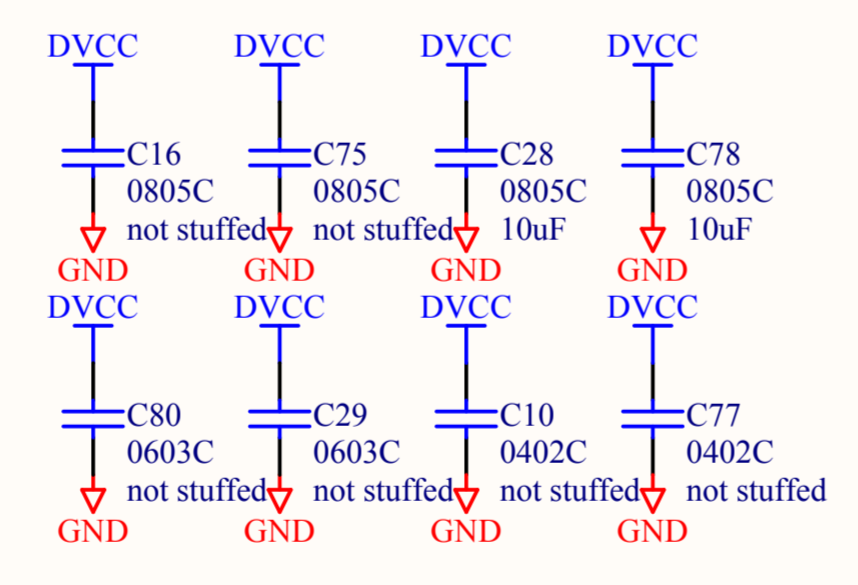
Battery Input Headers:



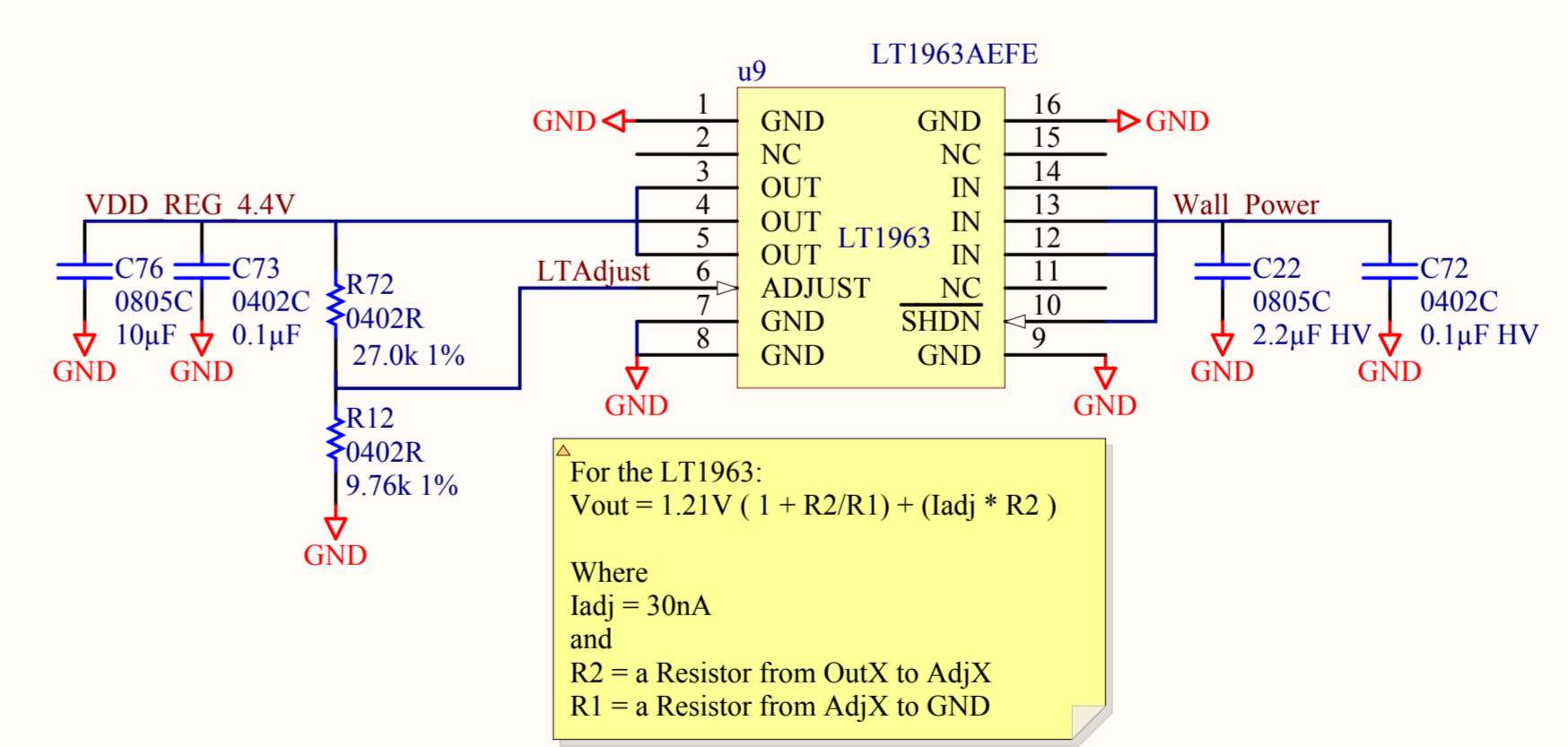
Voltage Source Selection:



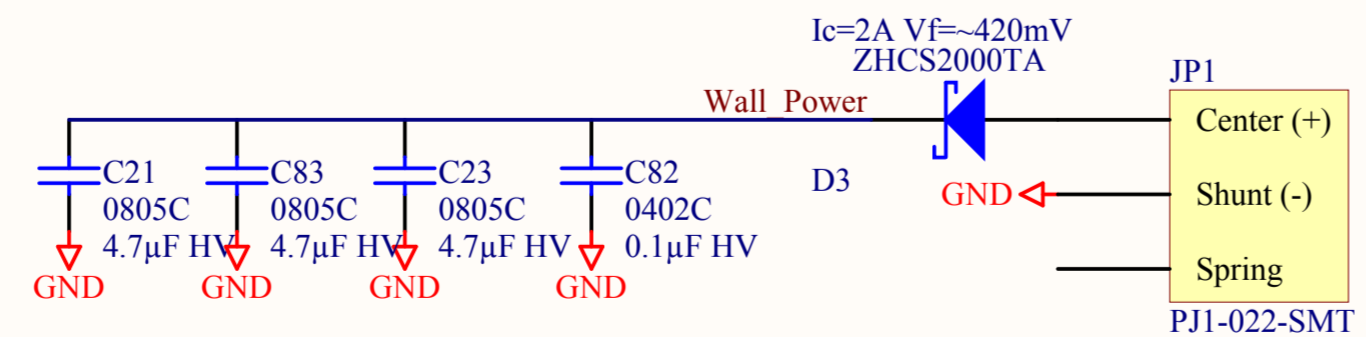
DVCC Decouplers: (optional)

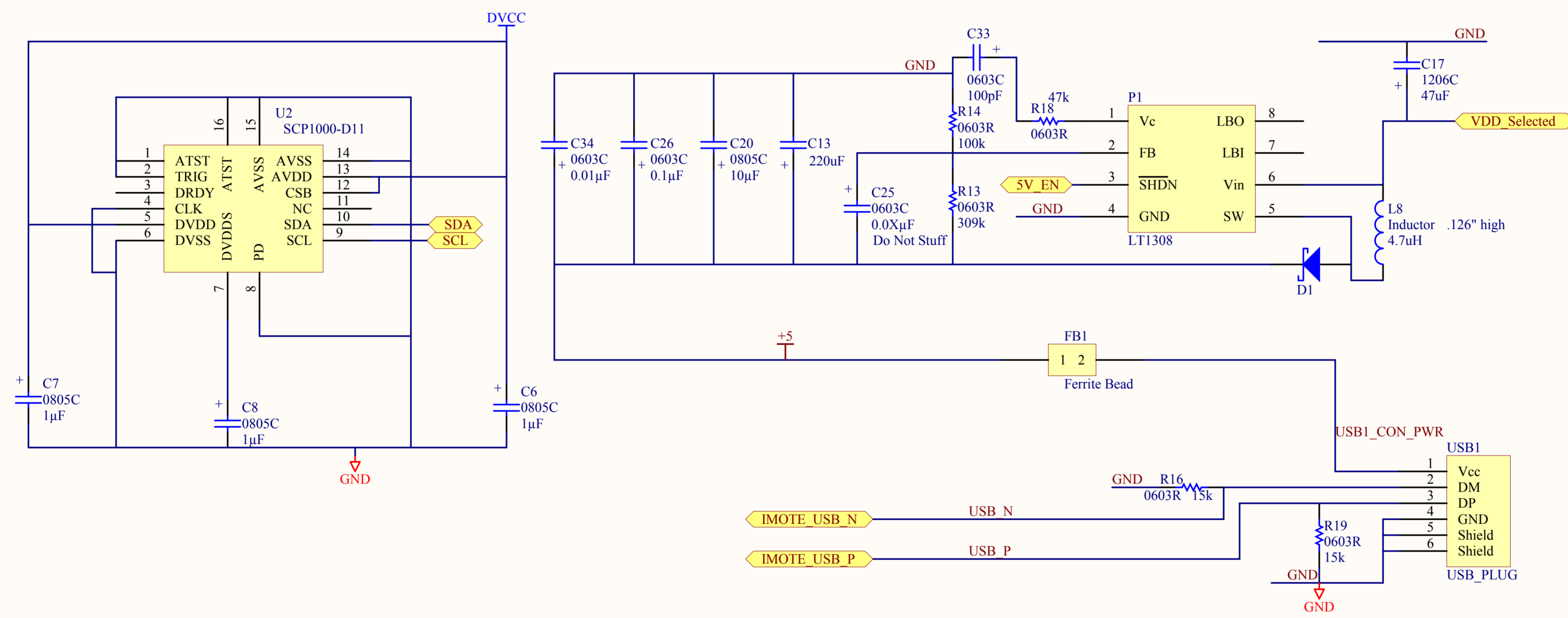


Wall Power Regulator:



Wall Power Header:





Layer Stackup (Top to bottom)

GTL (TOP LAYER)
GP1 (GND PLANE)
GP2 (PWR PLANE)
GBL (BOTTOM LAYER)

PCB Manufacture Notes:

All vias should be tented on top/bottom
Solder Mask Color: Purple
Silk Screen Color: Yellow

