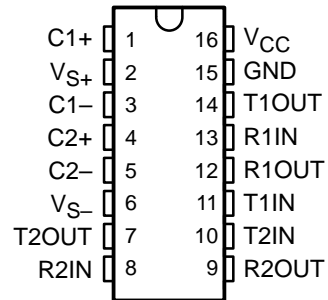


MAX232, MAX232I DUAL EIA-232 DRIVER/RECEIVER

SLLS047H – FEBRUARY 1989 – REVISED FEBRUARY 2002

- Operates With Single 5-V Power Supply
- LinBiCMOS™ Process Technology
- Two Drivers and Two Receivers
- ±30-V Input Levels
- Low Supply Current . . . 8 mA Typical
- Meets or Exceeds TIA/EIA-232-F and ITU Recommendation V.28
- Designed to be Interchangeable With Maxim MAX232
- ESD Protection Exceeds JESD 22 – 2000-V Human-Body Model (A114-A)
- Applications
 - TIA/EIA-232-F
 - Battery-Powered Systems
 - Terminals
 - Modems
 - Computers
- Package Options Include Plastic Small-Outline (D, DW, NS) Packages and Standard Plastic (N) DIPs

D, DW, N, OR NS PACKAGE
(TOP VIEW)



description

The MAX232 device is a dual driver/receiver that includes a capacitive voltage generator to supply EIA-232 voltage levels from a single 5-V supply. Each receiver converts EIA-232 inputs to 5-V TTL/CMOS levels. These receivers have a typical threshold of 1.3 V and a typical hysteresis of 0.5 V, and can accept ±30-V inputs. Each driver converts TTL/CMOS input levels into EIA-232 levels. The driver, receiver, and voltage-generator functions are available as cells in the Texas Instruments LinASIC™ library.

The MAX232 is characterized for operation from 0°C to 70°C. The MAX232I is characterized for operation from –40°C to 85°C.

AVAILABLE OPTIONS

T _A	PACKAGED DEVICES		
	SMALL OUTLINE (D, NS)	SMALL OUTLINE (DW)	PLASTIC DIP (N)
0°C to 70°C	MAX232D MAX232NS	MAX232DW	MAX232N
–40°C to 85°C	MAX232ID	MAX232IDW	MAX232IN

The D and DW packages are available taped and reeled by adding an R to the part number (i.e., MAX232DR). The NS package is only available taped and reeled.



Please be aware that an important notice concerning availability, standard warranty, and use in critical applications of Texas Instruments semiconductor products and disclaimers thereto appears at the end of this data sheet.

LinASIC and LinBiCMOS are trademarks of Texas Instruments.

PRODUCTION DATA information is current as of publication date. Products conform to specifications per the terms of Texas Instruments standard warranty. Production processing does not necessarily include testing of all parameters.

 **TEXAS
INSTRUMENTS**

POST OFFICE BOX 655303 • DALLAS, TEXAS 75265

Copyright © 2002, Texas Instruments Incorporated

MAX232, MAX232I DUAL EIA-232 DRIVER/RECEIVER

SLLS047H – FEBRUARY 1989 – REVISED FEBRUARY 2002

absolute maximum ratings over operating free-air temperature range (unless otherwise noted)†

Input supply voltage range, V_{CC} (see Note 1)	-0.3 V to 6 V
Positive output supply voltage range, V_{S+}	$V_{CC} - 0.3$ V to 15 V
Negative output supply voltage range, V_{S-}	-0.3 V to -15 V
Input voltage range, V_I : Driver	-0.3 V to $V_{CC} + 0.3$ V
Receiver	± 30 V
Output voltage range, V_O : T1OUT, T2OUT	$V_{S-} - 0.3$ V to $V_{S+} + 0.3$ V
R1OUT, R2OUT	-0.3 V to $V_{CC} + 0.3$ V
Short-circuit duration: T1OUT, T2OUT	Unlimited
Package thermal impedance, θ_{JA} (see Note 2): D package	73°C/W
DW package	57°C/W
N package	67°C/W
NS package	64°C/W
Lead temperature 1,6 mm (1/16 inch) from case for 10 seconds	260°C
Storage temperature range, T_{stg}	-65°C to 150°C

† Stresses beyond those listed under “absolute maximum ratings” may cause permanent damage to the device. These are stress ratings only, and functional operation of the device at these or any other conditions beyond those indicated under “recommended operating conditions” is not implied. Exposure to absolute-maximum-rated conditions for extended periods may affect device reliability.

NOTE 1: All voltage values are with respect to network ground terminal.

2. The package thermal impedance is calculated in accordance with JESD 51-7.

recommended operating conditions

		MIN	NOM	MAX	UNIT
V_{CC}	Supply voltage	4.5	5	5.5	V
V_{IH}	High-level input voltage (T1IN, T2IN)	2			V
V_{IL}	Low-level input voltage (T1IN, T2IN)			0.8	V
R1IN, R2IN	Receiver input voltage			± 30	V
T_A	Operating free-air temperature	MAX232	0	70	°C
		MAX232I	-40	85	



MAX232, MAX232I DUAL EIA-232 DRIVER/RECEIVER

SLLS047H – FEBRUARY 1989 – REVISED FEBRUARY 2002

electrical characteristics over recommended ranges of supply voltage and operating free-air temperature range (unless otherwise noted)

PARAMETER		TEST CONDITIONS	MIN	TYP†	MAX	UNIT		
VOH	High-level output voltage	T1OUT, T2OUT	RL = 3 kΩ to GND		5	7	V	
		R1OUT, R2OUT	IOH = -1 mA		3.5			
VOL	Low-level output voltage‡	T1OUT, T2OUT	RL = 3 kΩ to GND		-7	-5	V	
		R1OUT, R2OUT	IOL = 3.2 mA		0.4			
VIT+	Receiver positive-going input threshold voltage	R1IN, R2IN	VCC = 5 V, TA = 25°C		1.7	2.4	V	
VIT-	Receiver negative-going input threshold voltage	R1IN, R2IN	VCC = 5 V, TA = 25°C		0.8	1.2	V	
Vhys	Input hysteresis voltage	R1IN, R2IN	VCC = 5 V		0.2	0.5	1	V
ri	Receiver input resistance	R1IN, R2IN	VCC = 5, TA = 25°C		3	5	7	kΩ
ro	Output resistance	T1OUT, T2OUT	VS+ = VS- = 0, VO = ± 2 V		300		Ω	
IOS§	Short-circuit output current	T1OUT, T2OUT	VCC = 5.5 V, VO = 0		±10		mA	
IIS	Short-circuit input current	T1IN, T2IN	VI = 0		200		μA	
ICC	Supply current		VCC = 5.5 V, TA = 25°C, All outputs open,		8	10	mA	

† All typical values are at VCC = 5 V, TA = 25°C.

‡ The algebraic convention, in which the least positive (most negative) value is designated minimum, is used in this data sheet for logic voltage levels only.

§ Not more than one output should be shorted at a time.

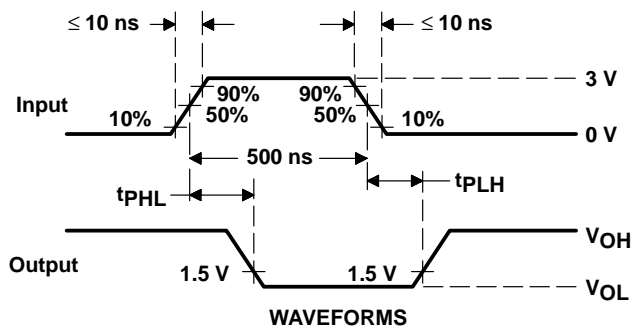
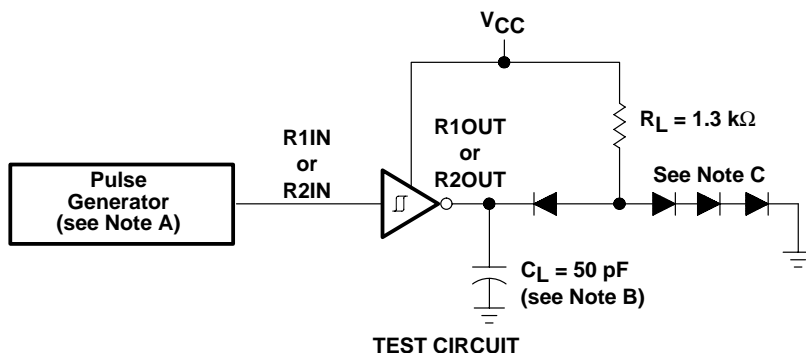
switching characteristics, VCC = 5 V, TA = 25°C

PARAMETER		TEST CONDITIONS	MIN	TYP	MAX	UNIT
tPLH(R)	Receiver propagation delay time, low- to high-level output	See Figure 1	500			ns
tPHL(R)	Receiver propagation delay time, high- to low-level output	See Figure 1	500			ns
SR	Driver slew rate	RL = 3 kΩ to 7 kΩ, See Figure 2			30	V/μs
SR(tr)	Driver transition region slew rate	See Figure 3	3			V/μs

MAX232, MAX232I DUAL EIA-232 DRIVER/RECEIVER

SLLS047H – FEBRUARY 1989 – REVISED FEBRUARY 2002

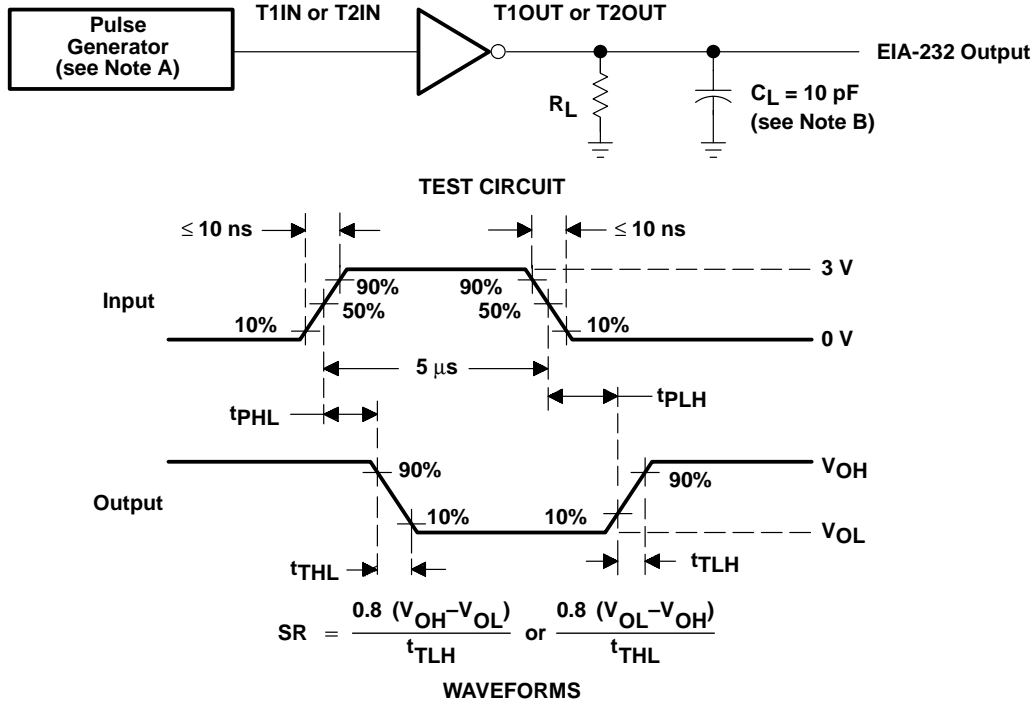
PARAMETER MEASUREMENT INFORMATION



- NOTES: A. The pulse generator has the following characteristics: $Z_O = 50 \Omega$, duty cycle $\leq 50\%$.
 B. C_L includes probe and jig capacitance.
 C. All diodes are 1N3064 or equivalent.

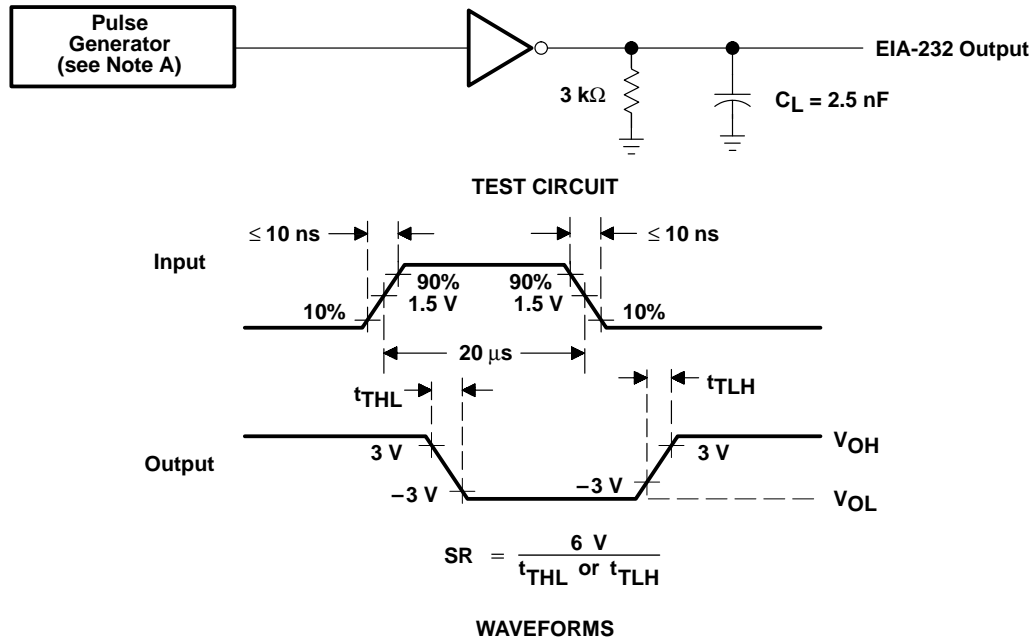
Figure 1. Receiver Test Circuit and Waveforms for t_{PHL} and t_{PLH} Measurements

PARAMETER MEASUREMENT INFORMATION



NOTES: A. The pulse generator has the following characteristics: $Z_O = 50 \Omega$, duty cycle $\leq 50\%$.
B. C_L includes probe and jig capacitance.

Figure 2. Driver Test Circuit and Waveforms for t_{PHL} and t_{PLH} Measurements (5- μ s input)



NOTE A: The pulse generator has the following characteristics: $Z_O = 50 \Omega$, duty cycle $\leq 50\%$.

Figure 3. Test Circuit and Waveforms for t_{THL} and t_{TLH} Measurements (20- μ s input)

MAX232, MAX232I DUAL EIA-232 DRIVER/RECEIVER

SLLS047H – FEBRUARY 1989 – REVISED FEBRUARY 2002

APPLICATION INFORMATION

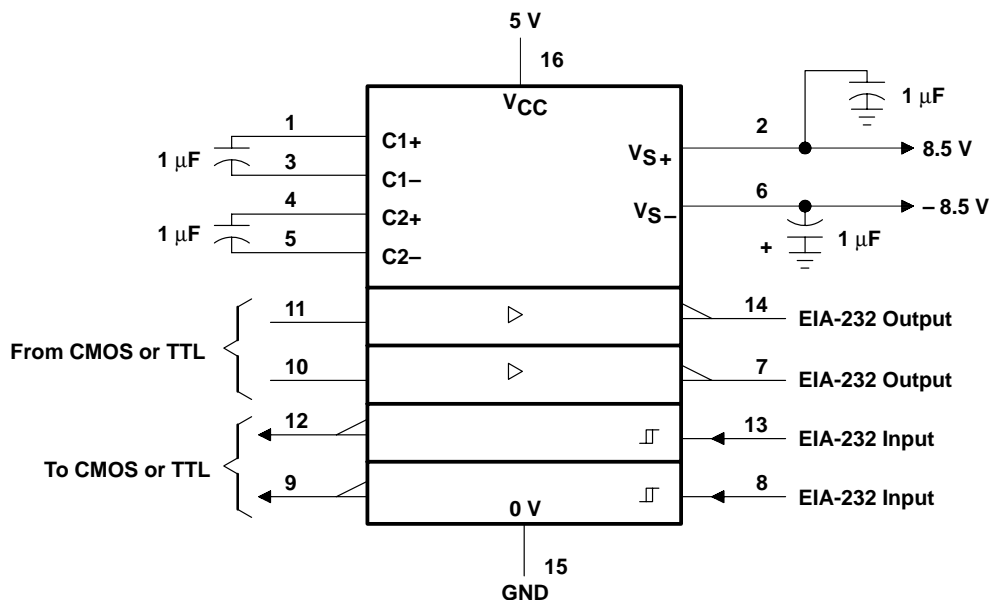


Figure 4. Typical Operating Circuit

IMPORTANT NOTICE

Texas Instruments Incorporated and its subsidiaries (TI) reserve the right to make corrections, modifications, enhancements, improvements, and other changes to its products and services at any time and to discontinue any product or service without notice. Customers should obtain the latest relevant information before placing orders and should verify that such information is current and complete. All products are sold subject to TI's terms and conditions of sale supplied at the time of order acknowledgment.

TI warrants performance of its hardware products to the specifications applicable at the time of sale in accordance with TI's standard warranty. Testing and other quality control techniques are used to the extent TI deems necessary to support this warranty. Except where mandated by government requirements, testing of all parameters of each product is not necessarily performed.

TI assumes no liability for applications assistance or customer product design. Customers are responsible for their products and applications using TI components. To minimize the risks associated with customer products and applications, customers should provide adequate design and operating safeguards.

TI does not warrant or represent that any license, either express or implied, is granted under any TI patent right, copyright, mask work right, or other TI intellectual property right relating to any combination, machine, or process in which TI products or services are used. Information published by TI regarding third-party products or services does not constitute a license from TI to use such products or services or a warranty or endorsement thereof. Use of such information may require a license from a third party under the patents or other intellectual property of the third party, or a license from TI under the patents or other intellectual property of TI.

Reproduction of information in TI data books or data sheets is permissible only if reproduction is without alteration and is accompanied by all associated warranties, conditions, limitations, and notices. Reproduction of this information with alteration is an unfair and deceptive business practice. TI is not responsible or liable for such altered documentation.

Resale of TI products or services with statements different from or beyond the parameters stated by TI for that product or service voids all express and any implied warranties for the associated TI product or service and is an unfair and deceptive business practice. TI is not responsible or liable for any such statements.

Mailing Address:

Texas Instruments
Post Office Box 655303
Dallas, Texas 75265