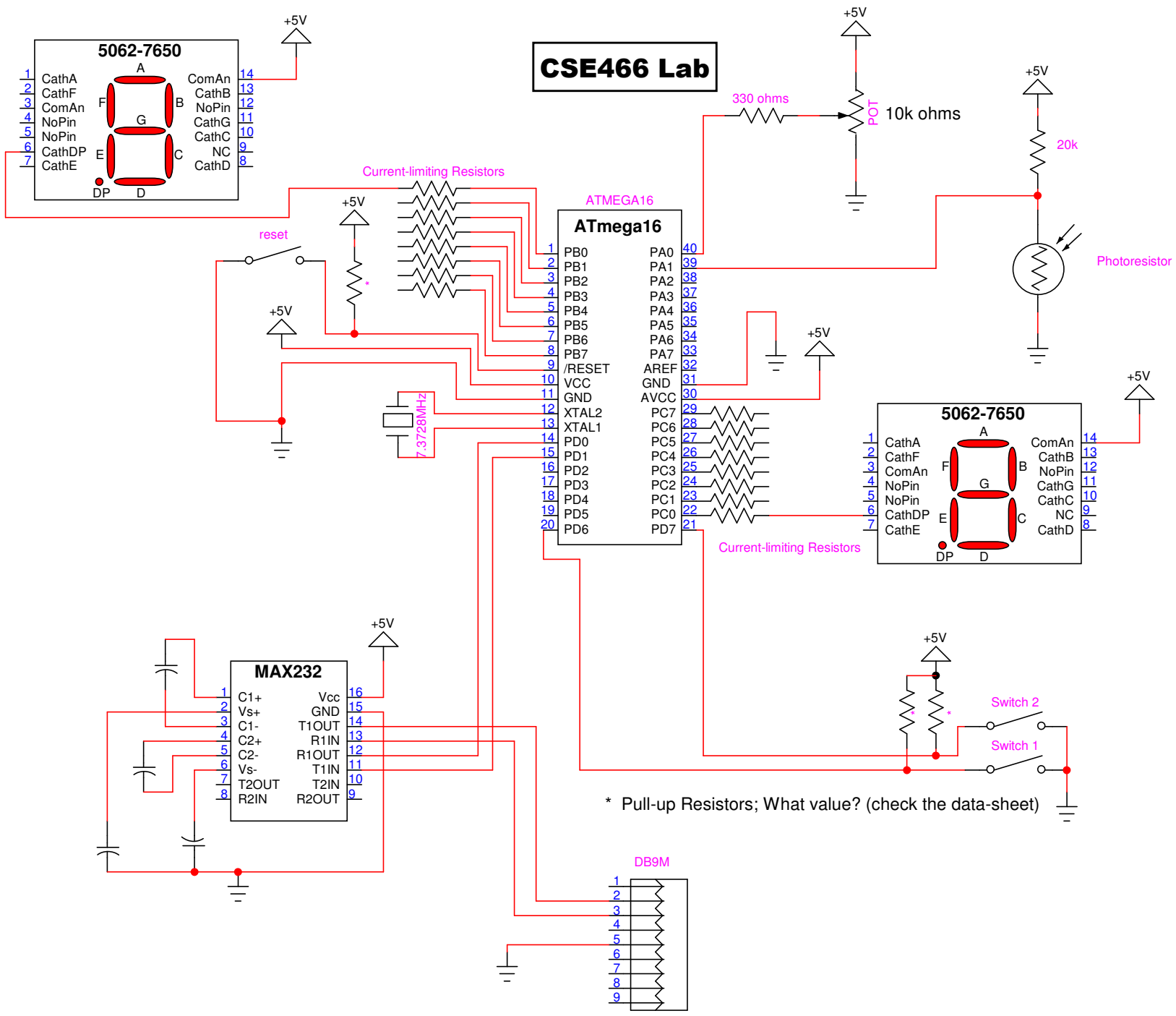


CSE466 Lab



* Pull-up Resistors; What value? (check the data-sheet)