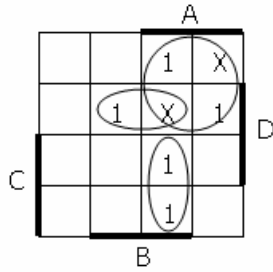


CSE370 Quiz 3 (3 November)

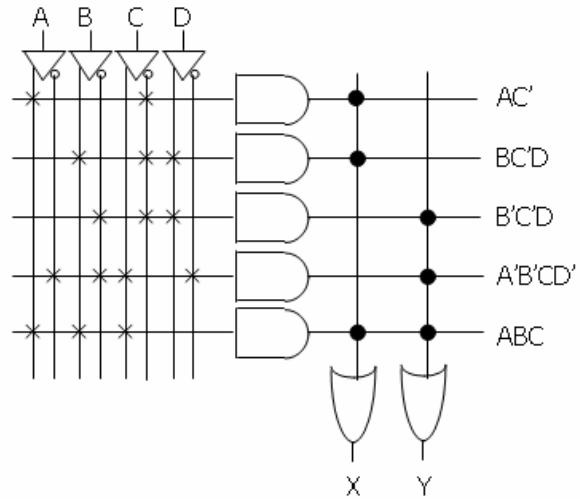
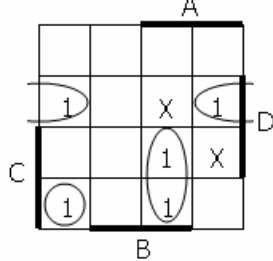
Name _____

Implement the functions X and Y as specified in the K-maps in the PAL provided below. Note that the PAL requires that the two functions share one product term.

X:



Y:



Implement the functions again using the 8:1 multiplexers provided below. Make sure that the don't cares are used in the same way as above. Use D, D', 0, or 1 on the inputs.

