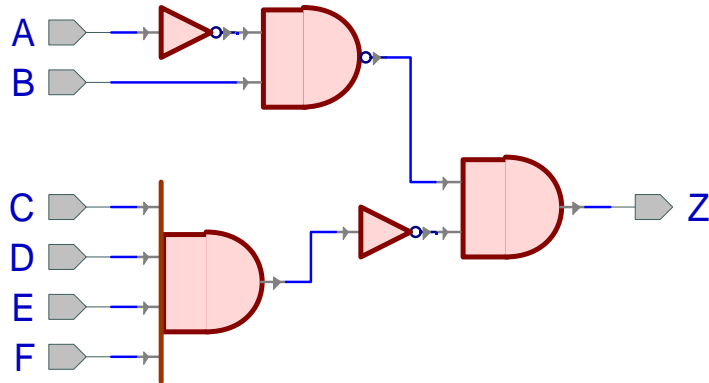


CSE370 Quiz 2 (20 October)

Name _____

The following circuit needs to be updated to a new technology that only provides **2-input NOR** gates and **inverters** (as many as we need).



Draw a new schematic of the circuit.

