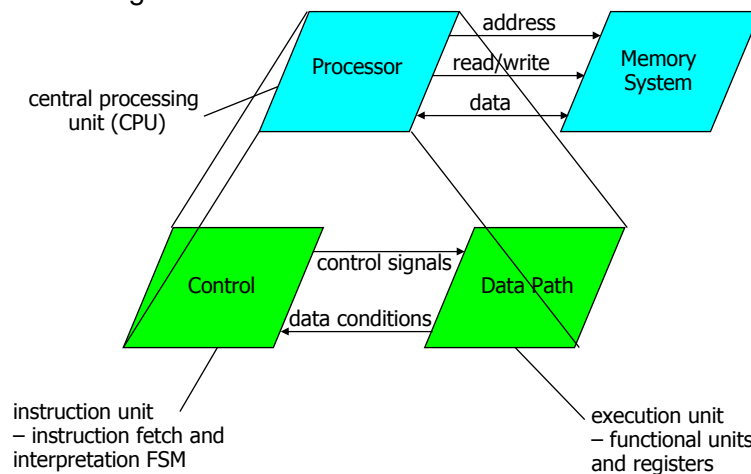


## Computer organization

- Computer design – an application of digital logic design procedures
- Computer = processing unit + memory system
- Processing unit = control + datapath
- Control = finite state machine
  - inputs = machine instruction, datapath conditions
  - outputs = register transfer control signals, ALU operation codes
  - instruction interpretation = instruction fetch, decode, execute
- Datapath = functional units + registers
  - functional units = ALU, multipliers, dividers, etc.
  - registers = program counter, shifters, storage registers

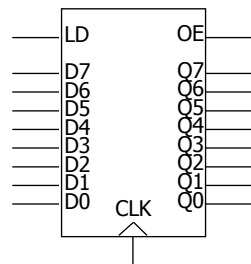
## Structure of a computer

- Block diagram view



## Registers

- Selectively loaded – EN or LD input
- Output enable – OE input
- Multiple registers – group 4 or 8 in parallel

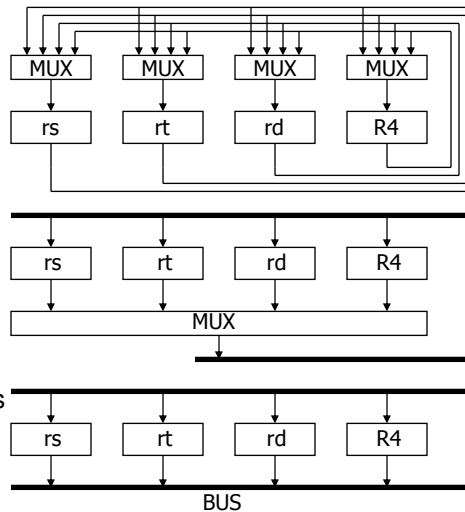


OE asserted causes FF state to be connected to output pins; otherwise they are left unconnected (high impedance)

LD asserted during a lo-to-hi clock transition loads new data into FFs

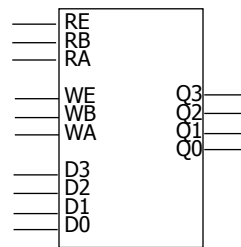
## Register transfer

- Point-to-point connection
  - dedicated wires
  - muxes on inputs of each register
- Common input from multiplexer
  - load enables for each register
  - control signals for multiplexer
- Common bus with output enables
  - output enables and load enables for each register



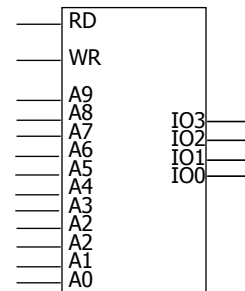
## Register files

- Collections of registers in one package
  - two-dimensional array of FFs
  - address used as index to a particular word
  - can have separate read and write addresses so can do both at same time
- 4 by 4 register file
  - 16 D-FFs
  - organized as four words of four bits each
  - write-enable (load)
  - read-enable (output enable)



## Memories

- Larger collections of storage elements
  - implemented not as FFs but as much more efficient latches
  - high-density memories use 1 to 5 switches (transistors) per memory bit
- Static RAM – 1024 words each 4 bits wide
  - once written, memory holds forever (not true for denser dynamic RAM)
  - address lines to select word (10 lines for 1024 words)
  - read enable
    - same as output enable
    - often called chip select
    - permits connection of many chips into larger array
  - write enable (same as load enable)
  - bi-directional data lines
    - output when reading, input when writing



## Instruction sequencing

- Example – an instruction to add the contents of two registers (Rx and Ry) and place result in a third register (Rz)
- Step 1: get the ADD instruction from memory into an instruction register
- Step 2: decode instruction
  - instruction in IR has the code of an ADD instruction
  - register indices used to generate output enables for registers Rx and Ry
  - register index used to generate load signal for register Rz
- Step 3: execute instruction
  - enable Rx and Ry output and direct to ALU
  - setup ALU to perform ADD operation
  - direct result to Rz so that it can be loaded into register

## Instruction types

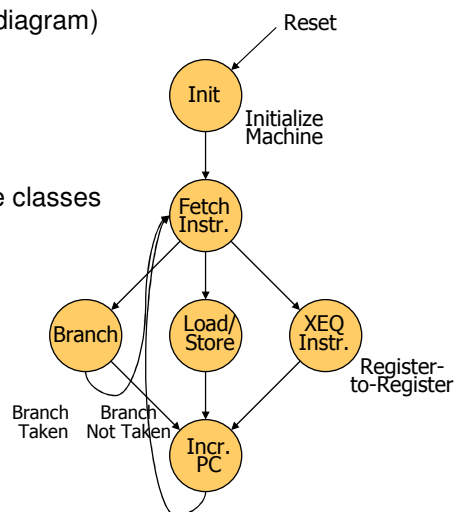
- Data manipulation
  - add, subtract
  - increment, decrement
  - multiply
  - shift, rotate
  - immediate operands
- Data staging
  - load/store data to/from memory
  - register-to-register move
- Control
  - conditional/unconditional branches in program flow
  - subroutine call and return

## Elements of the control unit (aka instruction unit)

- Standard FSM elements
  - state register
  - next-state logic
  - output logic (datapath/control signalling)
  - Moore or synchronous Mealy machine to avoid loops unbroken by FF
- Plus additional "control" registers
  - instruction register (IR)
  - program counter (PC)
- Inputs/outputs
  - outputs control elements of data path
  - inputs from data path used to alter flow of program (test if zero)

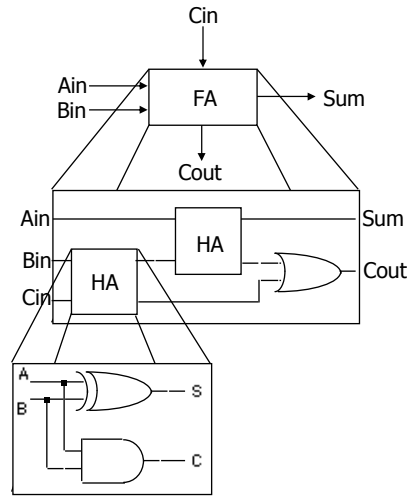
## Instruction execution

- Control state diagram (for each diagram)
  - reset
  - fetch instruction
  - decode
  - execute
- Instructions partitioned into three classes
  - branch
  - load/store
  - register-to-register
- Different sequence through diagram for each instruction type



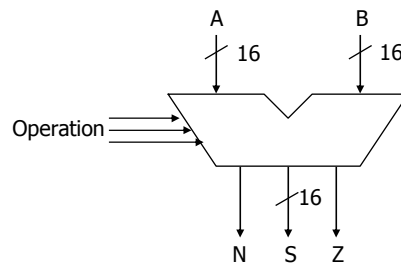
## Data path (hierarchy)

- Arithmetic circuits constructed in hierarchical and modular fashion
  - each bit in datapath is functionally identical
  - 4-bit, 8-bit, 16-bit, 32-bit datapaths



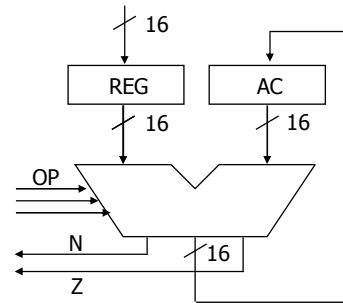
## Data path (ALU)

- ALU block diagram
  - input: data and operation to perform
  - output: result of operation and status information



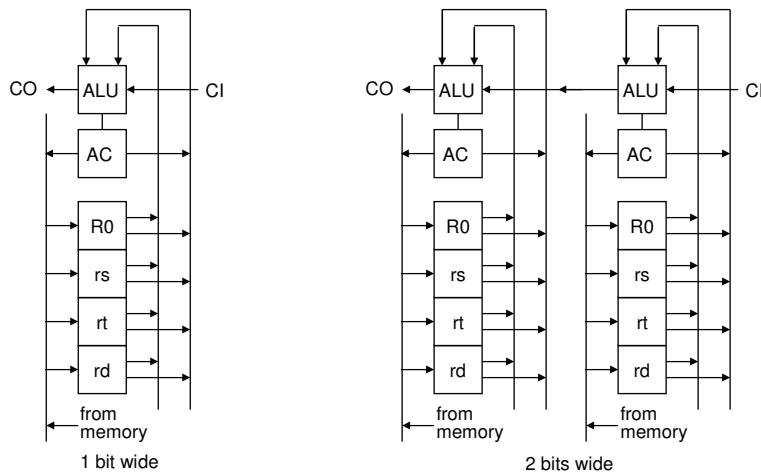
## Data path (ALU + registers)

- Accumulator
  - special register
  - one of the inputs to ALU
  - output of ALU stored back in accumulator
- One-address instructions
  - operation and address of one operand
  - other operand and destination is accumulator register
  - $AC \leftarrow AC \text{ op Mem}[\text{addr}]$
  - "single address instructions" (AC implicit operand)
- Multiple registers
  - part of instruction used to choose register operands



## Data path (bit-slice)

- Bit-slice concept – replicate to build n-bit wide datapaths



## Instruction path

- Program counter (PC)
  - keeps track of program execution
  - address of next instruction to read from memory
  - may have auto-increment feature or use ALU
- Instruction register (IR)
  - current instruction
  - includes ALU operation and address of operand
  - also holds target of jump instruction
  - immediate operands
- Relationship to data path
  - PC may be incremented through ALU
  - contents of IR may also be required as input to ALU – immediate operands

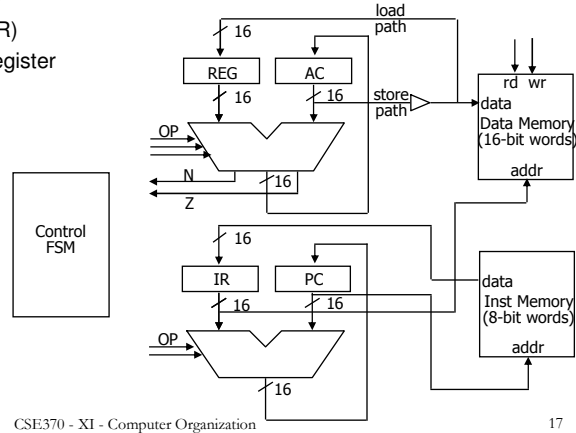
## Data path (memory interface)

- Memory
  - separate data and instruction memory (Harvard architecture)
    - two address busses, two data busses
  - single combined memory (Princeton architecture)
    - single address bus, single data bus
- Separate memory
  - ALU output goes to data memory input
  - register input from data memory output
  - data memory address from instruction register
  - instruction register from instruction memory output
  - instruction memory address from program counter
- Single memory
  - address from PC or IR
  - memory output to instruction and data registers
  - memory input from ALU output



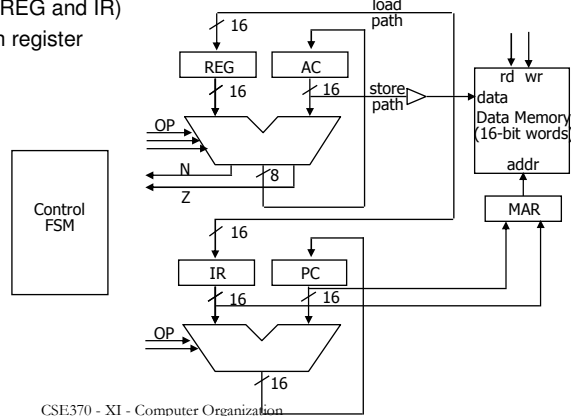
## Block diagram of processor (Harvard)

- Register transfer view of Harvard architecture
  - which register outputs are connected to which register inputs
  - arrows represent data-flow, other are control signals from control FSM
  - two MARs (PC and IR)
  - two MBRs (REG and IR)
  - load control for each register



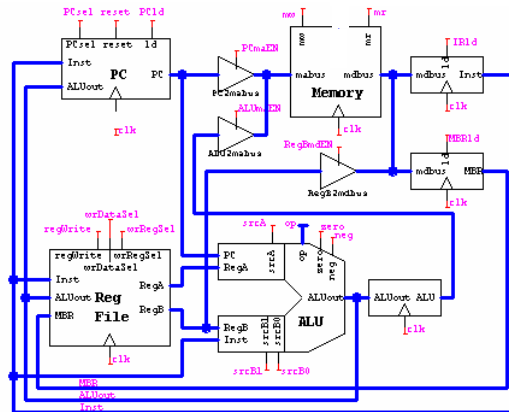
## Block diagram of processor (Princeton)

- Register transfer view of Princeton architecture
  - which register outputs are connected to which register inputs
  - arrows represent data-flow, other are control signals from control FSM
  - MAR may be a simple multiplexer rather than separate register
  - MBR is split in two (REG and IR)
  - load control for each register



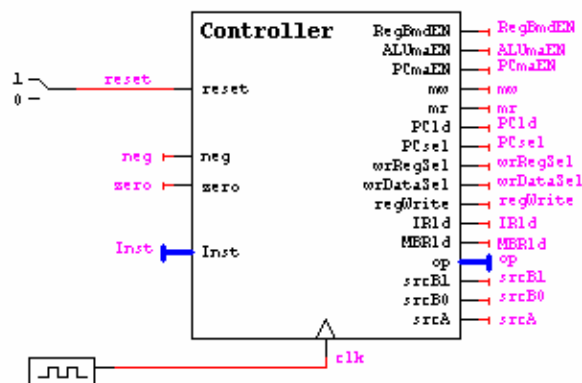
## A simplified processor data-path and memory

- Princeton architecture
- Register file
- Instruction register
- PC incremented through ALU
- Modeled after MIPS rt000 (used in 378 textbook by Patterson & Hennessy)
  - really a 32-bit machine
  - we'll do a 16-bit version



## Processor control

- Synchronous Mealy or Moore machine
- Multiple cycles per instruction



## Processor instructions

- Three principal types (16 bits in each instruction)

type	op	rs	rt	rd	funct
R(egister)	3	3	3	3	4
I(mmediate)	3	3	3	7	
J(ump)	3	13			

- Some of the instructions

R	add	0	rs	rt	rd	0	rd = rs + rt
	sub	0	rs	rt	rd	1	rd = rs - rt
	and	0	rs	rt	rd	2	rd = rs & rt
	or	0	rs	rt	rd	3	rd = rs   rt
	slt	0	rs	rt	rd	4	rd = (rs < rt)
I	lw	1	rs	rt	offset		rt = mem[rs + offset]
	sw	2	rs	rt	offset		mem[rs + offset] = rt
	beq	3	rs	rt	offset		pc = pc + offset, if (rs == rt)
	addi	4	rs	rt	offset		rt = rs + offset
J	j	5	target address				pc = target address
	halt	7	-				stop execution until reset

## Tracing an instruction's execution

- Instruction:  $r3 = r1 + r2$

R	0	rs=r1	rt=r2	rd=r3	funct=0
---	---	-------	-------	-------	---------

- 1. instruction fetch
  - move instruction address from PC to memory address bus
  - assert memory read
  - move data from memory data bus into IR
  - configure ALU to add 1 to PC
  - configure PC to store new value from ALUout
- 2. instruction decode
  - op-code bits of IR are input to control FSM
  - rest of IR bits encode the operand addresses (rs and rt)
    - these go to register file

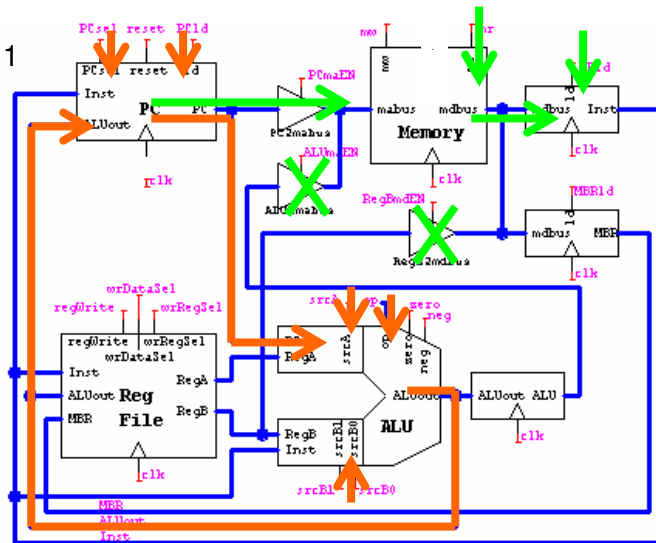
## Tracing an instruction's execution (cont'd)

- Instruction:  $r3 = r1 + r2$   

R	0	rs=r1	rt=r2	rd=r3	funct=0
---	---	-------	-------	-------	---------
- 3. instruction execute
  - set up ALU inputs
  - configure ALU to perform ADD operation
  - configure register file to store ALU result (rd)

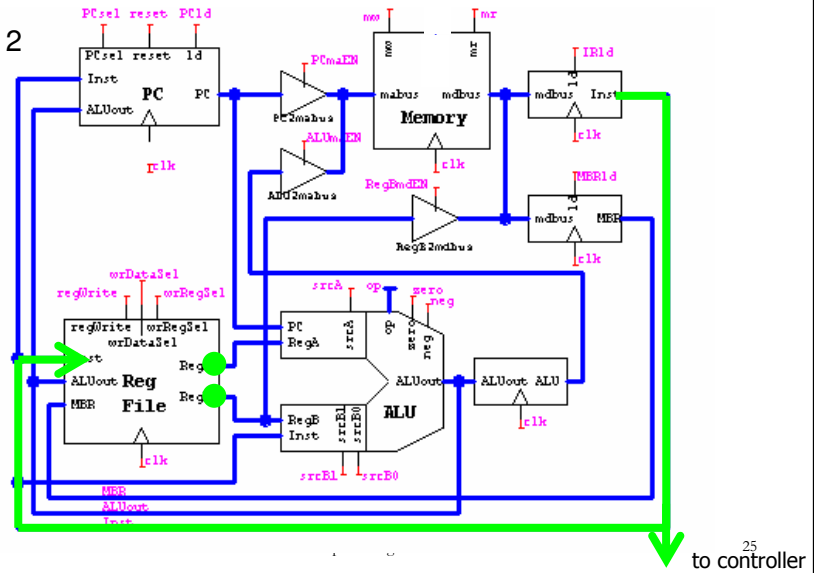
## Tracing an instruction's execution (cont'd)

- Step 1



## Tracing an instruction's execution (cont'd)

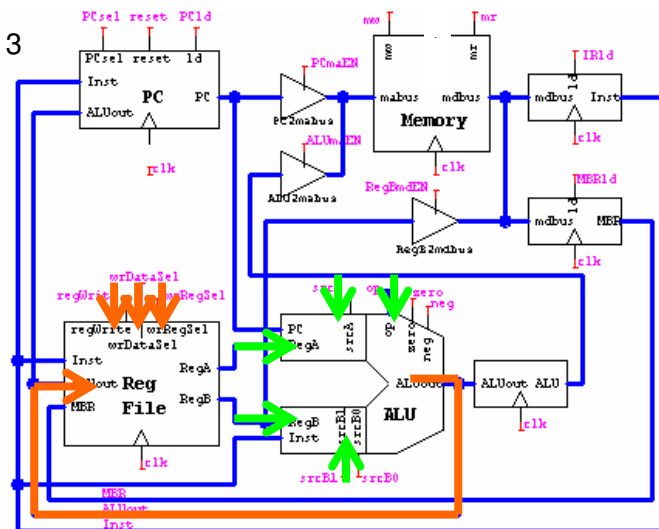
### Step 2



25

## Tracing an instruction's execution (cont'd)

### Step 3



26

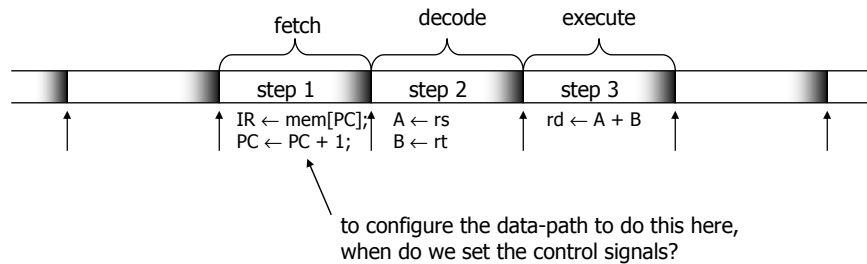
## Register-transfer-level description

- Control
  - transfer data between registers by asserting appropriate control signals
- Register transfer notation - work from register to register
  - instruction fetch:
    - mabus  $\leftarrow$  PC; – move PC to memory address bus (PCmaEN, ALUmaEN)
    - memory read; – assert memory read signal (mr, RegBmdEN)
    - IR  $\leftarrow$  memory; – load IR from memory data bus (IRld)
    - op  $\leftarrow$  add – send PC into A input, 1 into B input, add  
(srcA, srcB0, scrB1, op)
    - PC  $\leftarrow$  ALUout – load result of incrementing in ALU into PC (PCld, PCsel)
  - instruction decode:
    - IR to controller
    - values of A and B read from register file (rs, rt)
  - instruction execution:
    - op  $\leftarrow$  add – send regA into A input, regB into B input, add  
(srcA, srcB0, scrB1, op)
    - rd  $\leftarrow$  ALUout – store result of add into destination register  
(regWrite, wrDataSel, wrRegSel)

## Register-transfer-level description (cont'd)

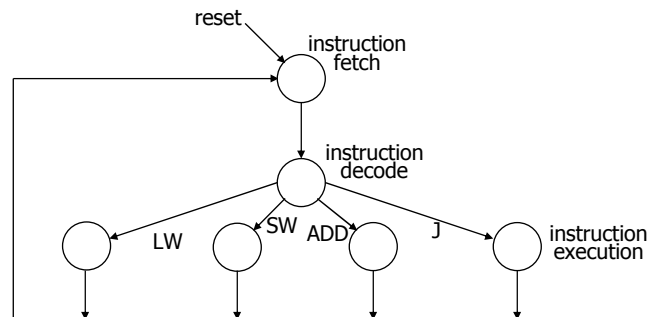
- How many states are needed to accomplish these transfers?
  - data dependencies (where do values that are needed come from?)
  - resource conflicts (ALU, busses, etc.)
- In our case, it takes three cycles
  - one for each step
  - all operation within a cycle occur between rising edges of the clock
- How do we set all of the control signals to be output by the state machine?
  - depends on the type of machine (Mealy, Moore, synchronous Mealy)

## Review of FSM timing



## FSM controller for CPU (skeletal Moore FSM)

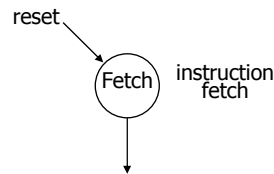
- First pass at deriving the state diagram (Moore machine)
  - these will be further refined into sub-states



## FSM controller for CPU (reset and inst. fetch)

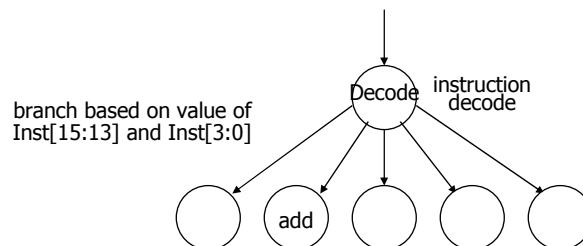
- Assume Moore machine
  - outputs associated with states rather than arcs
- Reset state and instruction fetch sequence
- On reset (go to Fetch state)
  - start fetching instructions
  - PC will set itself to zero

$mabus \leftarrow PC;$   
 $memory\ read;$   
 $IR \leftarrow memory\ data\ bus;$   
 $PC \leftarrow PC + 1;$



## FSM controller for CPU (decode)

- Operation decode state
  - next state branch based on operation code in instruction
  - read two operands out of register file
    - what if the instruction doesn't have two operands?



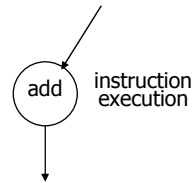


## FSM controller for CPU (instruction execution)

- For add instruction
  - configure ALU and store result in register

$$rd \leftarrow A + B$$

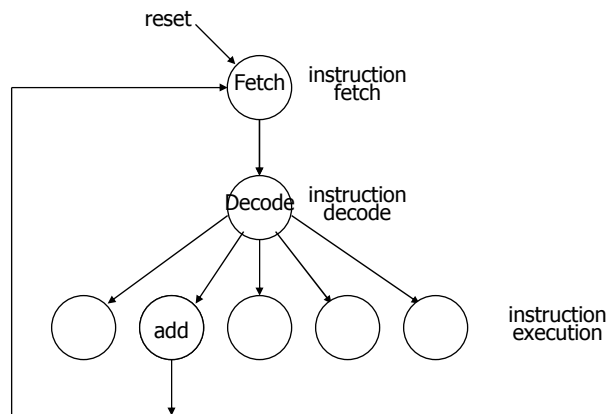
- other instructions may require multiple cycles



## FSM controller for CPU (add instruction)

- Putting it all together and closing the loop

- the famous instruction fetch decode execute cycle



## FSM controller for CPU

- Now we need to repeat this for all the instructions of our processor
  - fetch and decode states stay the same
  - different execution states for each instruction
    - some may require multiple states if available register transfer paths require sequencing of steps