

# CSE 369 QUIZ 2

Name: \_\_\_\_\_

UWNetID: \_\_\_\_\_

**Please do not turn the page until 11:30.**

## Instructions

- This quiz contains 4 pages, including this cover page. You may use the backs of the pages for scratch work.
- Please clearly indicate (box, circle) your final answer.
- The quiz is closed book and closed notes.
- Please silence and put away all cell phones and other mobile or noise-making devices.
- Remove all hats, headphones, and watches.
- You have 25 minutes to complete this quiz.

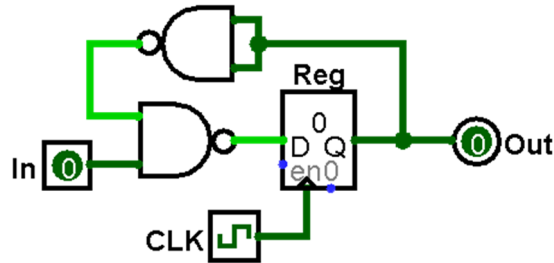
## Advice

- Read questions carefully before starting. Read *all* questions first and start where you feel the most confident to maximize the use of your time.
- There may be partial credit for incomplete answers; please show your work.
- Relax. You are here to learn.

Question	Points	Score
(1) SL & Timing	6	
(2) FSM Implementation	9	
(3) FSM Design	11	
<b>Total:</b>	<b>26</b>	

**Question 1: Sequential Logic & Timing [6 pts]**

Consider the following circuit diagram with  $t_{period} = 150 \text{ ns}$  ( $10^{-9} \text{ s}$ ),  $t_{NAND} = 35 \text{ ns}$ , and  $t_{c2Q} = 50 \text{ ns}$ . Assume that In changes **10 ns** after every clock trigger.



- (A) Calculate the **maximum setup time** that will allow the circuit to function correctly. Make sure to *include units*. [3 pts]

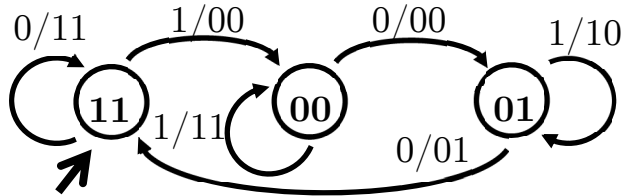
$$t_{setup} \leq$$

- (B) Calculate the **maximum hold time** that will allow the circuit to function correctly. Make sure to *include units*. [3 pts]

$$t_{hold} \leq$$

**Question 2: Finite State Machine Implementation [9 pts]**

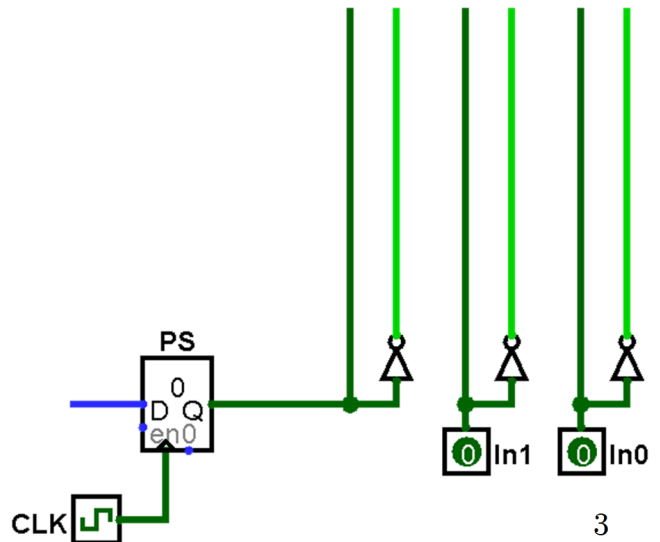
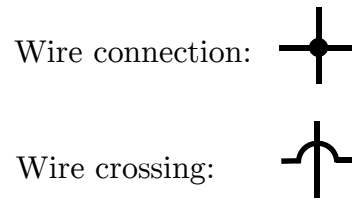
(A) Fill in the provided truth table based on the FSM shown. [2 pts]



PS <sub>1</sub>	PS <sub>0</sub>	In	NS <sub>1</sub>	NS <sub>0</sub>	Out <sub>1</sub>	Out <sub>0</sub>
0	0	0	0	1		0
0	0	1	0	0	1	
0	1	0	1	1		1
0	1	1	0	1		0
1	0	0	X		X	X
1	0	1	X		X	X
1	1	0		1	1	1
1	1	1	0		0	0

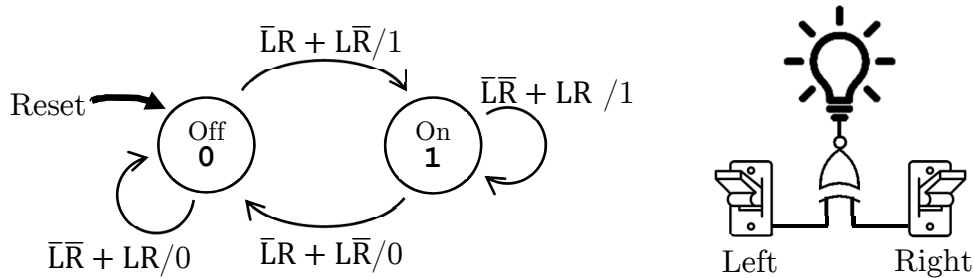
(B) Complete the circuit diagram below using *minimal logic* based on the truth table shown below. You are welcome to use 2- and 3-input logic gates. [7 pts]

PS	In <sub>1</sub>	In <sub>0</sub>	NS	Out
0	0	0	1	0
0	0	1	0	0
0	1	0	X	X
0	1	1	0	1
1	0	0	0	0
1	0	1	0	1
1	1	0	X	X
1	1	1	0	1



### Question 3: Finite State Machine Design [11 pts]

The following FSM represents a 3-way switch, where two switches (left and right) control the same light. If both switches are in the same position (*i.e.* both up or both down), then the output (light bulb) is on (1), otherwise it is off (0). Here the inputs L and R are 1 if someone flips (off→on or on→off) the left or right switch, respectively.



- (A) How many total rows are in the truth table for the 3-way switch FSM? How many of the rows are filled with Don't Cares? [2 pt]

Rows:	Don't Care Rows:
-------	------------------

- (B) What is the max number of transitions per state in this FSM? [2 pt]

Max Transitions Per State:
----------------------------

- (C) Complete the testbench initial block to *thoroughly* test the state diagram. Even though they may be unnecessary, please fill in all blanks. You are welcome to fill out the Verilog comments to help you keep track of state, but these will not be graded. [7 pts]

```

initial begin
    L <= 0;      R <= 0;      // state: 0
    @(posedge clk); L <= ____; R <= ____; // state: ____
    @(posedge clk); L <= 1;      R <= 1;      // state: ____
    @(posedge clk); L <= ____; R <= ____; // state: ____
    @(posedge clk); L <= 1;      R <= 1;      // state: ____
    @(posedge clk); L <= 0;      R <= 1;      // state: ____
    @(posedge clk); L <= ____; R <= ____; // state: ____
    @(posedge clk); L <= 1;      R <= 0;      // state: ____
    @(posedge clk);
    $stop();
end
```