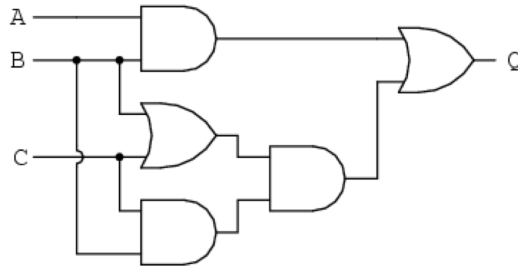


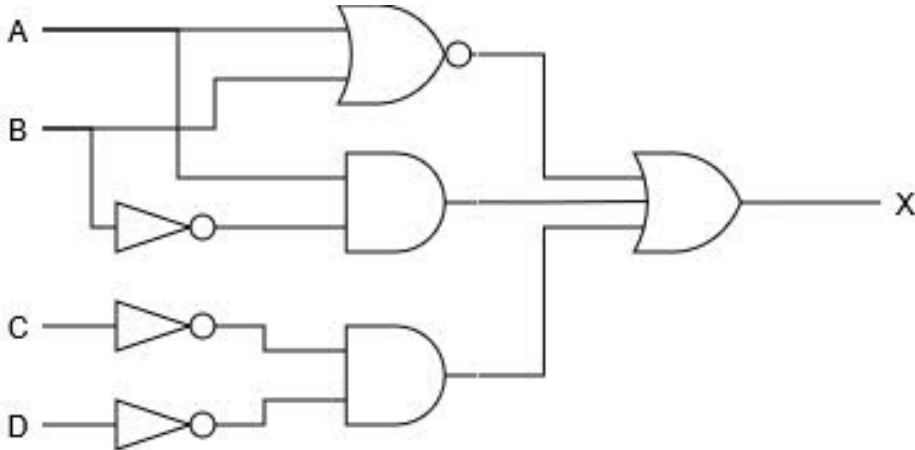
Exercise 1 – Gates Galore

- a) Write out the Boolean Algebra expression for Q for the following circuit.
- b) Simplify the expression for Q.



Exercise 2 – Keep It Simple

Find the simplified Boolean expression for the following diagram:



Exercise 3 – Universal Gates

Implement the Boolean expression $B(A + C)$ with the fewest number of a single universal gate. What does your solution look like?