

Virtual Memory II

CSE 351 Autumn 2020

Instructor:

Justin Hsia

Teaching Assistants:

Aman Mohammed

Cosmo Wang

Joy Dang

Kyrie Dowling

Yan Zhe Ong

Ami Oka

Hang Do

Julia Wang

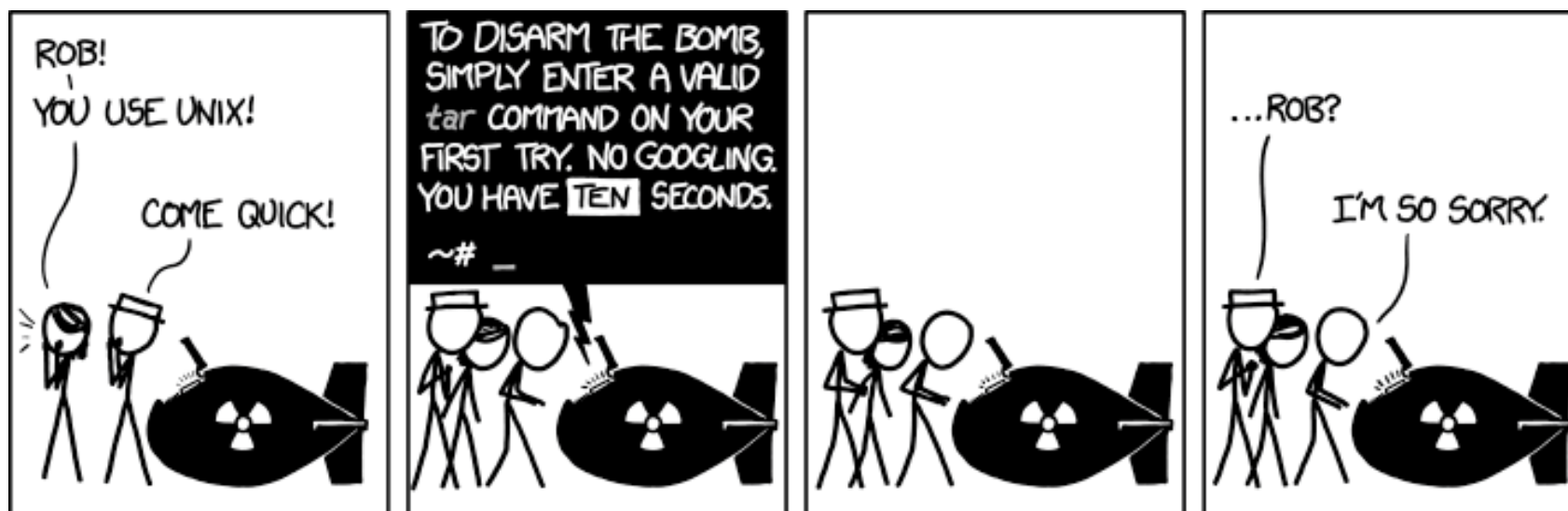
Mariam Mayanja

Callum Walker

Jim Limprasert

Kaelin Laundry

Shawn Stanley

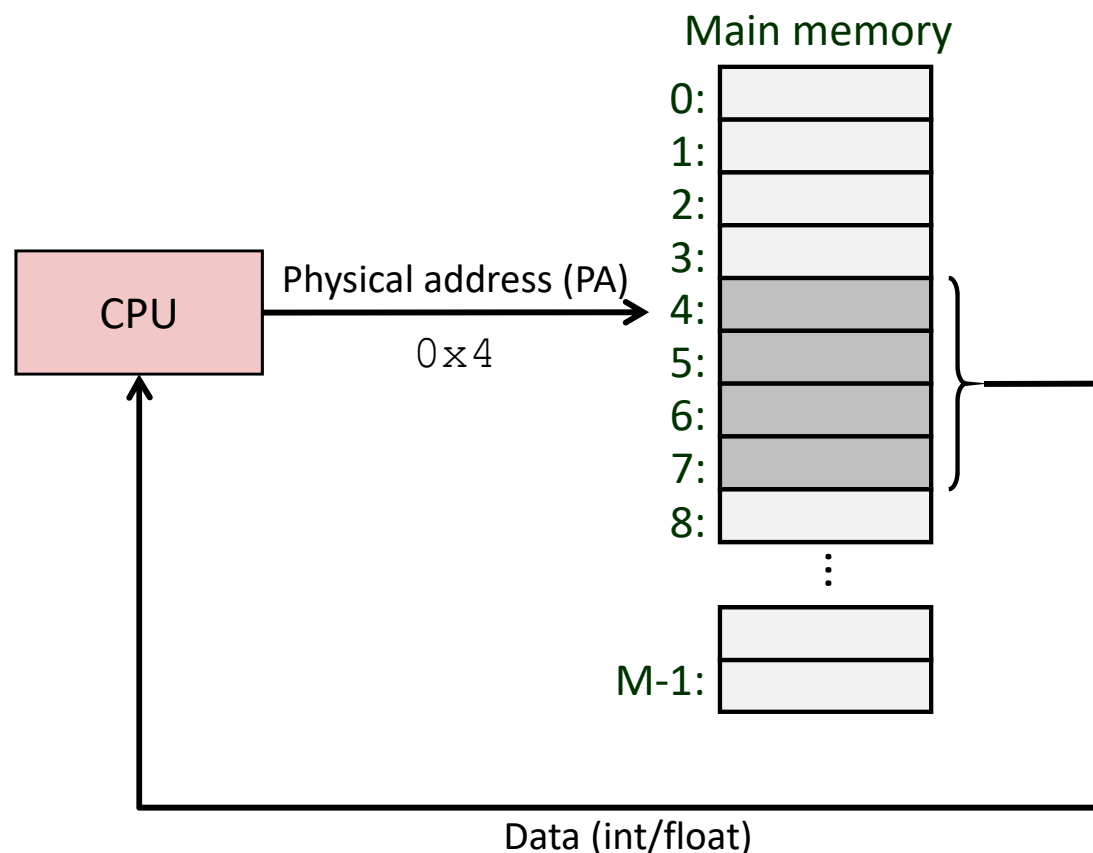


<http://xkcd.com/1831/>

Administrivia

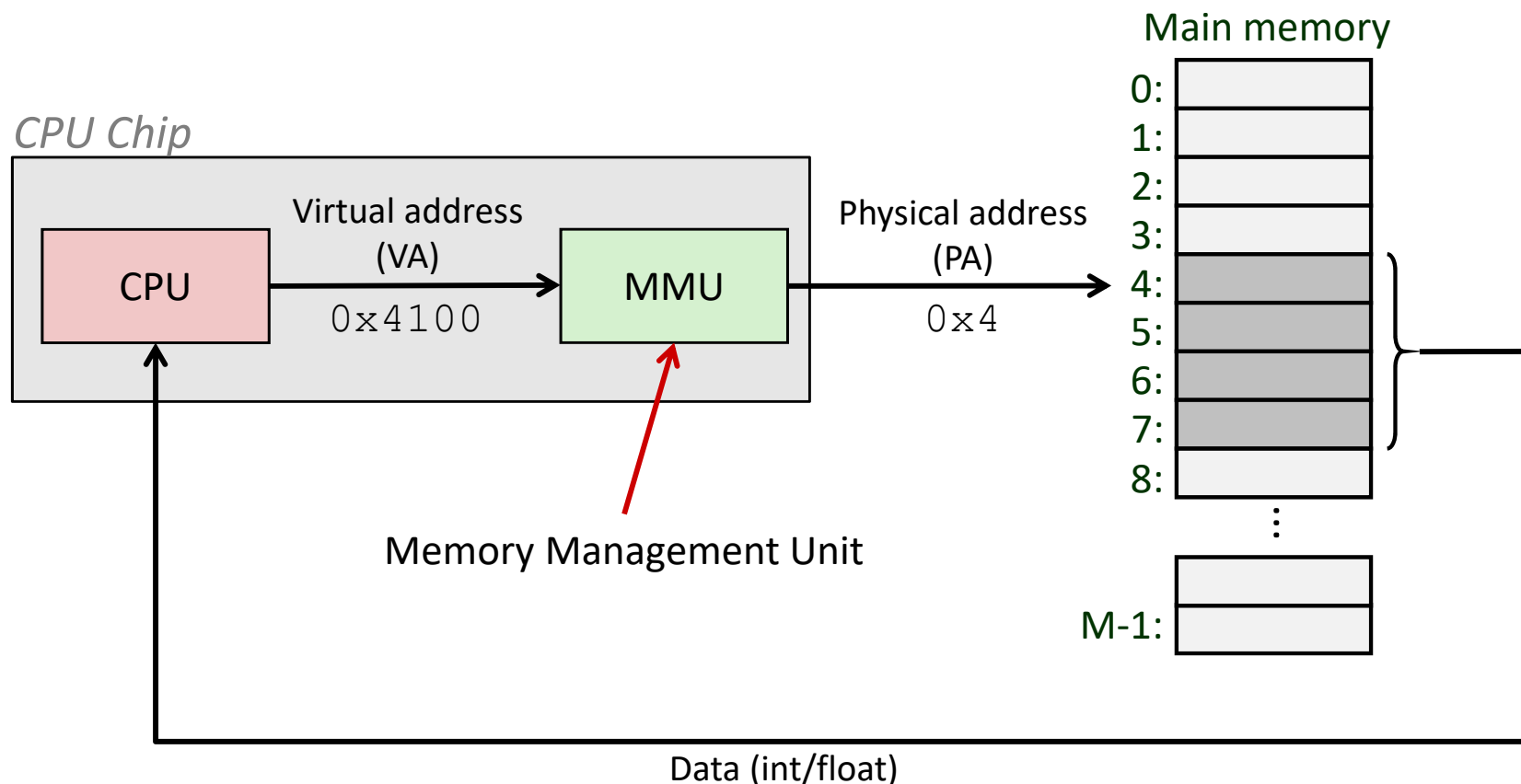
- ❖ hw21 due *Friday*, hw22 due Monday
- ❖ Lab 4 also due Monday (11/30)
- ❖ Midterm retake will be Dec. 3-4 (Thu & Fri)
 - Opt-in survey on Canvas open until Dec. 2 @ 1 pm – only one submission, can't back out
 - Similar to individual stage, scores will be *averaged*
- ❖ Final dates will be decided & announced soon
 - Expect some scheduling tweaks

A System Using Physical Addressing



- ❖ Used in “simple” systems with (usually) just one process:
 - Embedded microcontrollers in devices like cars, elevators, and digital picture frames

A System Using Virtual Addressing



- ❖ Physical addresses are *completely invisible to programs*
 - Used in all modern desktops, laptops, servers, smartphones...
 - One of the great ideas in computer science

Why Virtual Memory (VM)?

- ❖ Efficient use of limited main memory (RAM)
 - Use RAM as a cache for the parts of a virtual address space
 - Some non-cached parts stored on disk
 - Some (unallocated) non-cached parts stored nowhere
 - Keep only active areas of virtual address space in memory
 - Transfer data back and forth as needed
- ❖ Simplifies memory management for programmers
 - Each process “gets” the same full, private linear address space
- ❖ Isolates address spaces (protection)
 - One process can't interfere with another's memory
 - They operate in *different address spaces*
 - User process cannot access privileged information
 - Different sections of address spaces have different permissions

Reading Review

- ❖ Terminology:
 - Paging: page size (P), page offset width (p) virtual page number (VPN), physical page numbers (PPN)
 - Page table (PT): page table entry (PTE), access rights (read, write, execute)

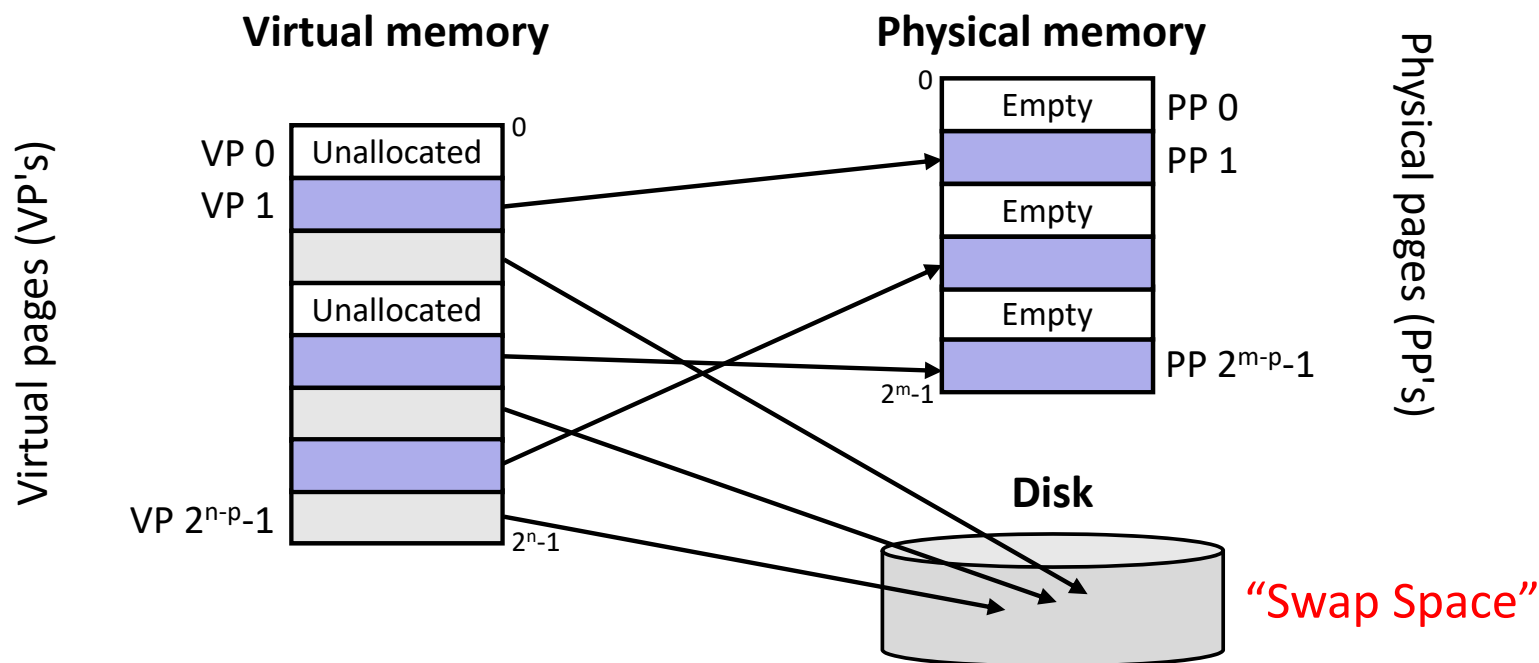
- ❖ Questions from the Reading?

Review Questions

- ❖ Which terms from caching are most similar/analogous to the new virtual memory terms?
 - page size
 - page offset width
 - virtual page number
 - physical page number
 - page table entry
 - access rights

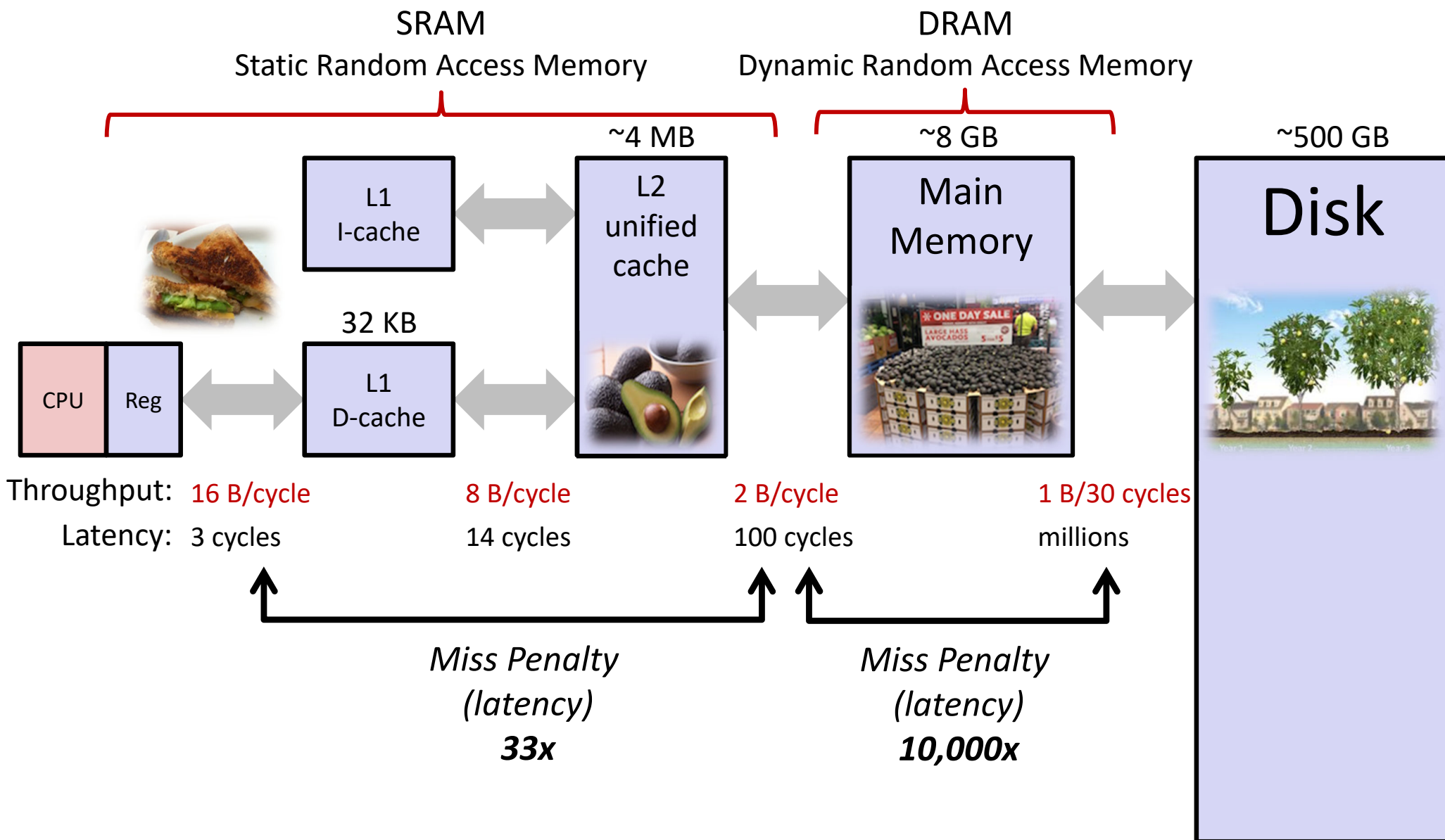
VM and the Memory Hierarchy

- ❖ Think of memory (virtual or physical) as an array of bytes, now split into *pages*
 - Pages are another unit of aligned memory (size is $P = 2^p$ bytes)
 - Each virtual page can be stored in *any* physical page (no fragmentation!)
- ❖ Pages of virtual memory are usually stored in physical memory, but sometimes spill to disk



Memory Hierarchy: Core 2 Duo

Not drawn to scale



Virtual Memory Design Consequences

- ❖ Large page size: typically 4-8 KiB or 2-4 MiB
 - *Can* be up to 1 GiB (for “Big Data” apps on big computers)
 - Compared with 64-byte cache blocks
- ❖ Fully associative
 - Any virtual page can be placed in any physical page
 - Requires a “large” mapping function – different from CPU caches
- ❖ Highly sophisticated, expensive replacement algorithms in OS
 - Too complicated and open-ended to be implemented in hardware
- ❖ *Write-back* rather than *write-through*
 - *Really* don't want to write to disk every time we modify memory
 - Some things may never end up on disk (*e.g.*, stack for short-lived process)

Why does VM work on RAM/disk?

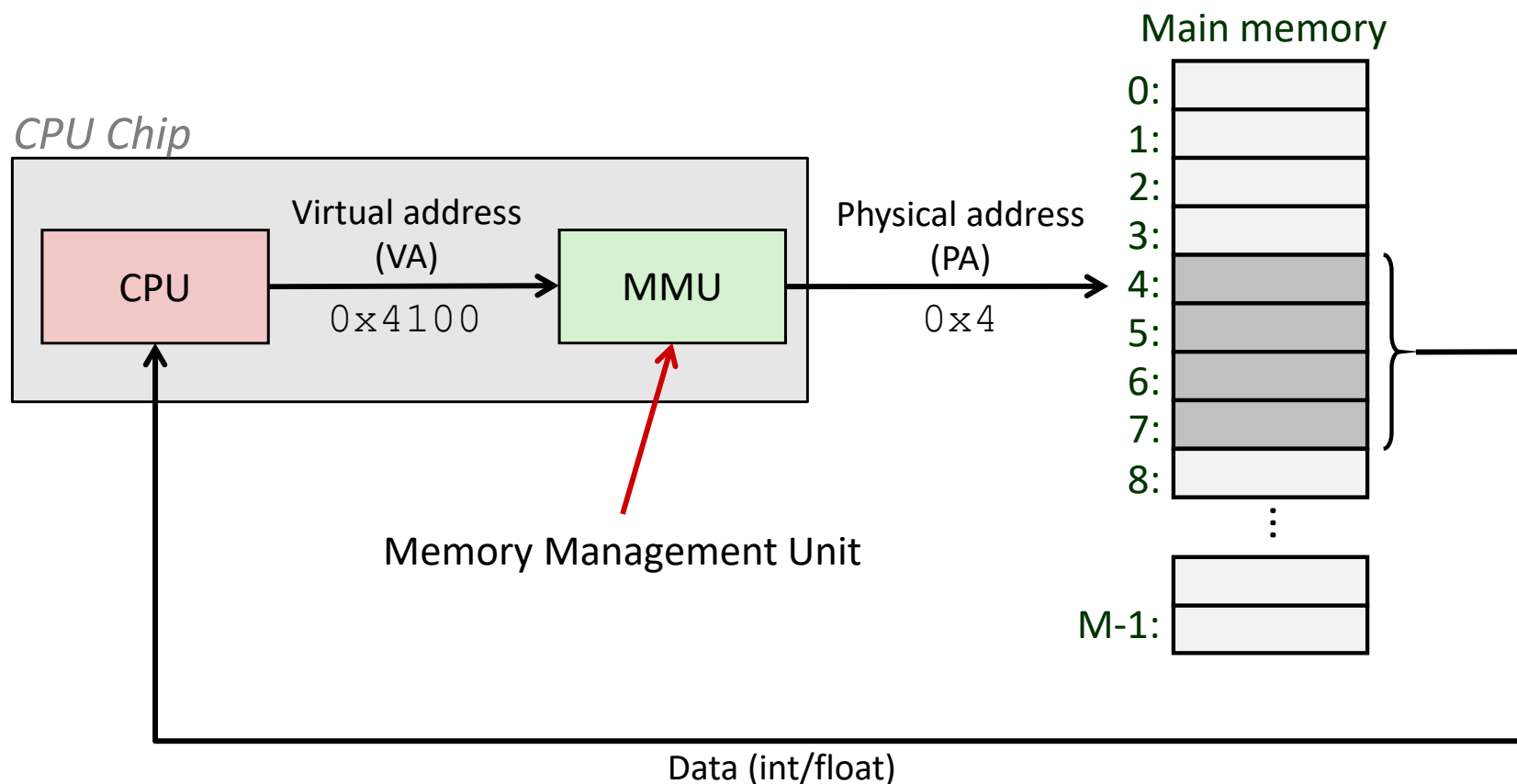
- ❖ Avoids disk accesses because of *locality*
 - Same reason that L1 / L2 / L3 caches work
- ❖ The set of virtual pages that a program is “actively” accessing at any point in time is called its *working set*
 - If (*working set of one process* \leq *physical memory*):
 - Good performance for one process (after compulsory misses)
 - If (*working sets of all processes* $>$ *physical memory*):
 - **Thrashing**: Performance meltdown where pages are swapped between memory and disk continuously (CPU always waiting or paging)
 - This is why your computer can feel faster when you add RAM

Virtual Memory (VM)

- ❖ Overview and motivation
- ❖ VM as a tool for caching
- ❖ **Address translation**
- ❖ VM as a tool for memory management
- ❖ VM as a tool for memory protection

Address Translation

*How do we perform the virtual
→ physical address translation?*



Address Translation: Page Tables

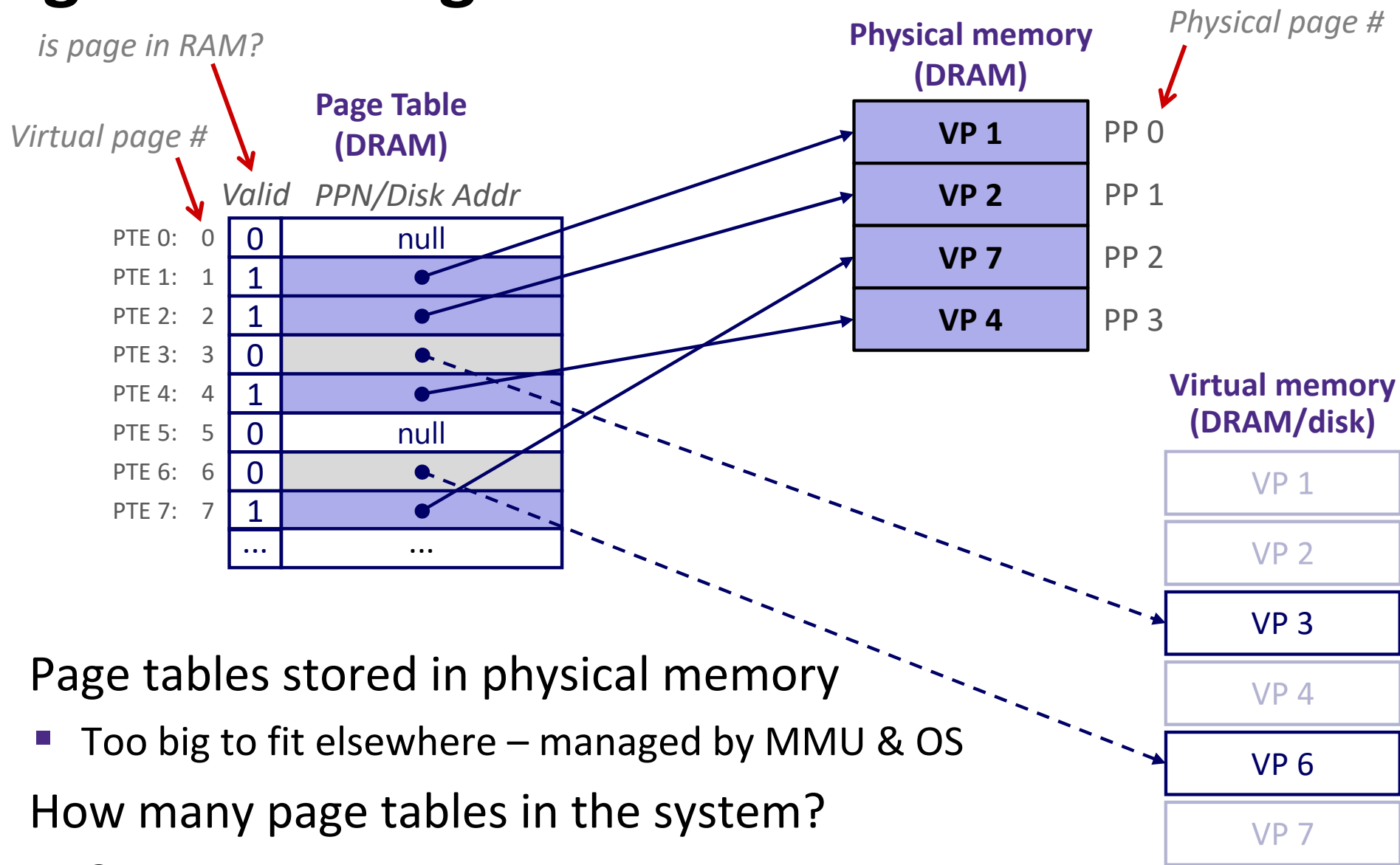
- ❖ CPU-generated address can be split into:

n -bit address:

| | |
|---------------------|-------------|
| Virtual Page Number | Page Offset |
|---------------------|-------------|

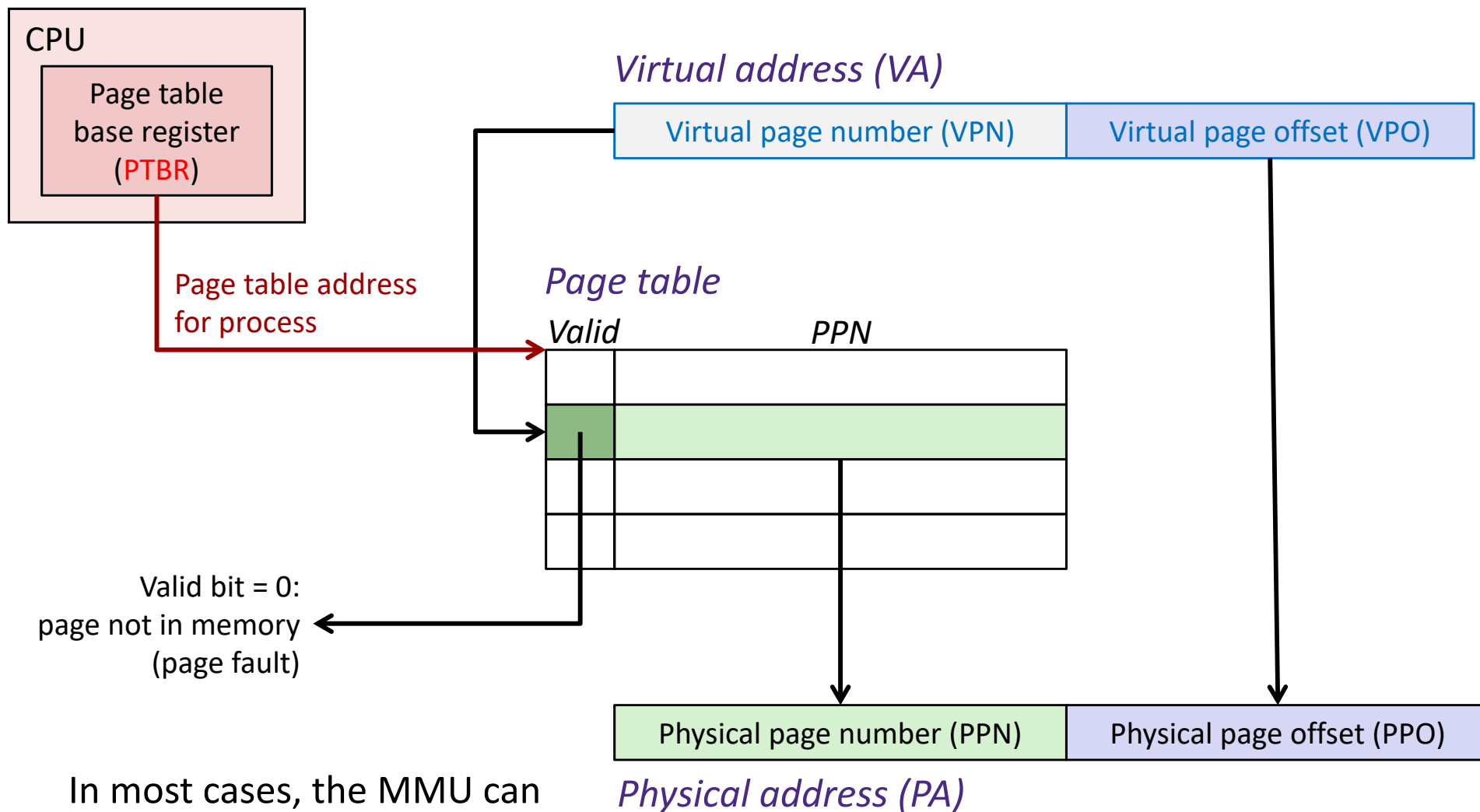
- Request is Virtual Address (**VA**), want Physical Address (**PA**)
- Note that Physical Offset = Virtual Offset (page-aligned)
- ❖ Use lookup table that we call the *page table* (**PT**)
 - Replace Virtual Page Number (**VPN**) for Physical Page Number (**PPN**) to generate Physical Address
 - Index PT using VPN: page table entry (**PTE**) stores the PPN plus management bits (*e.g.*, Valid, Dirty, access rights)
 - Has an entry for *every* virtual page

Page Table Diagram



- ❖ Page tables stored in physical memory
 - Too big to fit elsewhere – managed by MMU & OS
- ❖ How many page tables in the system?
 - *One per process*

Page Table Address Translation



In most cases, the MMU can perform this translation without software assistance

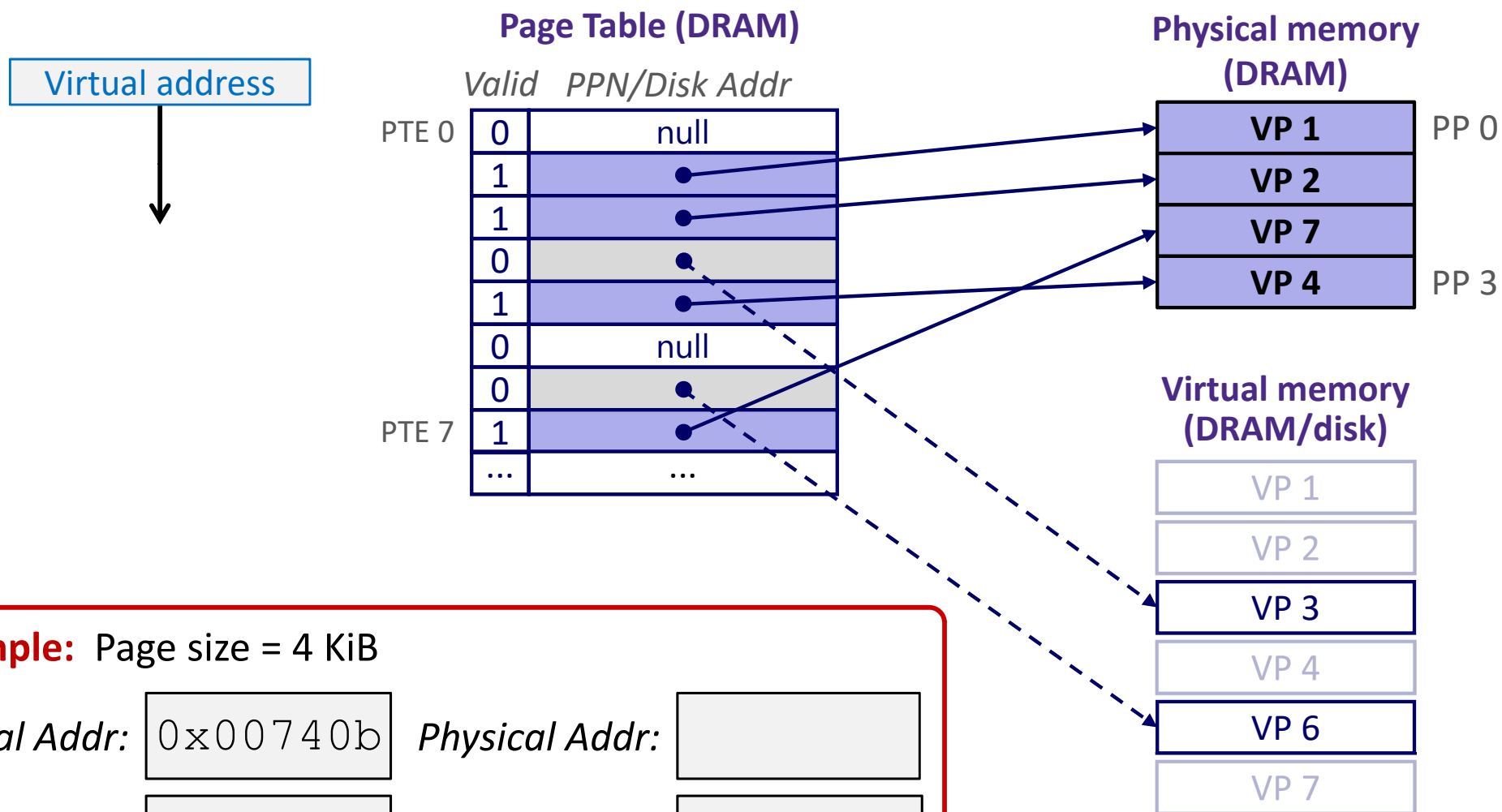
Polling Question

- ❖ How many bits wide are the following fields?
 - 16-KiB pages
 - 48-bit virtual addresses
 - 16 GiB physical memory
 - Vote in Ed Lessons

| | VPN | PPN |
|-----|-----|-----|
| (A) | 34 | 24 |
| (B) | 32 | 18 |
| (C) | 30 | 20 |
| (D) | 34 | 20 |

Page Hit

❖ **Page hit:** VM reference is in physical memory



Example: Page size = 4 KiB

Virtual Addr: 0x00740b

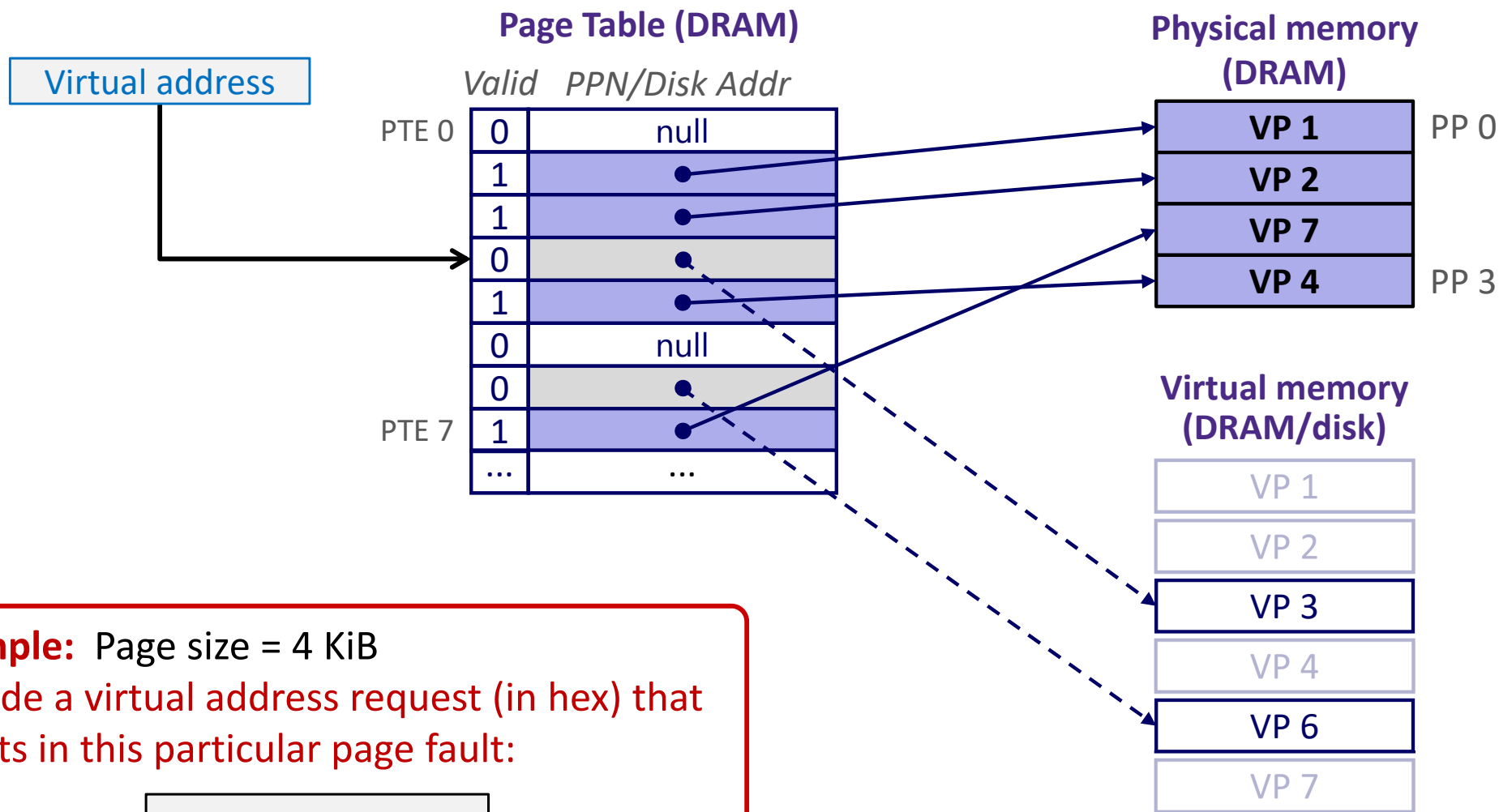
Physical Addr:

VPN:

PPN:

Page Fault

❖ **Page fault:** VM reference is NOT in physical memory



Example: Page size = 4 KiB
 Provide a virtual address request (in hex) that results in this particular page fault:

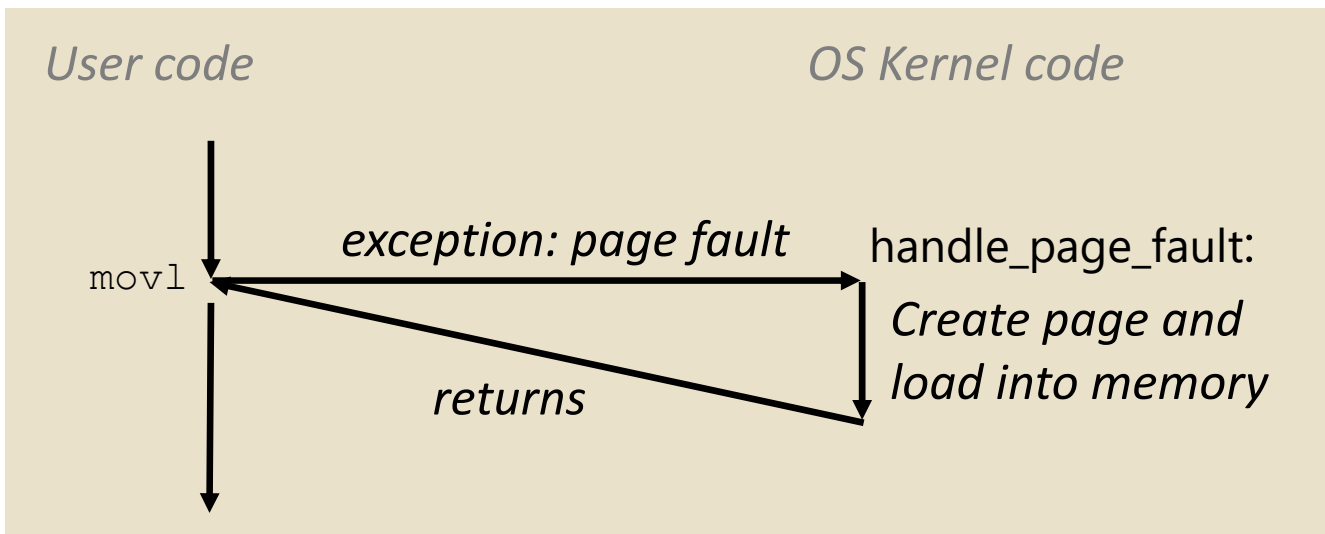
Virtual Addr:

Reminder: Page Fault Exception

- ❖ User writes to memory location
- ❖ That portion (page) of user's memory is currently on disk

```
int a[1000];
int main () {
    a[500] = 13;
}
```

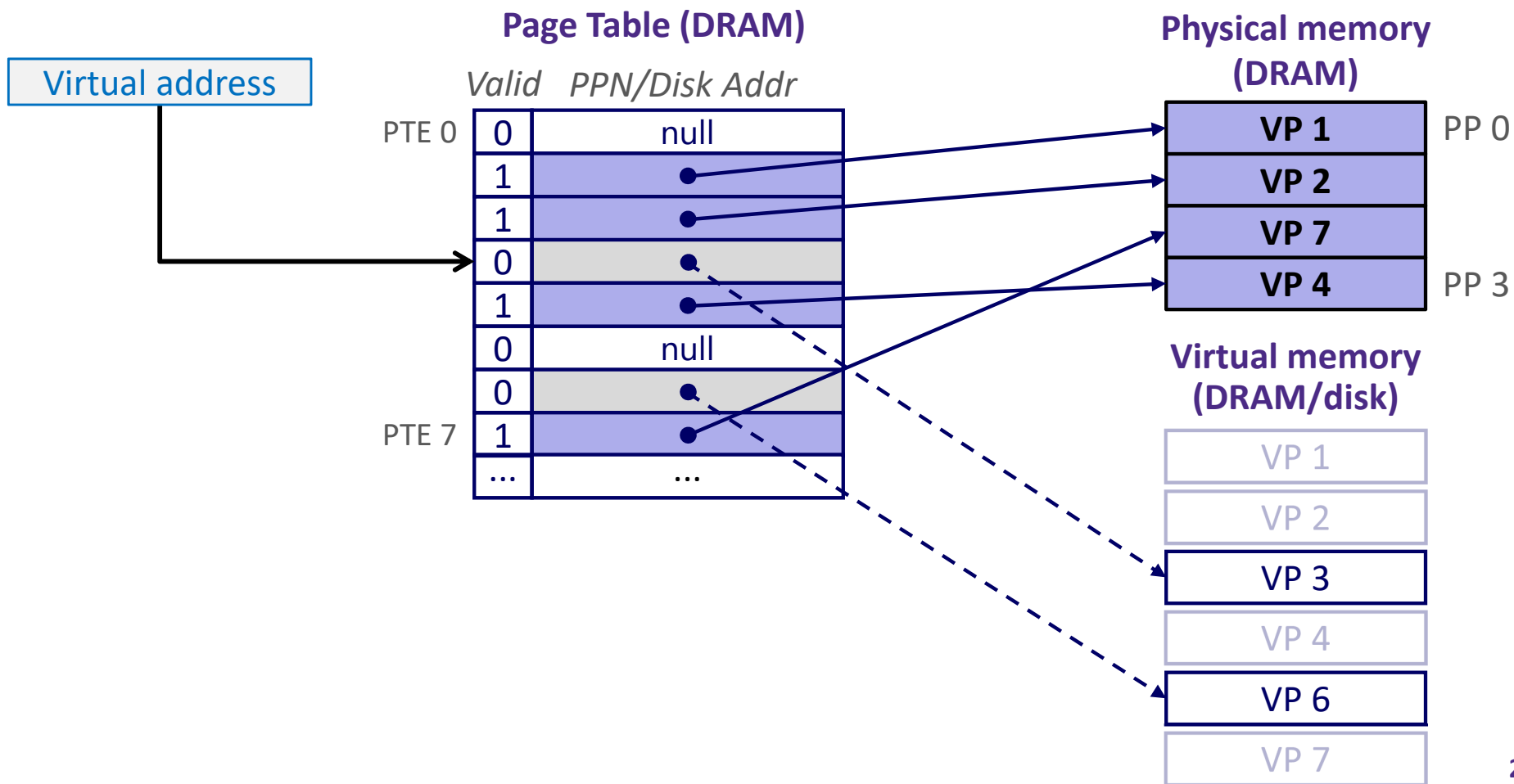
```
80483b7:      c7 05 10 9d 04 08 0d  movl   $0xd,0x8049d10
```



- ❖ Page fault handler must load page into physical memory
- ❖ Returns to faulting instruction: `mov` is executed again!
 - Successful on second try

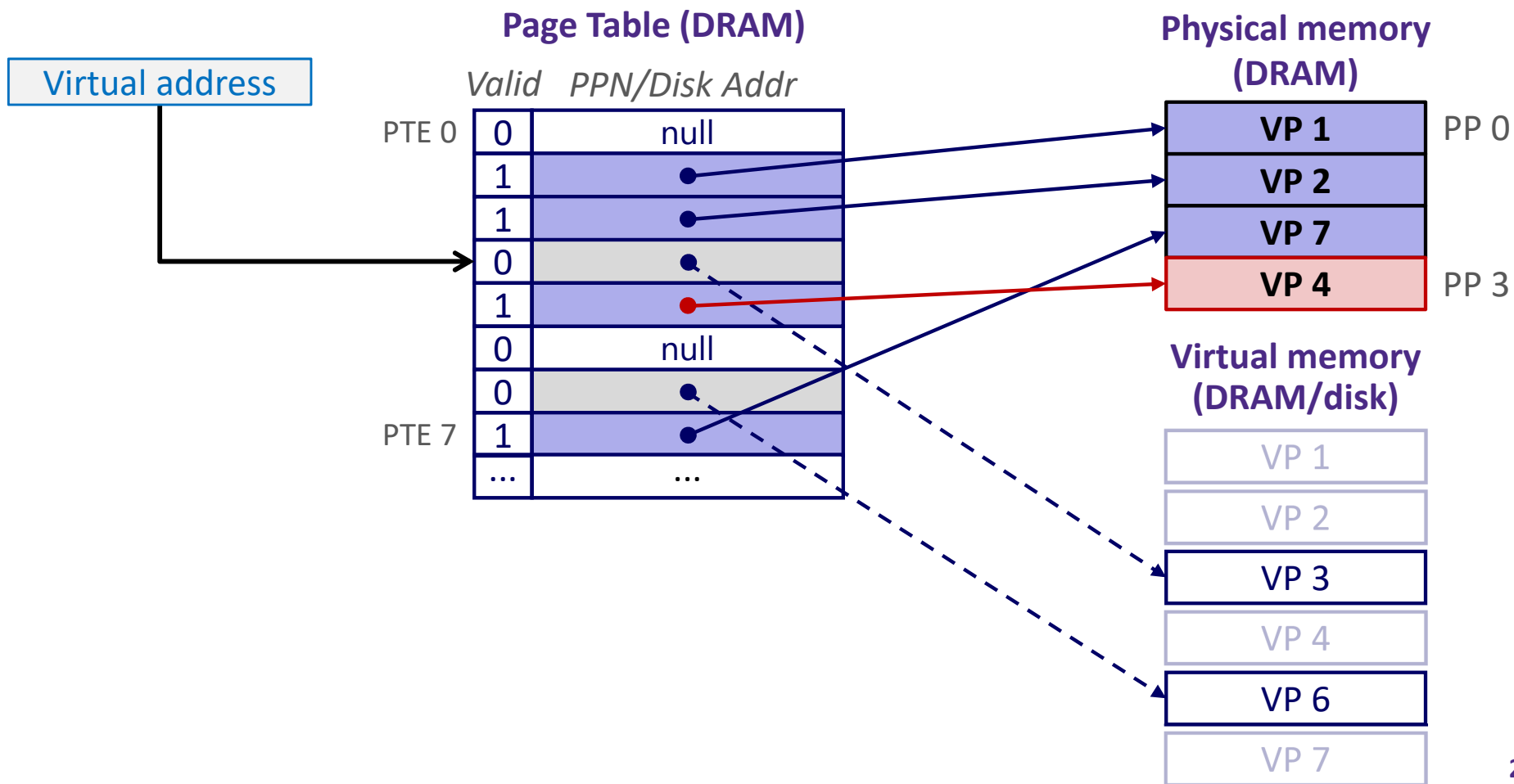
Handling a Page Fault

- ❖ Page miss causes page fault (an exception)



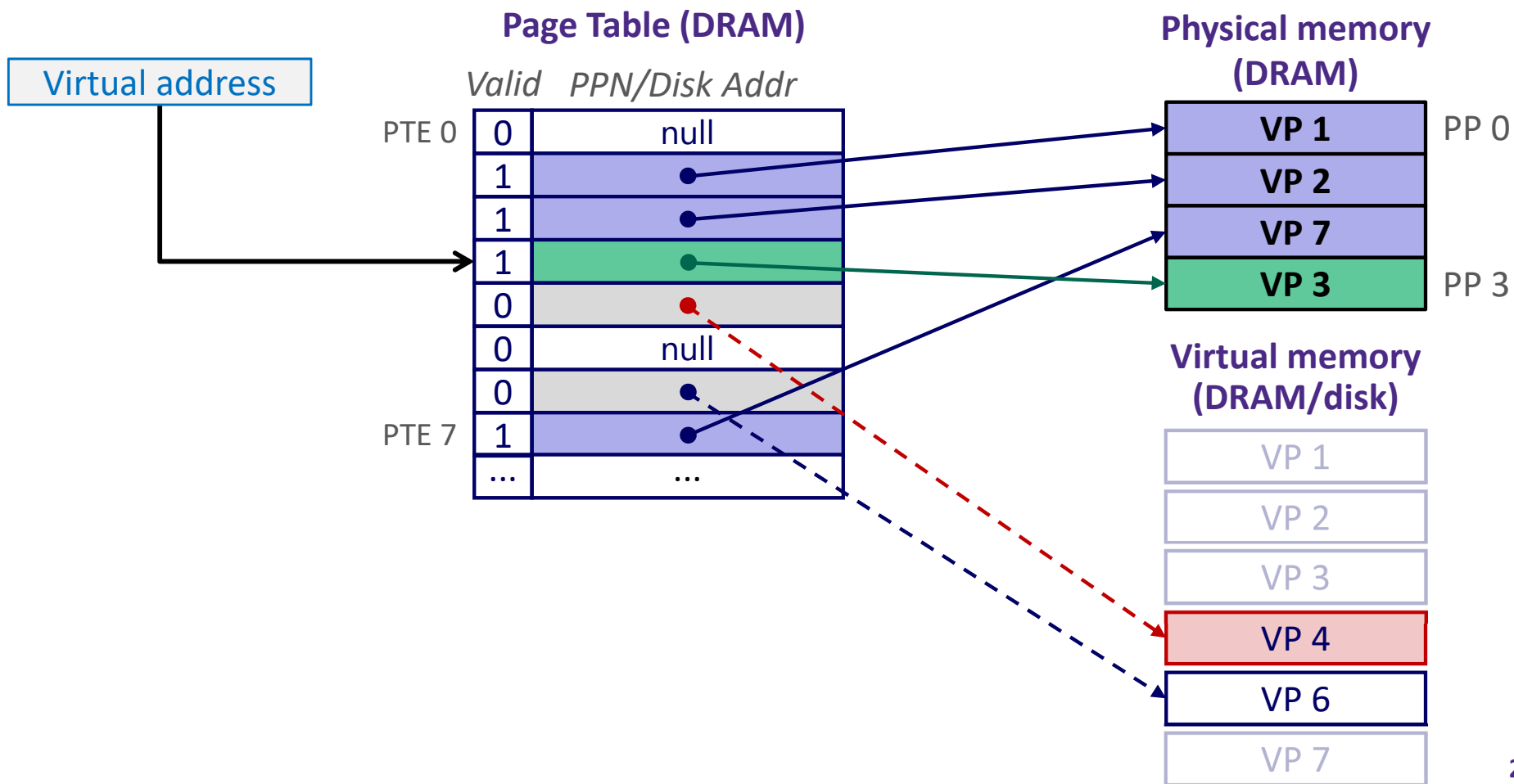
Handling a Page Fault

- ❖ Page miss causes page fault (an exception)
- ❖ Page fault handler selects a *victim* to be evicted (here VP 4)



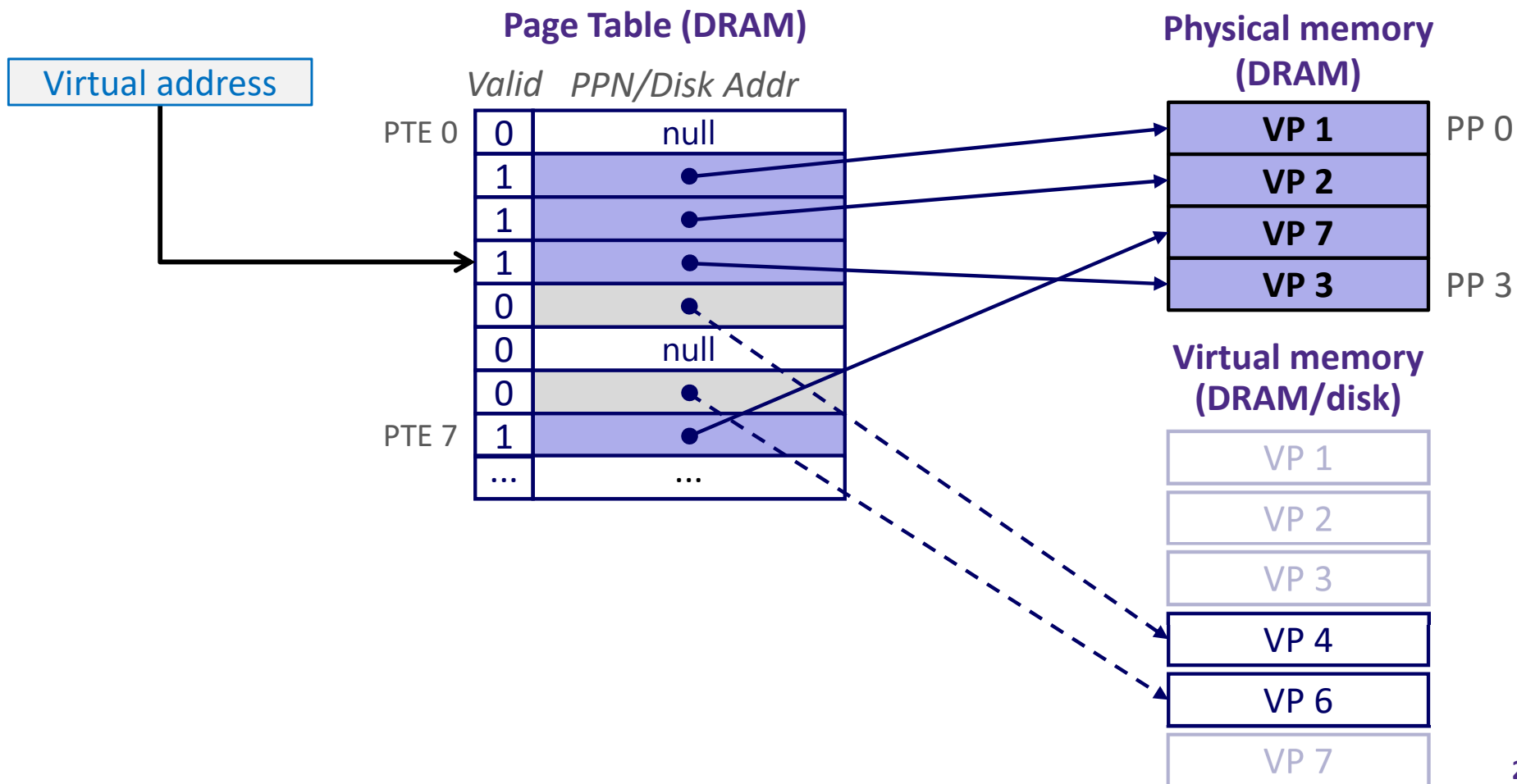
Handling a Page Fault

- ❖ Page miss causes page fault (an exception)
- ❖ Page fault handler selects a *victim* to be evicted (here VP 4)



Handling a Page Fault

- ❖ Page miss causes page fault (an exception)
- ❖ Page fault handler selects a *victim* to be evicted (here VP 4)
- ❖ **Offending instruction is restarted: page hit!**

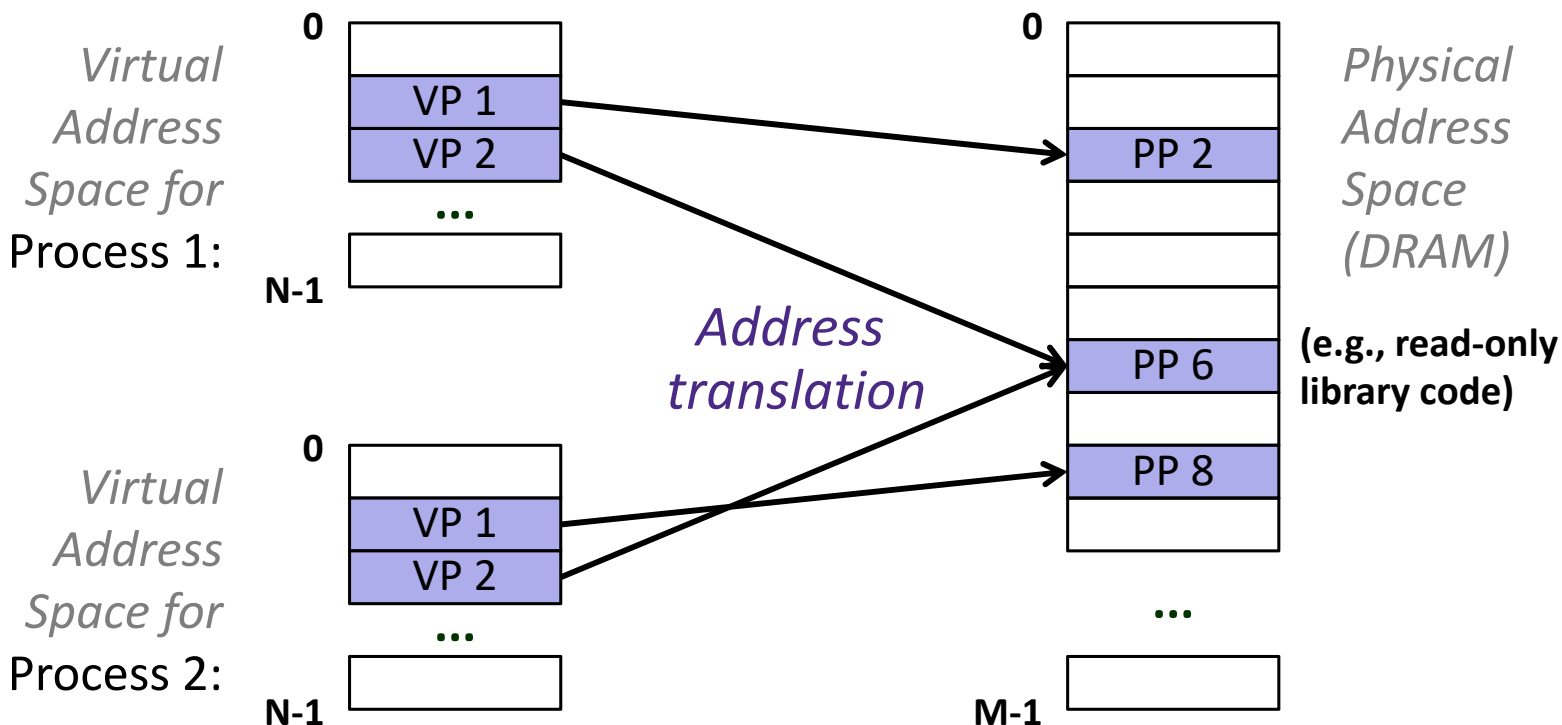


Virtual Memory (VM)

- ❖ Overview and motivation
- ❖ VM as a tool for caching
- ❖ Address translation
- ❖ **VM as a tool for memory management**
- ❖ **VM as a tool for memory protection**

VM for Managing Multiple Processes

- ❖ Key abstraction: each process has its own virtual address space
 - It can view memory as *a simple linear array*
- ❖ With virtual memory, this simple linear virtual address space **need not be contiguous in physical memory**
 - Process needs to store data in another VP? Just map it to *any* PP!



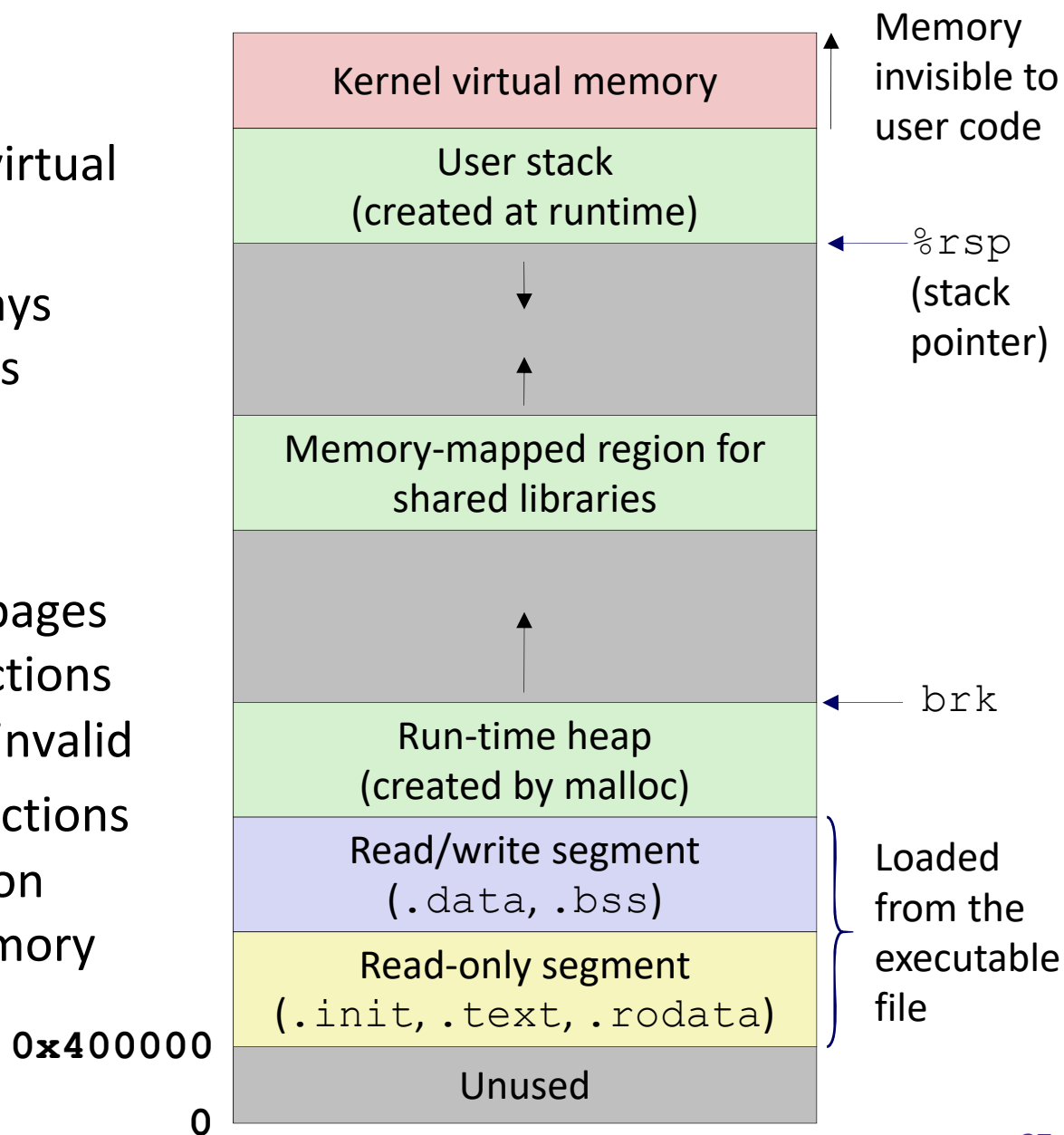
Simplifying Linking and Loading

❖ Linking

- Each program has similar virtual address space
- Code, Data, and Heap always start at the same addresses

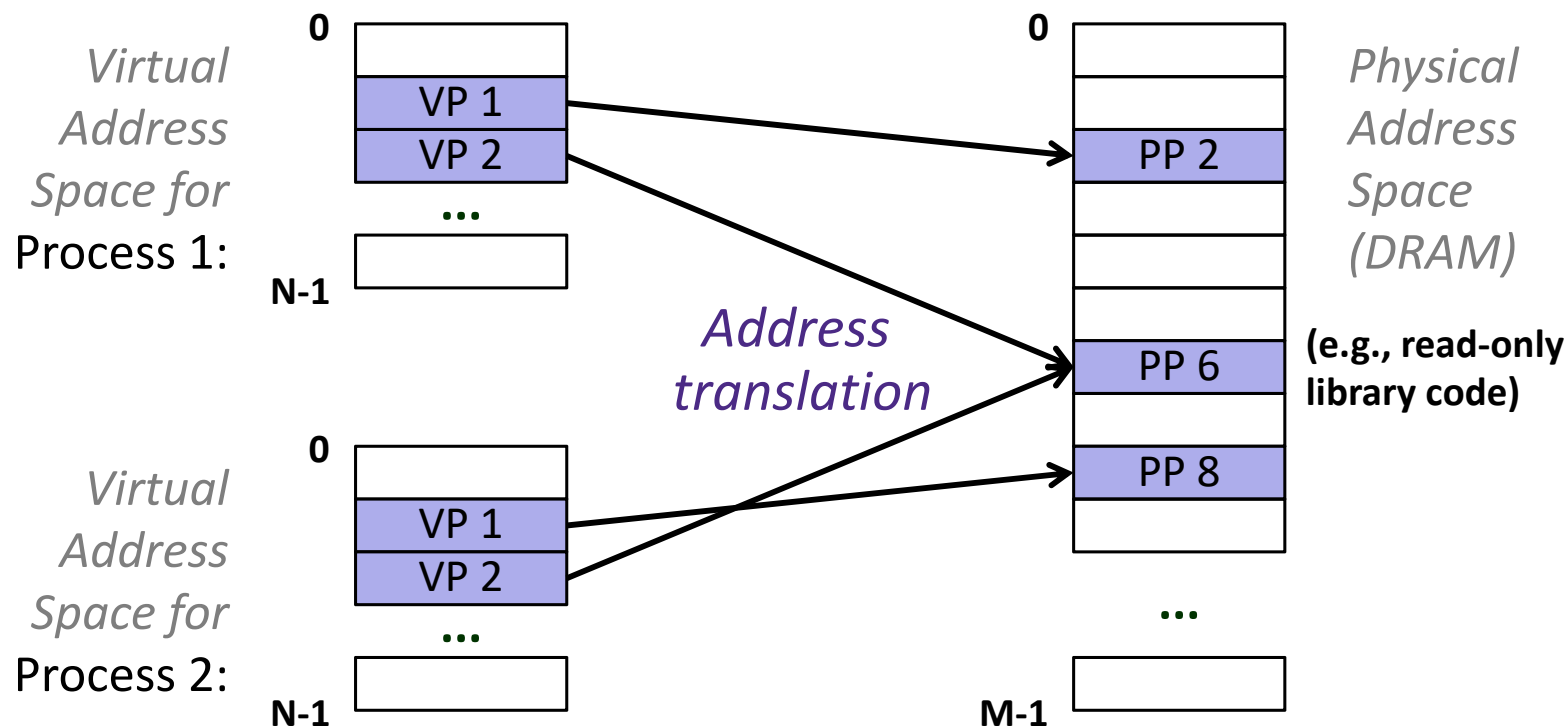
❖ Loading

- `execve` allocates virtual pages for `.text` and `.data` sections & creates PTEs marked as invalid
- The `.text` and `.data` sections are copied, page by page, on demand by the virtual memory system



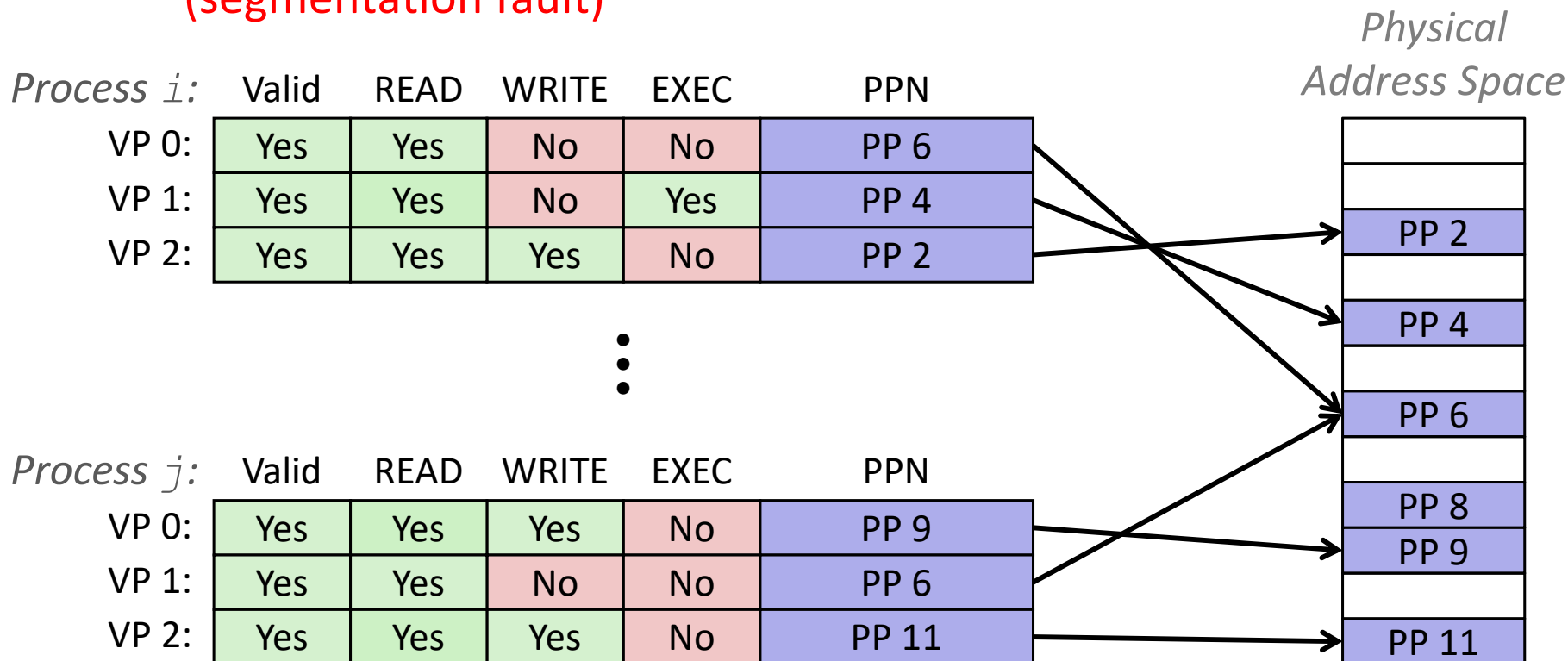
VM for Protection and Sharing

- ❖ The mapping of VPs to PPs provides a simple mechanism to *protect* memory and to *share* memory between processes
 - **Sharing:** map virtual pages in separate address spaces to the same physical page (here: PP 6)
 - **Protection:** process can't access physical pages to which none of its virtual pages are mapped (here: Process 2 can't access PP 2)



Memory Protection Within Process

- ❖ VM implements read/write/execute permissions
 - Extend page table entries with permission bits
 - MMU checks these permission bits on every memory access
 - If violated, raises exception and OS sends SIGSEGV signal to process (segmentation fault)



Memory Review Question

- ❖ What should the permission bits be for pages from the following sections of virtual memory?

| Section | Read | Write | Execute |
|--------------|------|-------|---------|
| Stack | | | |
| Heap | | | |
| Static Data | | | |
| Literals | | | |
| Instructions | | | |