

CSE 333

Section 6

HW3, C++, and Inheritance

When you mistype a keyword in C++



Ever have a moment like this
when programming?

Logistics

- **Exercise 14** due Tomorrow!
- **Exercise 12.5** due Monday!
- **HW3** due in 2 weeks!
 - Please please please start early :)



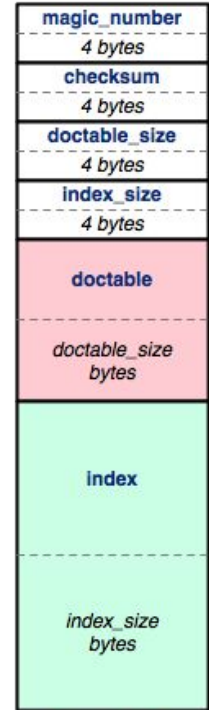
HW 3 Overview



Index File

Crawling the whole file tree takes a long time!

To save time we'll write the completed DocTable and MemIndex into a file!

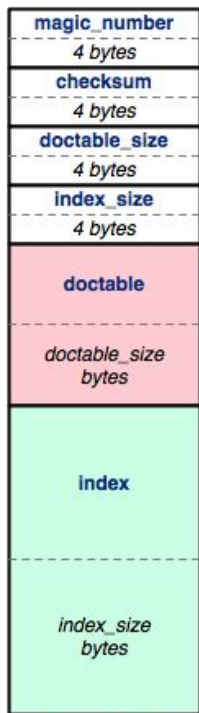


index file

Byte Ordering and Endianness

- Network (Disk) Byte Order (Big Endian)
 - The most significant byte is stored in the highest address
- Host byte order
 - Might be big or little endian, depending on the hardware
- To convert between orderings, we can use
 - `uint32_t htonl (uint32_t hostlong); // host to network`
 - `uint32_t ntohl (uint32_t netlong); // network to host`
- Pro-tip:
The structs in HW3 have `toDiskFormat()` and `toHostFormat()` functions that will convert endianness for you.

Index File Components



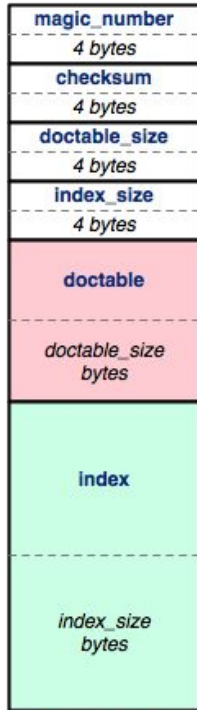
index file

Header (metadata)

DocTable

MemIndex

Index File Header



index file

- magic_number: 0xCAFEF00D
- checksum: mathematical signature
- doctable_size: in bytes
- index_size: in bytes

Index File Header - HEX

1. Find a hex editor/viewer of your choice
 - `xxd <indexfile>`
 - `hexdump -vC <indexfile>`
 - Pipe the output into a file or into `less` to view

```
0000000: cafe f00d 1c42 4620 0000 205b 0000 075d  ....BF .. [...]
0000010: 0000 0400 0000 0000 0000 2014 0000 0001  .....
0000020: 0000 2014 0000 0001 0000 2031 0000 0001  .. ..... 1...
0000030: 0000 204e 0000 0000 0000 206b 0000 0000  .. N..... k...
0000040: 0000 206b 0000 0000 0000 206b 0000 0000  .. k..... k...
0000050: 0000 206b 0000 0000 0000 206b 0000 0000  .. k..... k...
```

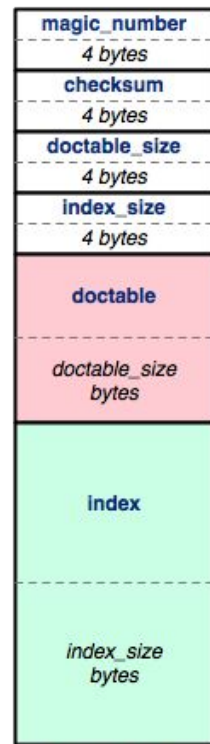
The header:

Magic word

Checksum

Doctable size

Index size



index file

Hex View

- emacs – “M-x hexl-mode”

```
File Edit Options Buffers Tools Hexl Help
87654321 0011 2233 4455 6677 8899 aabb ccdd eeff 0123456789abcdef
00000000: cafe f00d ff48 a0a1 0000 006a 0000 024e .....H.....j...N
00000010: 0000 0001 0000 0002 0000 001c 0000 0024 .....$
00000020: 0000 0054 0000 0000 0000 0002 0026 2e2f ...T.....&./
00000030: 7465 7374 5f74 7265 652f 7469 6e79 2f68 test_tree/tiny/h
00000040: 6f6d 652d 6f6e 2d74 6865 2d72 616e 6765 ome-on-the-range
00000050: 2e74 7874 0000 0000 0000 0001 001c 2e2f .txt...../
```

- vim – “:%!xxd”

```
00000000: cafe f00d ff48 a0a1 0000 006a 0000 024e .....H.....j...N
00000010: 0000 0001 0000 0002 0000 001c 0000 0024 .....$
00000020: 0000 0054 0000 0000 0000 0002 0026 2e2f ...T.....&./
00000030: 7465 7374 5f74 7265 652f 7469 6e79 2f68 test_tree/tiny/h
00000040: 6f6d 652d 6f6e 2d74 6865 2d72 616e 6765 ome-on-the-range
00000050: 2e74 7874 0000 0000 0000 0001 001c 2e2f .txt...../
```

Hex View

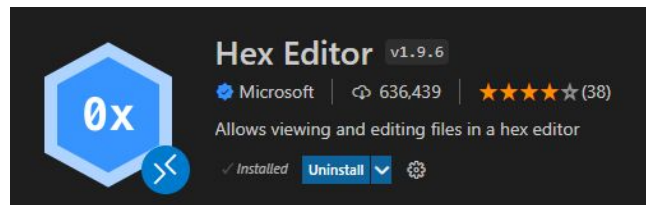
- emacs – “M-x hexl-mode”

```
File Edit Options Buffers Tools Hexl Help
87654321 0011 2233 4455 6677 8899 aabb ccdd eeff 0123456789abcdef
00000000: cafe f00d ff48 a0a1 0000 006a 0000 024e .....H.....j...N
00000010: 0000 0001 0000 0002 0000 001c 0000 0024 .....$
00000020: 0000 0054 0000 0000 0000 0002 0026 2e2f ...T.....&./
00000030: 7465 7374 5f74 7265 652f 7469 6e79 2f68 test_tree/tiny/h
00000040: 6f6d 652d 6f6e 2d74 6865 2d72 616e 6765 ome-on-the-range
00000050: 2e74 7874 0000 0000 0000 0001 001c 2e2f .txt...../
```

- vim – “:%!xxd”

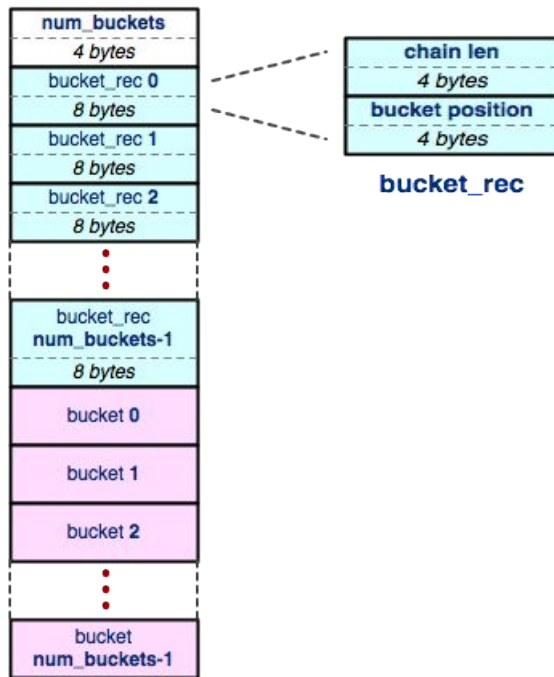
```
00000000: cafe f00d ff48 a0a1 0000 006a 0000 024e .....H.....j...N
00000010: 0000 0001 0000 0002 0000 001c 0000 0024 .....$
00000020: 0000 0054 0000 0000 0000 0002 0026 2e2f ...T.....&./
00000030: 7465 7374 5f74 7265 652f 7469 6e79 2f68 test_tree/tiny/h
00000040: 6f6d 652d 6f6e 2d74 6865 2d72 616e 6765 ome-on-the-range
00000050: 2e74 7874 0000 0000 0000 0001 001c 2e2f .txt...../
```

For those working in VSCode...



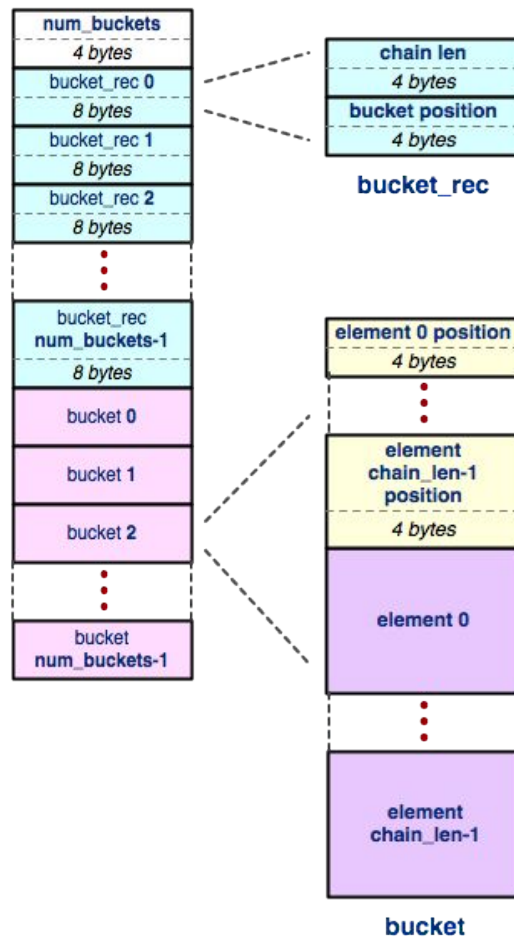
HashTable

- HashTable can have varying amount of buckets, so start with `num_buckets`.
- Buckets can be of varying lengths. To know the offset, we store some bucket records.

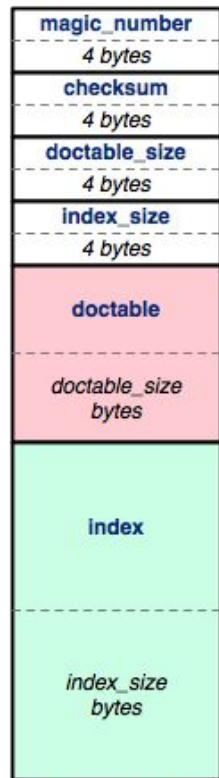


Buckets

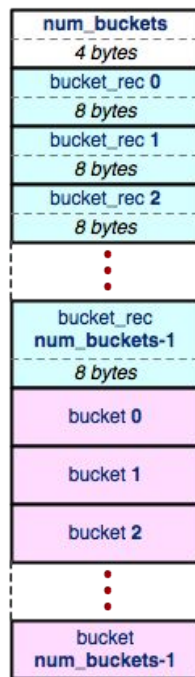
- A bucket is a list that contains elements in the table. Offset to a bucket is found in a bucket record.
- Elements can be of various sizes, so we need to store element positions to know where each element is.



DocTable



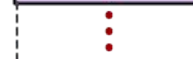
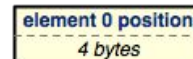
index file



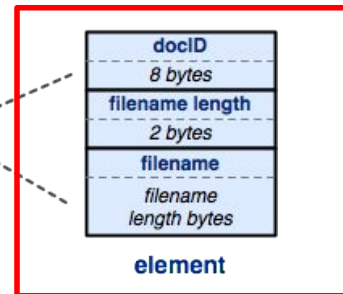
doctable



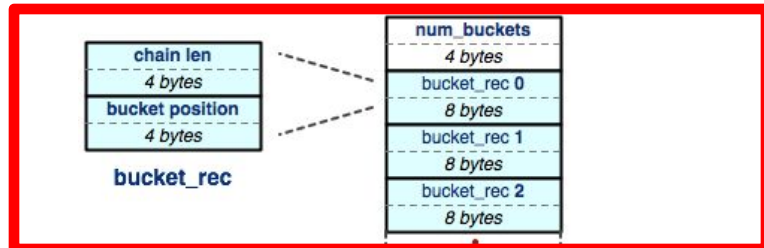
bucket_rec



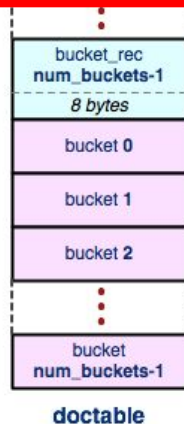
bucket



DocTable (Hex)



```
0000000: cafe f00d 1c42 4620 0000 205b 0000 075d .....BF .. [...]
0000010: 0000 0400 0000 0000 0000 2014 0000 0001 .....
0000020: 0000 2014 0000 0001 0000 2031 0000 0001 .. ..... 1...
0000030: 0000 204e 0000 0000 0000 206b 0000 0000 .. N..... k...
0000040: 0000 206b 0000 0000 0000 206b 0000 0000 .. k..... k...
0000050: 0000 206b 0000 0000 0000 206b 0000 0000 .. k..... k...
0002000: 0000 206b 0000 0000 0000 206b 0000 0000 .. k..... k...
0002010: 0000 206b 0000 2018 0000 0000 0000 0001 .. k.. .....
0002020: 000f 736d 616c 6c5f 6469 722f 632e 7478 ..small_dir/c.tx
0002030: 7400 0020 3500 0000 0000 0000 0200 0f73 t.. 5.....s
0002040: 6d61 6c6c 5f64 6972 2f62 2e74 7874 0000 mall_dir/b.txt..
0002050: 2052 0000 0000 0000 0003 000f 736d 616c R.....smal
0002060: 6c5f 6469 722f 612e 7478 7400 0000 8000 l_dir/a.txt....
0002070: 0000 0000 0024 6f00 0000 0000 0024 6f00 .....$o.....$o.
```



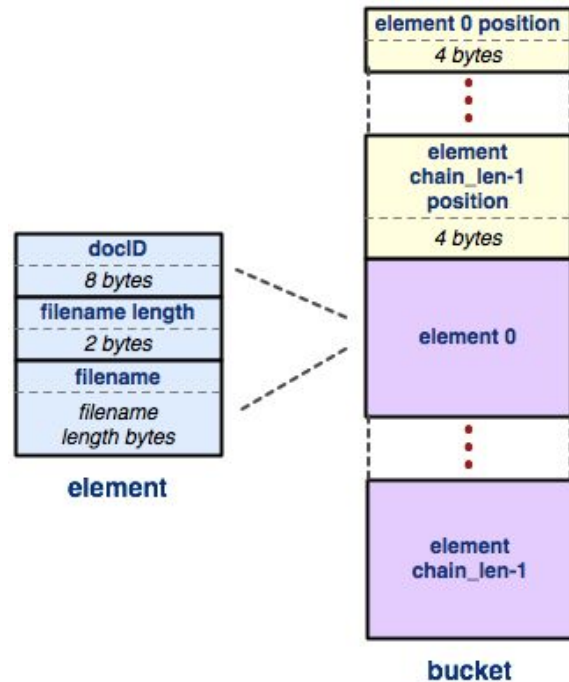
The header

Num buckets (Chain len Bucket offset)*

DocTable

```

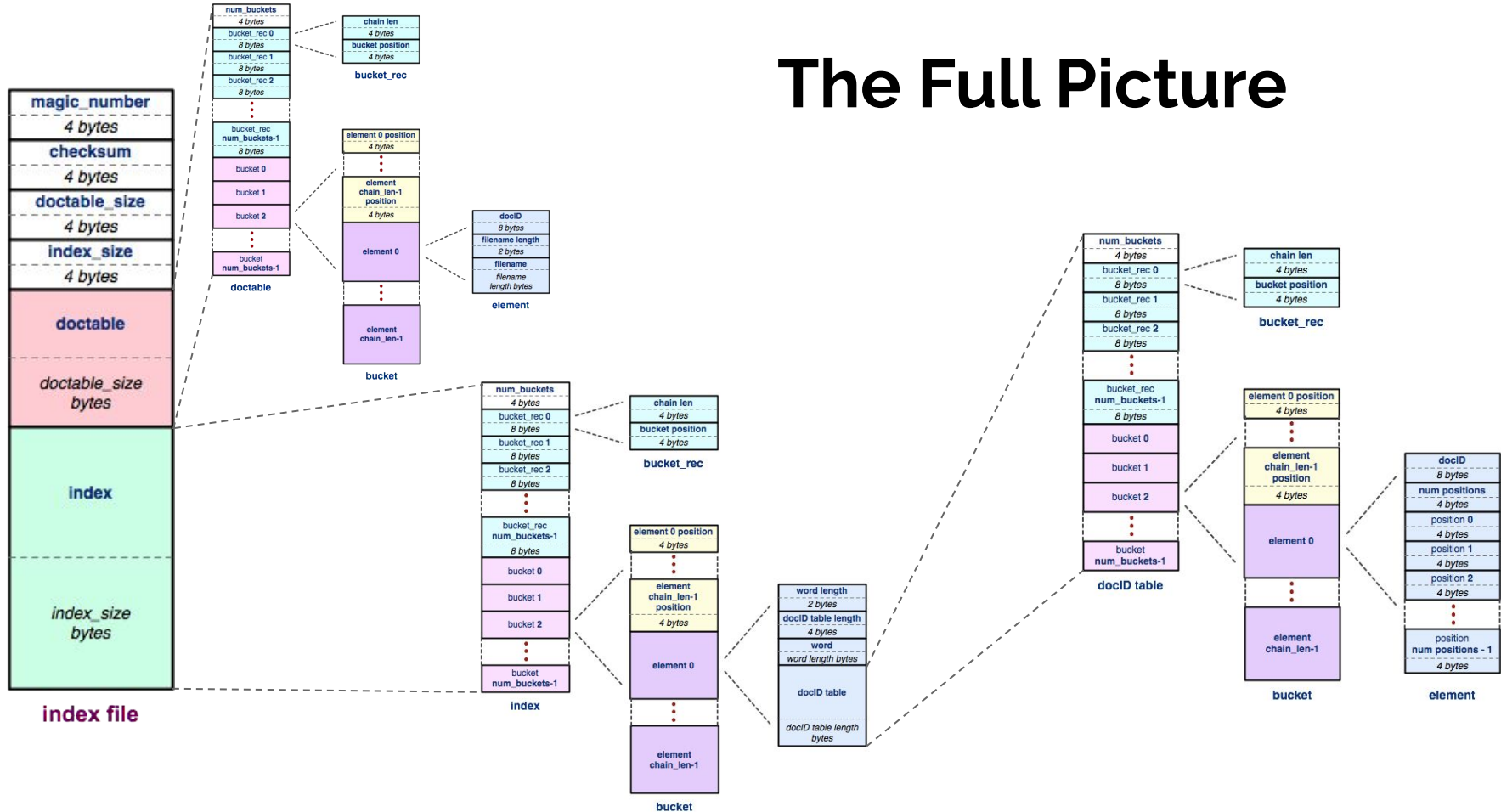
0002000: 0000 206b 0000 0000 0000 206b 0000 0000 .. k..... k....
0002010: 0000 206b 0000 2018 0000 0000 0000 0001 .. k.. .....
0002020: 000f 736d 616c 6c5f 6469 722f 632e 7478 ..small_dir/c.tx
0002030: 7400 0020 3500 0000 0000 0000 0200 0f73 t.. 5.....s
0002040: 6d61 6c6c 5f64 6972 2f62 2e74 7874 0000 mall_dir/b.txt..
  
```



The buckets: where n is equal to the number of elements

$$((\text{Element offset})^n (\text{DocID} \text{ Filename len} \text{ Filename})^n)^*$$

The Full Picture

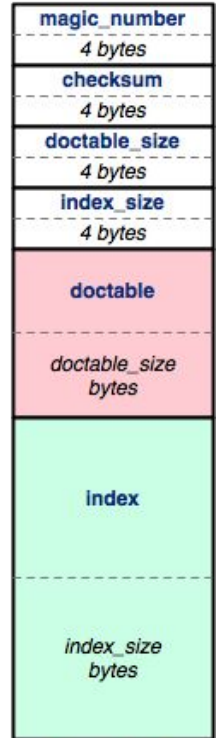


HW Tips

- When Writing, you should (almost) always:
 1. `.toDiskFormat()`
 2. `fseek()`
 3. `fwrite()`
- When Reading, you should (almost) always:
 1. `fseek()`
 2. `fread()`
 3. `.toHostFormat()`
- The most common bugs in the HW involve forgetting to change byte ordering, or forgetting to `fseek()`.

HW Tips: Index Checker (hw3fsck)

- Hw3fsck checks fields inside the file for reasonableness. Prints out a helpful message if it spots some kind of problem.
- More rigorous check on your index file you've produced
 - Run `./hw3fsck index_filename`
- Run after finishing WriteIndex.cc
- Can be found in hw3/hw3fsck directory (and compiled version in solution_binaries also)



index file

Hex View Exercise

- Take a look at

<https://courses.cs.washington.edu/courses/cse333/24sp/sections/sec07.idx>

- Download the file, then look into it using your viewer of choice.
- Try to figure out:
 - How many documents are in this index?
 - Which words are in each document?

Hex View Exercise

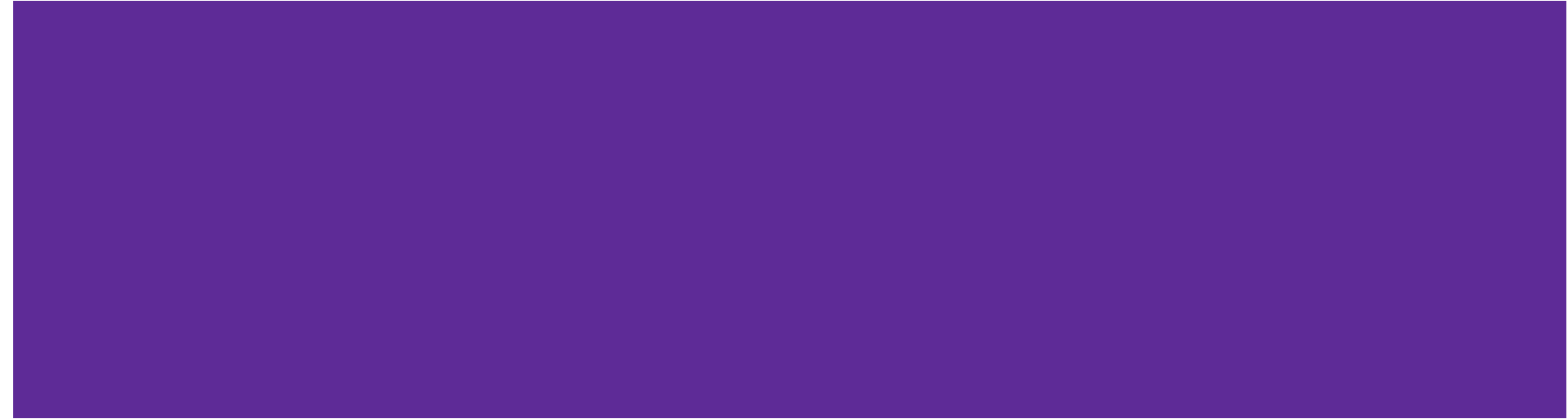
- Take a look at

<https://courses.cs.washington.edu/courses/cse333/24sp/sections/sec07.idx>

- Download the file, then look into it using your viewer of choice.
- Try to figure out:
 - How many documents are in this index?
 - Which words are in each document?

Answer: This index file was built off of test_tree/tiny so 2 documents, and 9 words.

Smart Pointers!



Review: Smart Pointers

- **std::shared_ptr** ([Documentation](#)) – Uses reference counting to determine when to delete a managed raw pointer
 - **std::weak_ptr** ([Documentation](#)) – Used in conjunction with `shared_ptr` but does **not** contribute to reference count
- **std::unique_ptr** ([Documentation](#)) – Uniquely manages a raw pointer
 - Used when you want to declare unique ownership of a pointer
 - Disabled cctor and op=

Using Smart Pointers

- Treat a smart pointer like a **normal (raw) pointer**, except now you **won't** have to use **delete** to deallocate memory!
 - You can use `*`, `->`, `[]` as you would with a raw pointer!

- **Initialize** a smart pointer by passing in a pointer to **heap memory**:

```
unique_ptr<int[]> u_ptr(new int[3]);
```

- For **shared_ptr** and **weak_ptr**, you can use `ctor` and `op=` to get a copy

```
shared_ptr<int[]> s_ptr(another_shared_ptr);
```

Using Smart Pointers cont.

- Want to transfer ownership from one `unique_ptr` to another ?

```
unique_ptr<T> V = std::move(unique_ptr<T> U);
```

- Want to convert your `weak_ptr` to a `shared_ptr`?

```
std::shared_ptr s = w.lock();
```

- Want to get the reference count of a `shared_ptr`?

```
int count = s.use_count();
```


Casting



Different Flavors of Casting

- `static_cast<type_to>(expression);`
Casting between related types
- `dynamic_cast<type_to>(expression);`
Casting pointers of similar types (only used with inheritance)
- `const_cast<type_to>(expression);`
Adding or removing **const**-ness of a type
- `reinterpret_cast<type_to>(expression);`
Casting between incompatible types of the **same size** (doesn't do float conversion)

Tips with Casting

- Style: Use C++ style casting in C++
 - Tradeoff: A little extra programming overhead and typing, but provides **clarity** to your programs
 - Be **explicit as possible** with your casting! This means if you notice multiple operations in an implicit cast, you should explicitly write out each cast!
- Read documentation of casting on which casting to use
 - Documentation: <https://www.cplusplus.com/articles/iG3hAqkS/>
 - The purpose of C++ casting is to be less ambiguous with what the casts you're using are actually doing

Inheritance



Inheritance

- Motivation: Better modularize our code for similar classes!
- The public interface of a derived class inherits all **non-private** member variables and functions (**except** for ctor, cctor, dtor, op=) from its base class
 - *Similar to:* A subclass inherits from a superclass
- Aside: We will be only using **public, single** inheritance in CSE 333

Polymorphism: Dynamic Dispatch

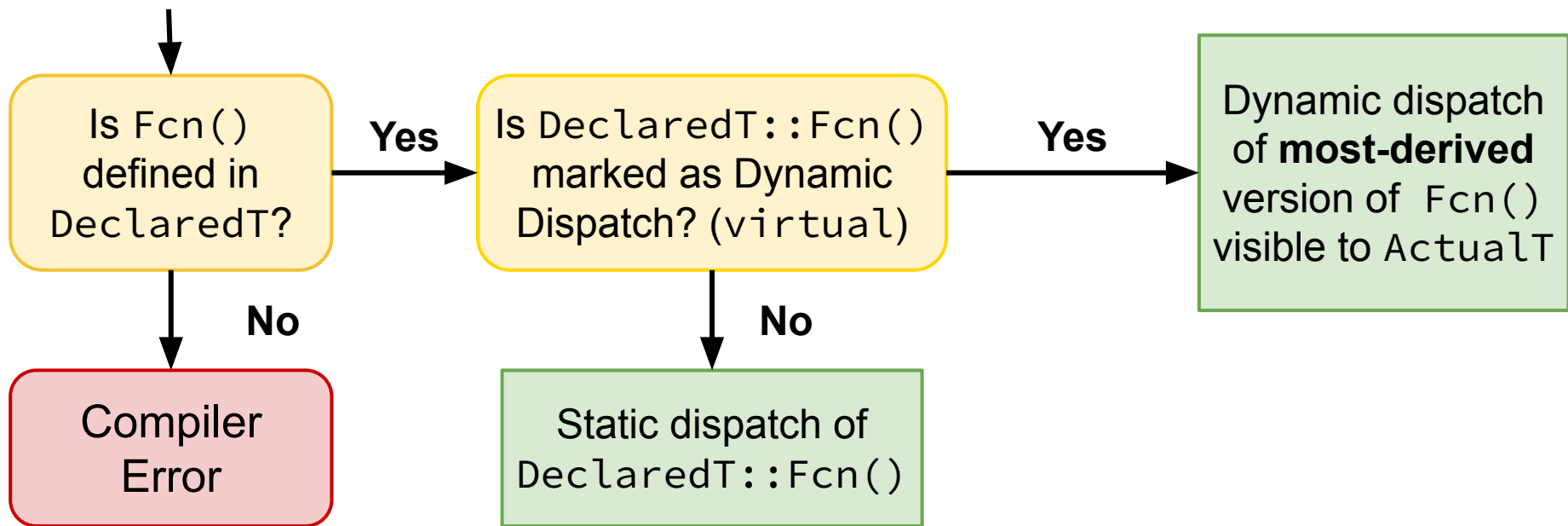
- **Polymorphism** allows for you to access objects of related types (base and derived classes) – Allows interface usage instead of class implementation
- **Dynamic dispatch**: Implementation is determined *at runtime* via lookup
 - Allows you to call the **most-derived** version of the actual type of an object
 - Generally want to use this when you have a derived class
- `virtual` replaces the class's default **static dispatch** with **dynamic dispatch**
 - Static dispatch determines implementation at compile time
 - Meaning it does **not** use dynamic dispatch (just calls its function)

Dynamic Dispatch: Style Considerations

- Defining Dynamic Dispatch in your code base
 - Use `virtual` **only once** when first defined in the base class
 - (although in older code bases you may see it repeated on functions in subclasses)
 - All derived classes of a base class should use `override` to get the compiler to check that a function overrides a virtual function from a base class
- Use `virtual` for destructors of a base class – Guarantees all derived classes will use dynamic dispatch to ensure use of appropriate destructors

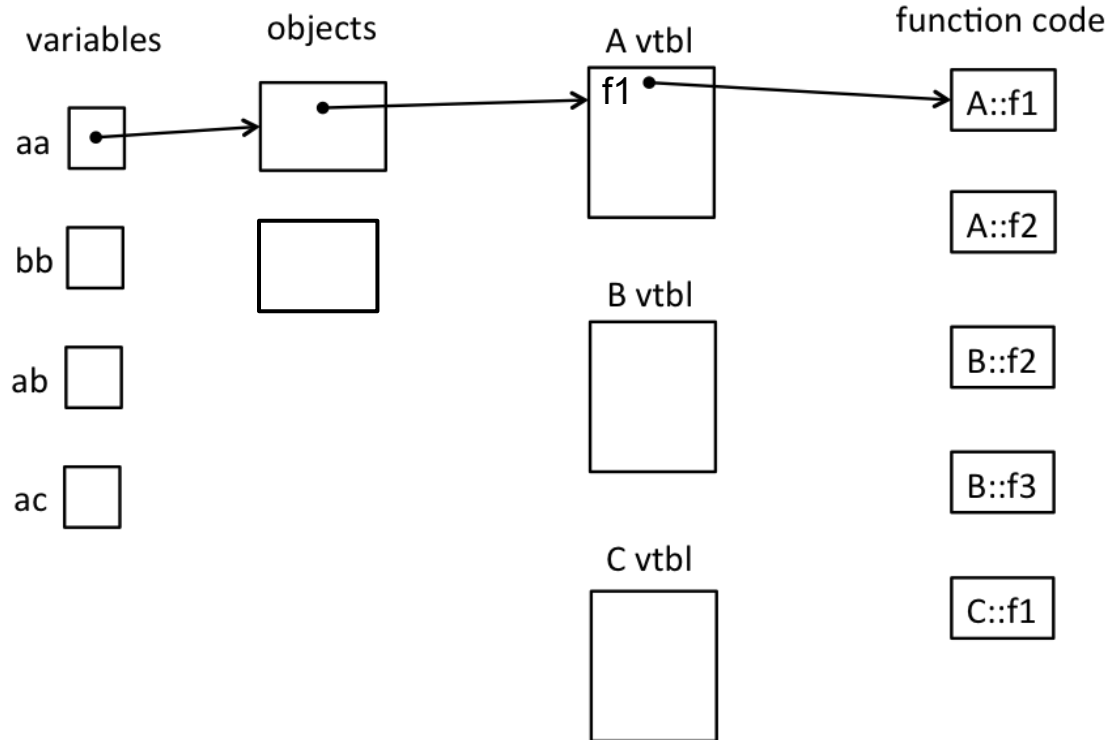
Dispatch Decision Tree

```
DeclaredT* ptr = new ActualT();  
ptr->Fcn(); // which version is called?
```



Exercise 4

Exercise 4 (Drawing vtable diagram)



Exercise 4 Solution (pointers)

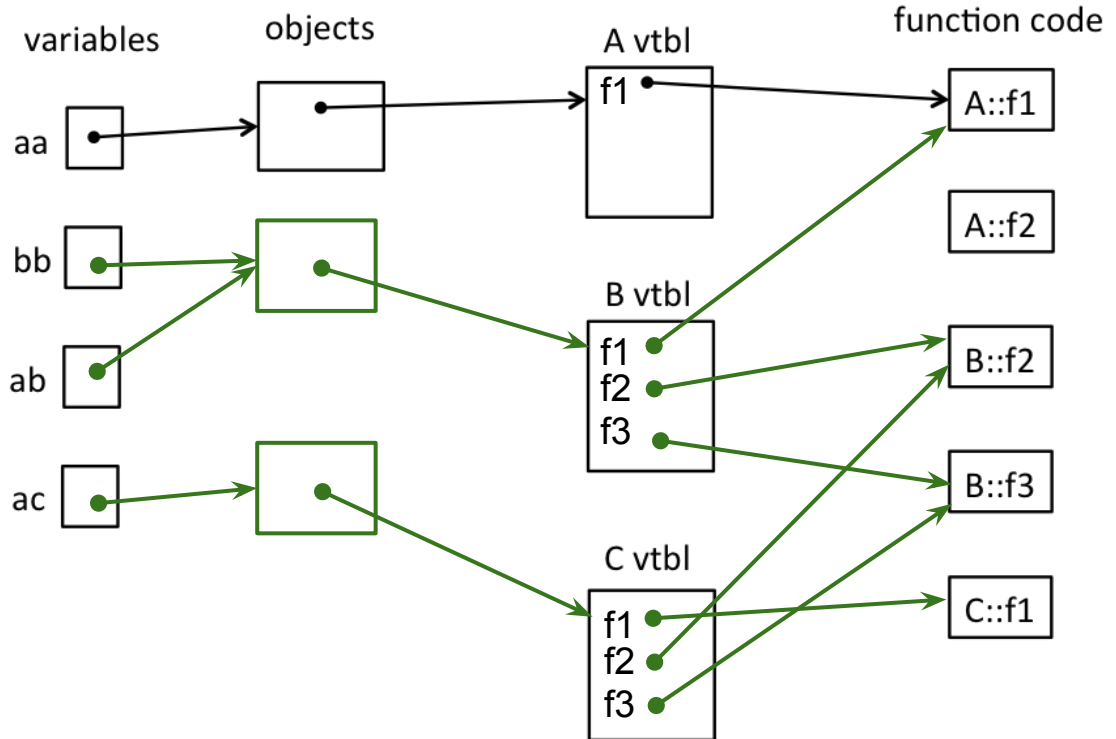
```
#include <iostream>
using namespace std;
```

```
class A {
public:
    virtual void f1() { f2(); cout << "A::f1" << endl; }
    void f2() { cout << "A::f2" << endl; }
};
```

```
class B: public A {
public:
    virtual void f3() { f1(); cout << "B::f3" << endl; }
    virtual void f2() { cout << "B::f2" << endl; }
};
```

```
class C: public B {
public:
    void f1() { f2(); cout << "C::f1" << endl; }
};
```

```
int main() {
    A* aa = new A();
    B* bb = new B();
    A* ab = bb;
    A* ac = new C();
}
```



Exercise 4 Solution (output)

```

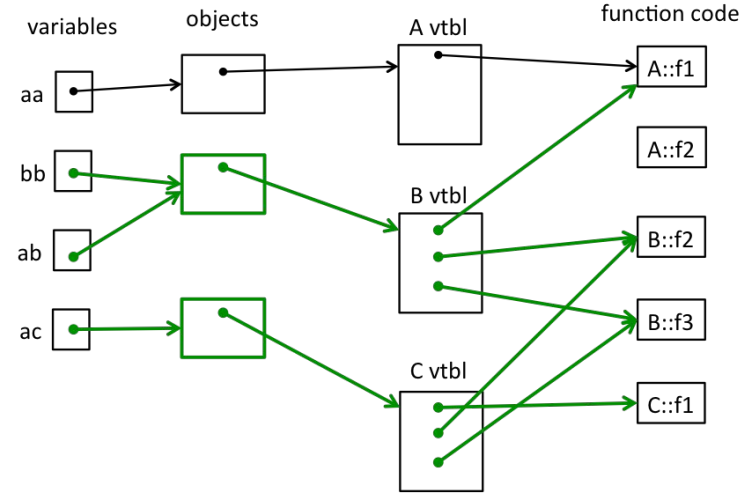
#include <iostream>
using namespace std;

class A {
public:
    virtual void f1() { f2(); cout << "A::f1" << endl; }
    void f2() { cout << "A::f2" << endl; }
};

class B: public A {
public:
    virtual void f3() { f1(); cout << "B::f3" << endl; }
    virtual void f2() { cout << "B::f2" << endl; }
};

class C: public B {
public:
    void f1() { f2(); cout << "C::f1" << endl; }
};

```



```
A* aa = new A();
```

```
aa->f1();
```

A	B	C	D
B::f2	A::f2	A::f2	B::f2
A::f1	C::f1	A::f1	C::f1

Exercise 4 Solution (output)

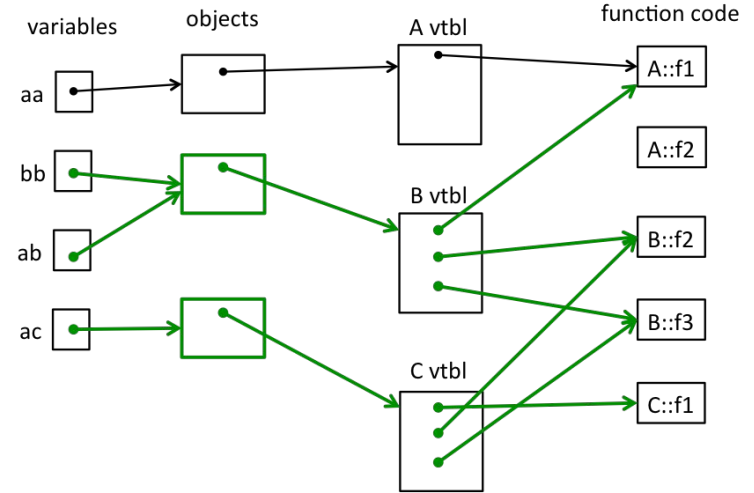
```

#include <iostream>
using namespace std;

class A {
public:
    virtual void f1() { f2(); cout << "A::f1" << endl; }
    void f2() { cout << "A::f2" << endl; }
};

class B: public A {
public:
    virtual void f3() { f1(); cout << "B::f3" << endl; }
    virtual void f2() { cout << "B::f2" << endl; }
};

class C: public B {
public:
    void f1() { f2(); cout << "C::f1" << endl; }
};
    
```



```
B* bb = new B();
```

```
bb->f1();
```

A	B	C	D
B::f2	A::f2	A::f2	B::f2
A::f1	C::f1	A::f1	C::f1

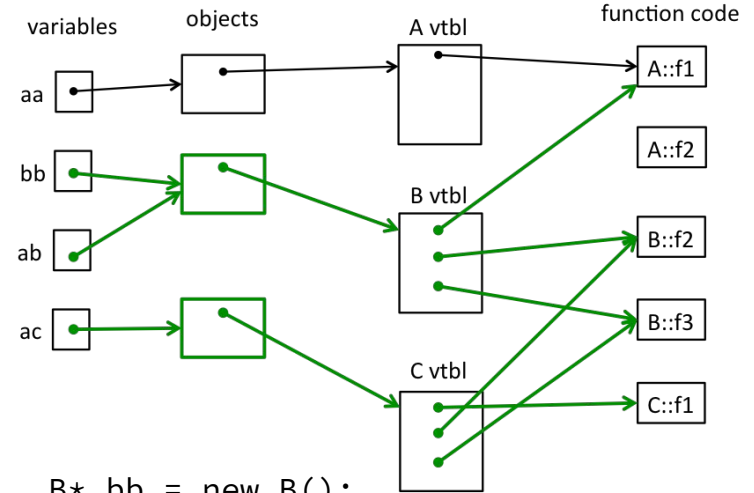
Exercise 4 Solution (output)

```
#include <iostream>
using namespace std;

class A {
public:
    virtual void f1() { f2(); cout << "A::f1" << endl; }
    void f2() { cout << "A::f2" << endl; }
};

class B: public A {
public:
    virtual void f3() { f1(); cout << "B::f3" << endl; }
    virtual void f2() { cout << "B::f2" << endl; }
};

class C: public B {
public:
    void f1() { f2(); cout << "C::f1" << endl; }
};
```

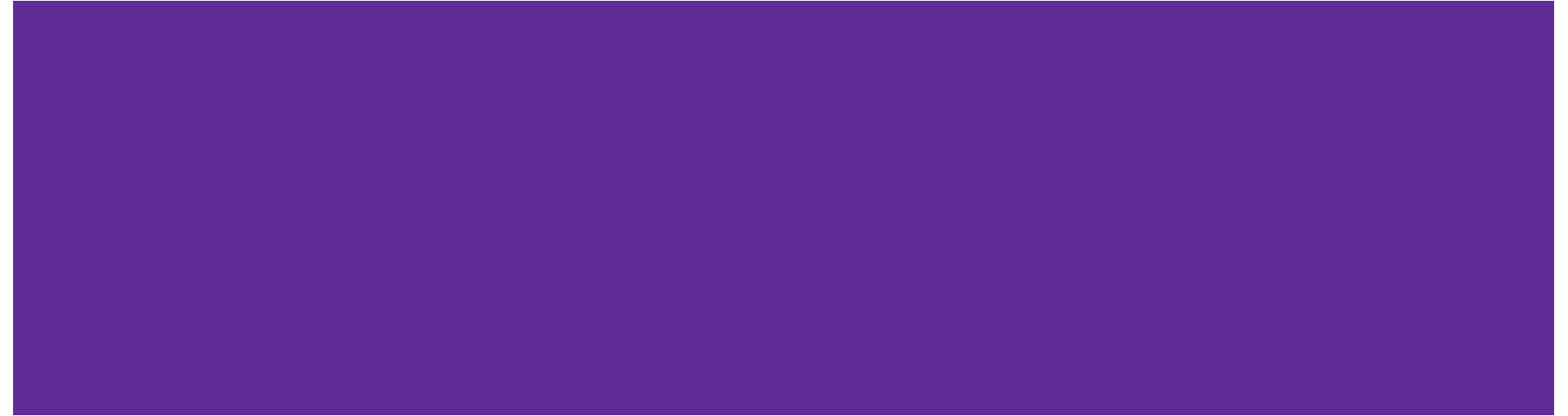


```
B* bb = new B();
A* ab = bb;

bb->f2();
cout << "----" << endl;
ab->f2();
```

A	B	C	D
B::f2	A::f2	B::f2	A::f2
----	----	----	----
B::f2	B::f2	A::f2	A::f2

Exercise 4 Extension



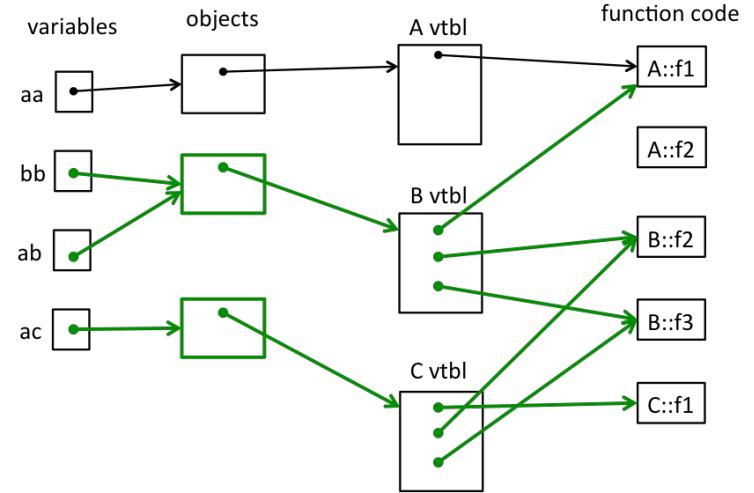
Exercise 4 Solution (output)

```
#include <iostream>
using namespace std;

class A {
public:
    virtual void f1() { f2(); cout << "A::f1" << endl; }
    void f2() { cout << "A::f2" << endl; }
};

class B: public A {
public:
    virtual void f3() { f1(); cout << "B::f3" << endl; }
    virtual void f2() { cout << "B::f2" << endl; }
};

class C: public B {
public:
    void f1() { f2(); cout << "C::f1" << endl; }
};
```



```
B* bb = new B();
```

```
bb->f3();
```

A	B	C	D
B::f2	A::f2	A::f2	B::f2
A::f1	A::f1	C::f1	C::f1
B::f3	B::f3	B::f3	B::f3

Exercise 4 Solution (output)

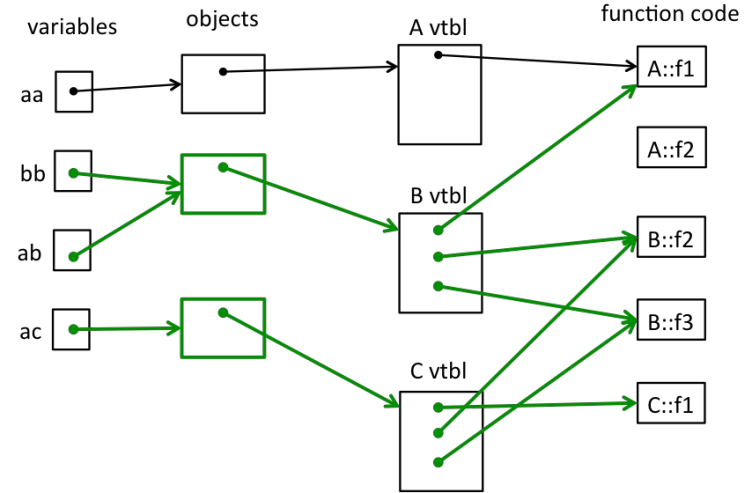
```

#include <iostream>
using namespace std;

class A {
public:
    virtual void f1() { f2(); cout << "A::f1" << endl; }
    void f2() { cout << "A::f2" << endl; }
};

class B: public A {
public:
    virtual void f3() { f1(); cout << "B::f3" << endl; }
    virtual void f2() { cout << "B::f2" << endl; }
};

class C: public B {
public:
    void f1() { f2(); cout << "C::f1" << endl; }
};
    
```



```

A* ac = new C();

ac->f1();
    
```

A	B	C	D
B::f2	A::f2	A::f2	B::f2
A::f1	C::f1	A::f1	C::f1