

STACK (main)

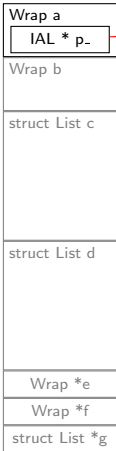
Wrap a
Wrap b
struct List c
struct List d
Wrap *e
Wrap *f
struct List *g

HEAP STORAGE

Next line:
Wrap a;

STACK (main)

HEAP STORAGE



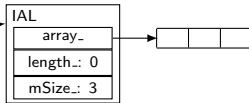
Next line:

```
Wrap b(new IntArrayList);
```

STACK (main)

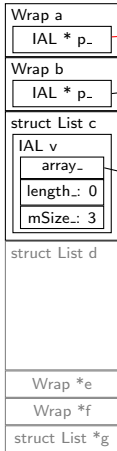


HEAP STORAGE

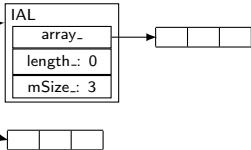


Next line:
struct List c { };

STACK (main)



HEAP STORAGE

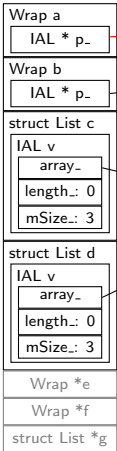


Next line:

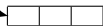
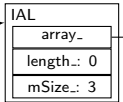
```
struct List d { *b.p() };
```

STACK (main)

HEAP STORAGE

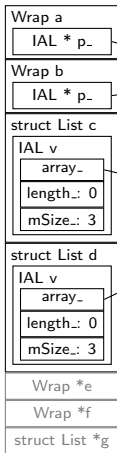


→ nullptr

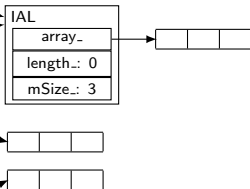


Next line:
a = b;

STACK (main)

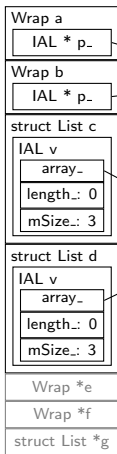


HEAP STORAGE

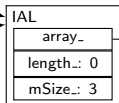


Next line:
c = d;

STACK (main)

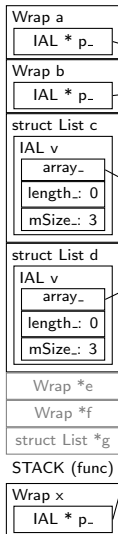


HEAP STORAGE

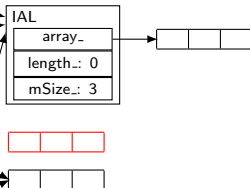


Next line:
func(a);

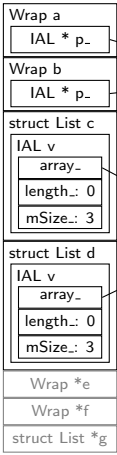
STACK (main)



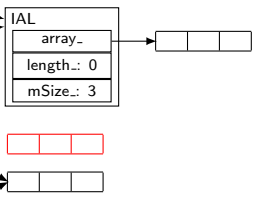
HEAP STORAGE



STACK (main)

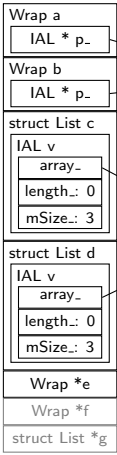


HEAP STORAGE

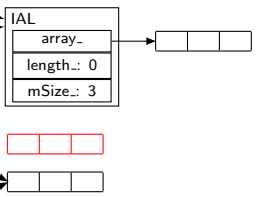


Next line:
Wrap *e;

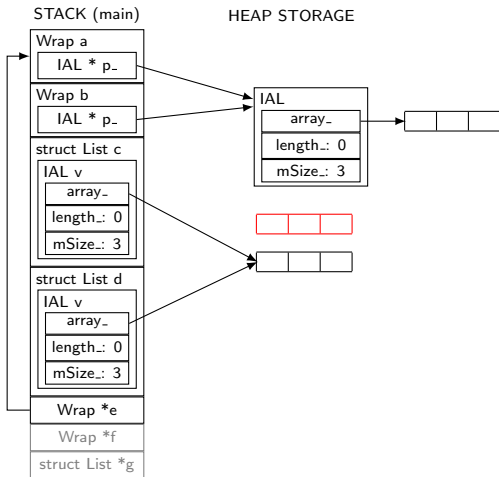
STACK (main)



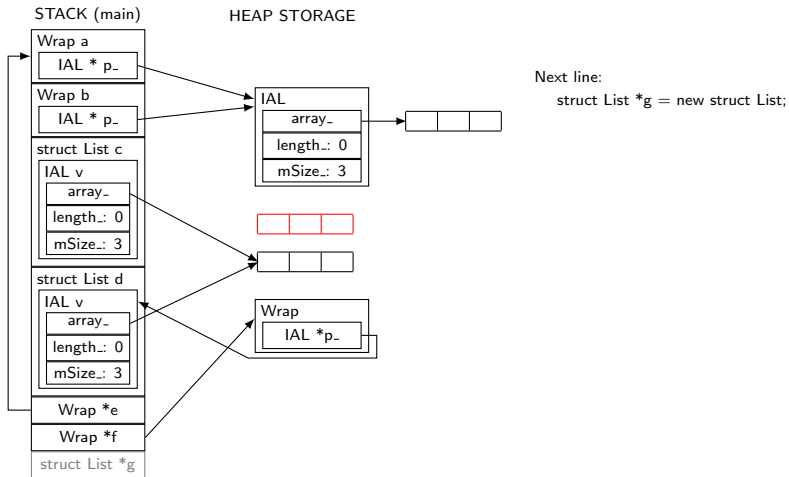
HEAP STORAGE

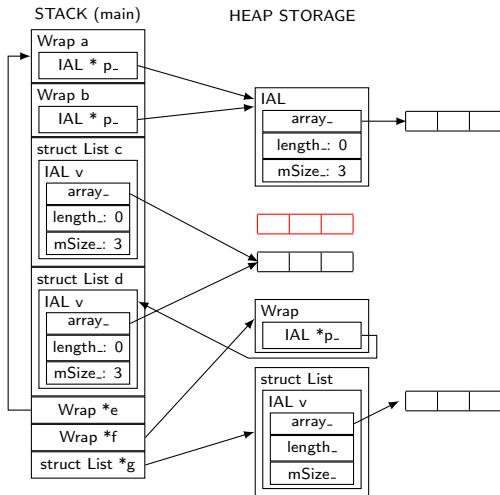


Next line:
e = &a;



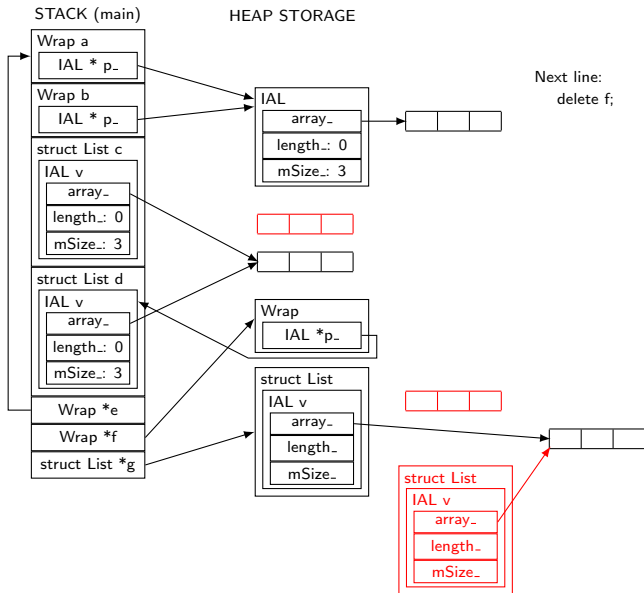
Next line:
 Wrap *f = new Wrap(&d.v);

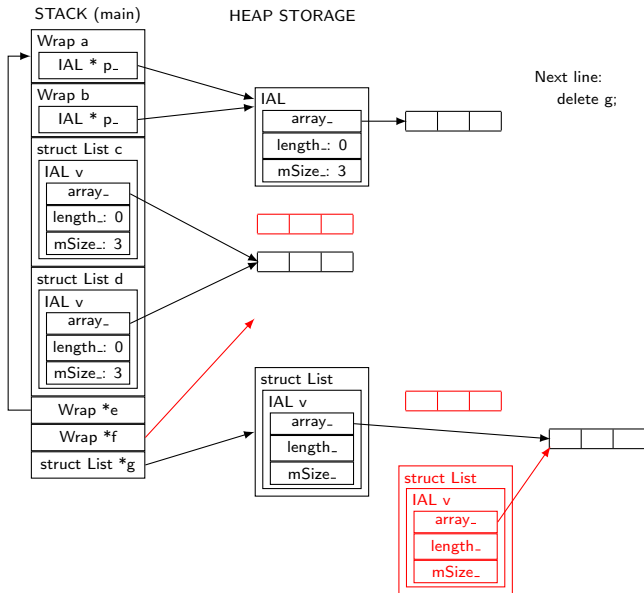


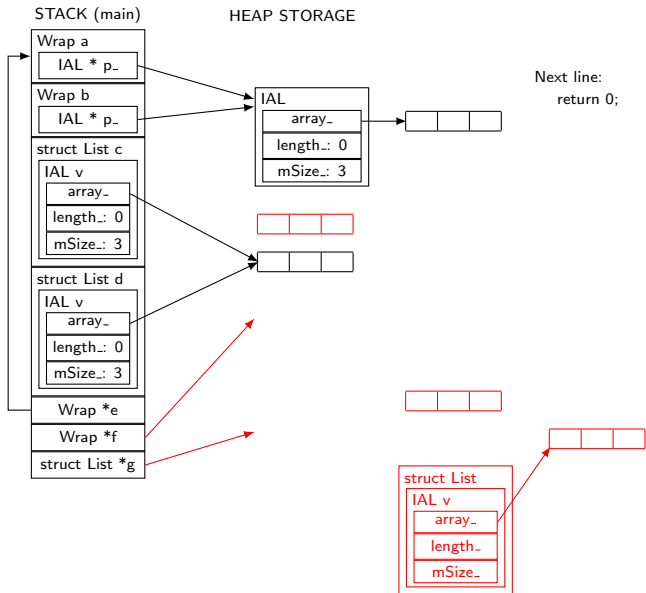


Next line:

```
g->v = *(new IntArrayList);
```

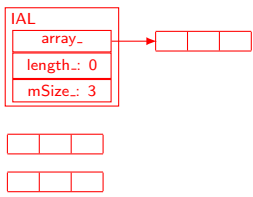






STACK (main)

HEAP STORAGE



Next line:

