

# Data Structures and Modules

## CSE 333 Winter 2019

**Instructor:** Hal Perkins

**Teaching Assistants:**

Alexey Beall

Renshu Gu

Harshita Neti

David Porter

Forrest Timour

Soumya Vasisht

Yifan Xu

Sujie Zhou

# Administrivia

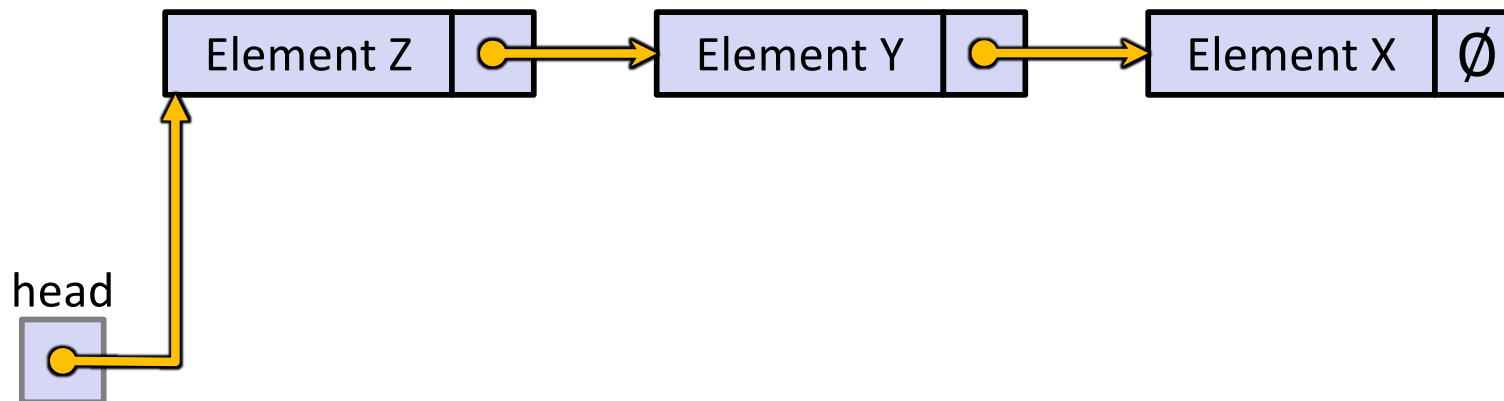
- ❖ Exercise 3 was due this morning
- ❖ Exercise 4 out today, due Friday morning
- ❖ Exercise 5 will be based on tomorrow's sections
  - Due ~~Monday~~ Wednesday (UW closed Monday, MLK holiday)
- ❖ Exercise 6 – simple file I/O – out Friday, due Wednesday
- ❖ And, alas, hw1 is due next Thursday night

# Lecture Outline

- ❖ **Implementing Data Structures in C**
- ❖ Multi-file C Programs
  - C Preprocessor Intro

# Simple Linked List in C

- ❖ Each node in a linear, singly-linked list contains:
  - Some element as its payload
  - A pointer to the next node in the linked list
    - This pointer is NULL (or some other indicator) in the last node in the list



# Linked List Node

- ❖ Let's represent a linked list node with a struct
  - For now, assume each element is an `int`

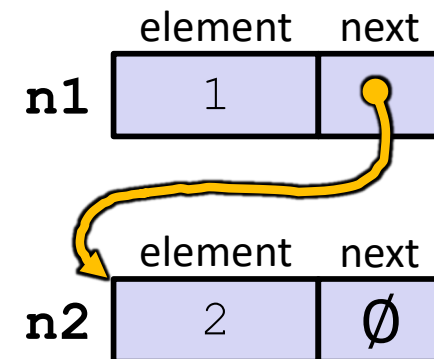
```
#include <stdio.h>

typedef struct node_st {
    int element;
    struct node_st* next;
} Node;

int main(int argc, char** argv) {
    Node n1, n2;

    n1.element = 1;
    n1.next = &n2;
    n2.element = 2;
    n2.next = NULL;
    return 0;
}
```

manual\_list.c



# Push Onto List

Arrow points to  
*next* instruction.

```
typedef struct node_st {
    int element;
    struct node_st* next;
} Node;

Node* Push(Node* head, int e) {
    Node* n = (Node*) malloc(sizeof(Node));
    assert(n != NULL); // crashes if false
    n->element = e;
    n->next = head;
    return n;
}

int main(int argc, char** argv) {
    Node* list = NULL;
    list = Push(list, 1);
    list = Push(list, 2);
    return 0;
}
```

(main) list



push\_list.c


# Push Onto List


Arrow points to  
*next* instruction.

```
typedef struct node_st {
    int element;
    struct node_st* next;
} Node;

Node* Push(Node* head, int e) {
    Node* n = (Node*) malloc(sizeof(Node));
    assert(n != NULL); // crashes if false
    n->element = e;
    n->next = head;
    return n;
}

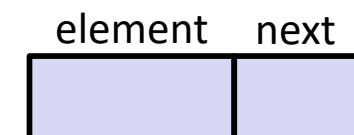
int main(int argc, char** argv) {
    Node* list = NULL;
    list = Push(list, 1);
    list = Push(list, 2);
    return 0;
}
```

(main) list 

(Push) head 

(Push) e 

(Push) n 



push\_list.c

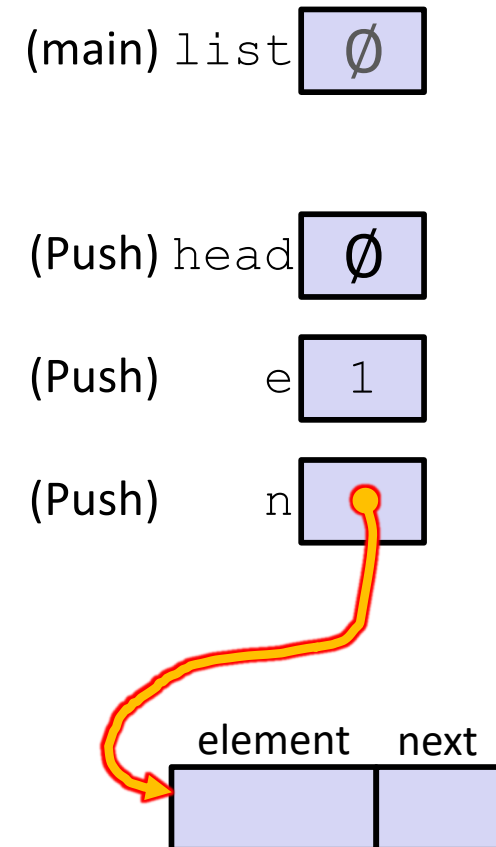
# Push Onto List

Arrow points to  
*next* instruction.

```
typedef struct node_st {
    int element;
    struct node_st* next;
} Node;

Node* Push(Node* head, int e) {
    Node* n = (Node*) malloc(sizeof(Node));
    assert(n != NULL); // crashes if false
    n->element = e;
    n->next = head;
    return n;
}

int main(int argc, char** argv) {
    Node* list = NULL;
    list = Push(list, 1);
    list = Push(list, 2);
    return 0;
}
```



push\_list.c



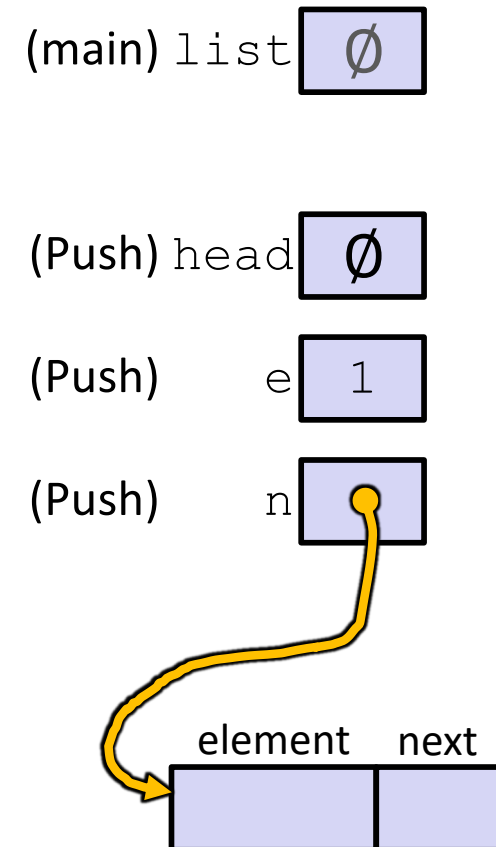
# Push Onto List

Arrow points to  
*next* instruction.

```
typedef struct node_st {
    int element;
    struct node_st* next;
} Node;

Node* Push(Node* head, int e) {
    Node* n = (Node*) malloc(sizeof(Node));
    assert(n != NULL); // crashes if false
    n->element = e;
    n->next = head;
    return n;
}

int main(int argc, char** argv) {
    Node* list = NULL;
    list = Push(list, 1);
    list = Push(list, 2);
    return 0;
}
```



push\_list.c

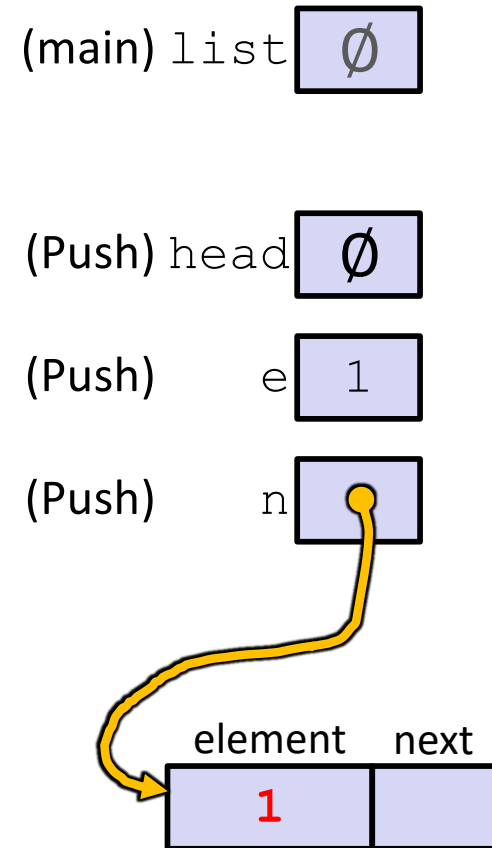
# Push Onto List

Arrow points to  
*next* instruction.

```
typedef struct node_st {
    int element;
    struct node_st* next;
} Node;

Node* Push(Node* head, int e) {
    Node* n = (Node*) malloc(sizeof(Node));
    assert(n != NULL); // crashes if false
    n->element = e;
    n->next = head;
    return n;
}

int main(int argc, char** argv) {
    Node* list = NULL;
    list = Push(list, 1);
    list = Push(list, 2);
    return 0;
}
```



push\_list.c

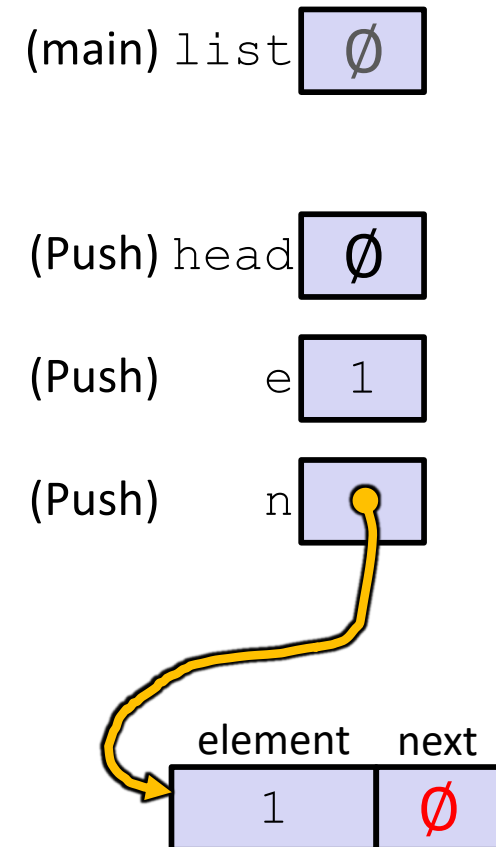
# Push Onto List

Arrow points to  
*next* instruction.

```
typedef struct node_st {
    int element;
    struct node_st* next;
} Node;

Node* Push(Node* head, int e) {
    Node* n = (Node*) malloc(sizeof(Node));
    assert(n != NULL); // crashes if false
    n->element = e;
    n->next = head;
    return n;
}

int main(int argc, char** argv) {
    Node* list = NULL;
    list = Push(list, 1);
    list = Push(list, 2);
    return 0;
}
```



push\_list.c

# Push Onto List

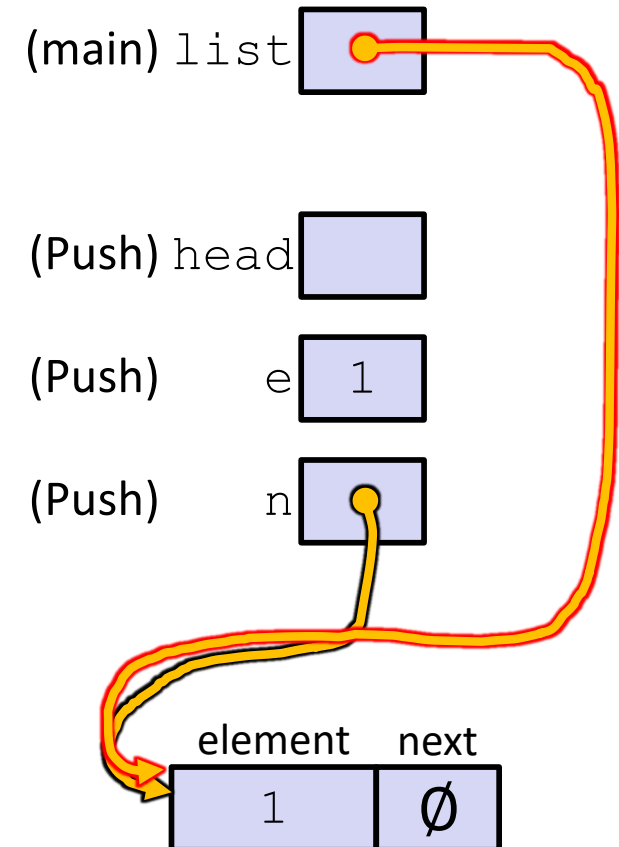
```
typedef struct node_st {
    int element;
    struct node_st* next;
} Node;

Node* Push(Node* head, int e) {
    Node* n = (Node*) malloc(sizeof(Node));
    assert(n != NULL); // crashes if false
    n->element = e;
    n->next = head;
    return n;
}

int main(int argc, char** argv) {
    Node* list = NULL;
    list = Push(list, 1);
    list = Push(list, 2);
    return 0;
}
```

push\_list.c

Arrow points to  
next instruction.



# Push Onto List

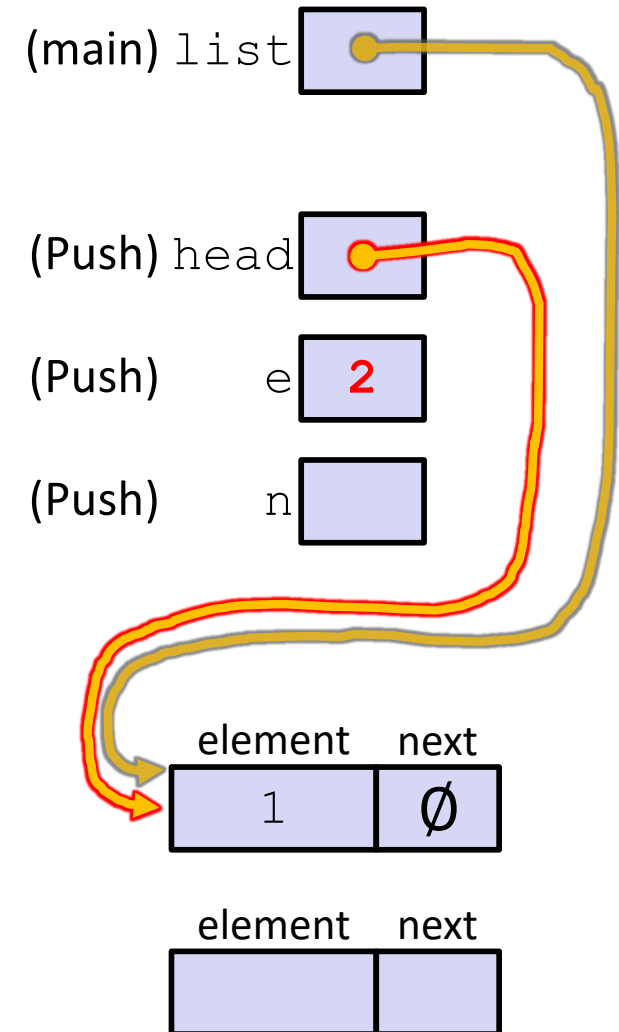
```
typedef struct node_st {
    int element;
    struct node_st* next;
} Node;

Node* Push(Node* head, int e) {
    Node* n = (Node*) malloc(sizeof(Node));
    assert(n != NULL); // crashes if false
    n->element = e;
    n->next = head;
    return n;
}

int main(int argc, char** argv) {
    Node* list = NULL;
    list = Push(list, 1);
    list = Push(list, 2);
    return 0;
}
```

push\_list.c

Arrow points to  
next instruction.



# Push Onto List

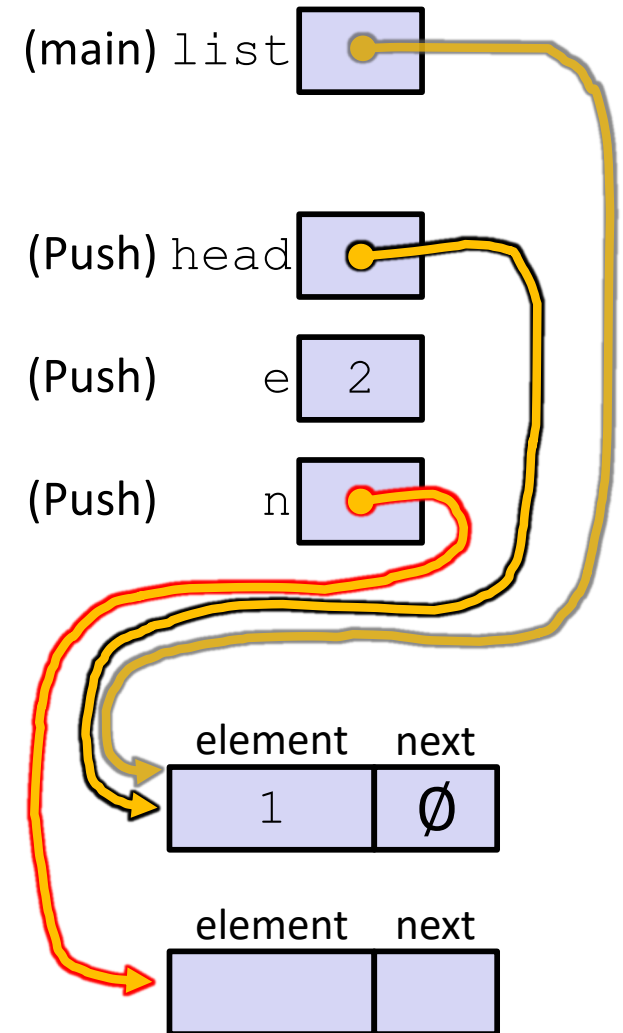
Arrow points to *next* instruction.

```

typedef struct node_st {
    int element;
    struct node_st* next;
} Node;

Node* Push(Node* head, int e) {
    Node* n = (Node*) malloc(sizeof(Node));
    assert(n != NULL); // crashes if false
    n->element = e;
    n->next = head;
    return n;
}

int main(int argc, char** argv) {
    Node* list = NULL;
    list = Push(list, 1);
    list = Push(list, 2);
    return 0;
}
    
```



push\_list.c

# Push Onto List

```

typedef struct node_st {
    int element;
    struct node_st* next;
} Node;

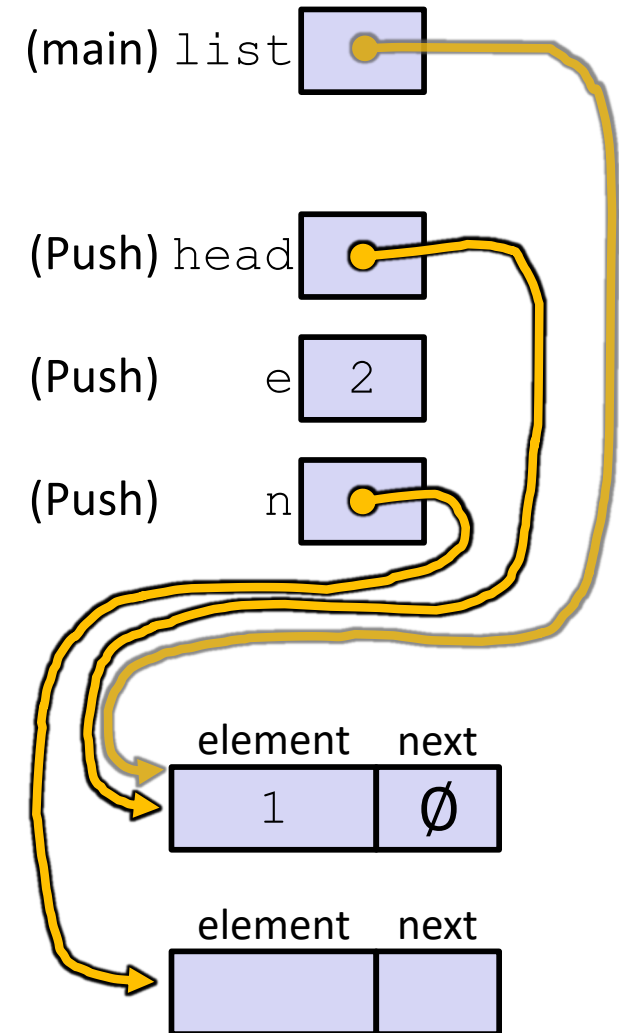
Node* Push(Node* head, int e) {
    Node* n = (Node*) malloc(sizeof(Node));
    assert(n != NULL); // crashes if false
    n->element = e;
    n->next = head;
    return n;
}

int main(int argc, char** argv) {
    Node* list = NULL;
    list = Push(list, 1);
    list = Push(list, 2);
    return 0;
}

```

push\_list.c

Arrow points to  
next instruction.



# Push Onto List

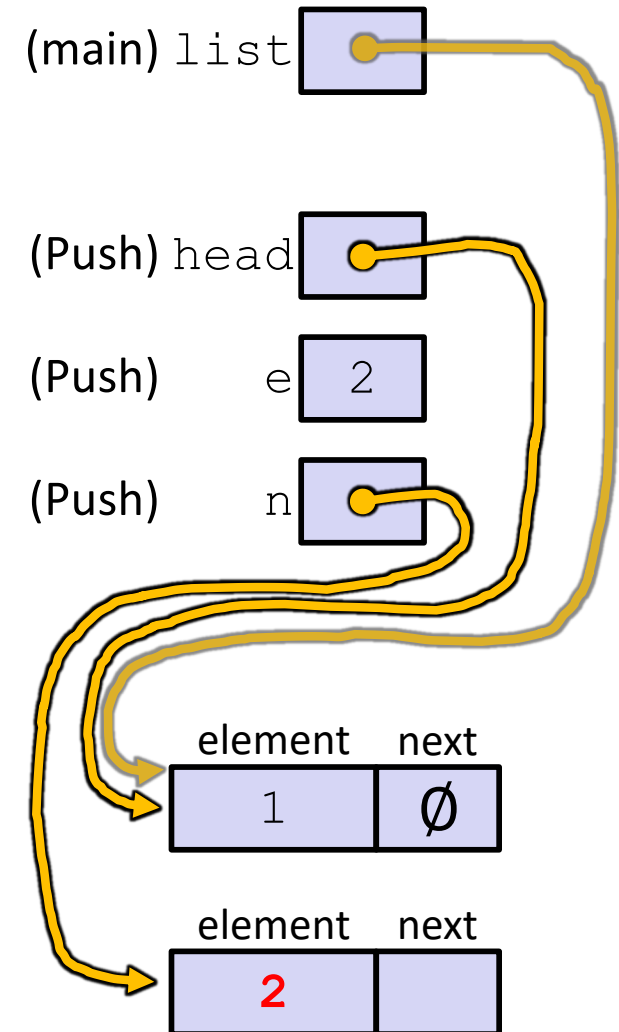
```
typedef struct node_st {
    int element;
    struct node_st* next;
} Node;

Node* Push(Node* head, int e) {
    Node* n = (Node*) malloc(sizeof(Node));
    assert(n != NULL); // crashes if false
    n->element = e;
    n->next = head;
    return n;
}

int main(int argc, char** argv) {
    Node* list = NULL;
    list = Push(list, 1);
    list = Push(list, 2);
    return 0;
}
```

push\_list.c

Arrow points to  
next instruction.





# Push Onto List

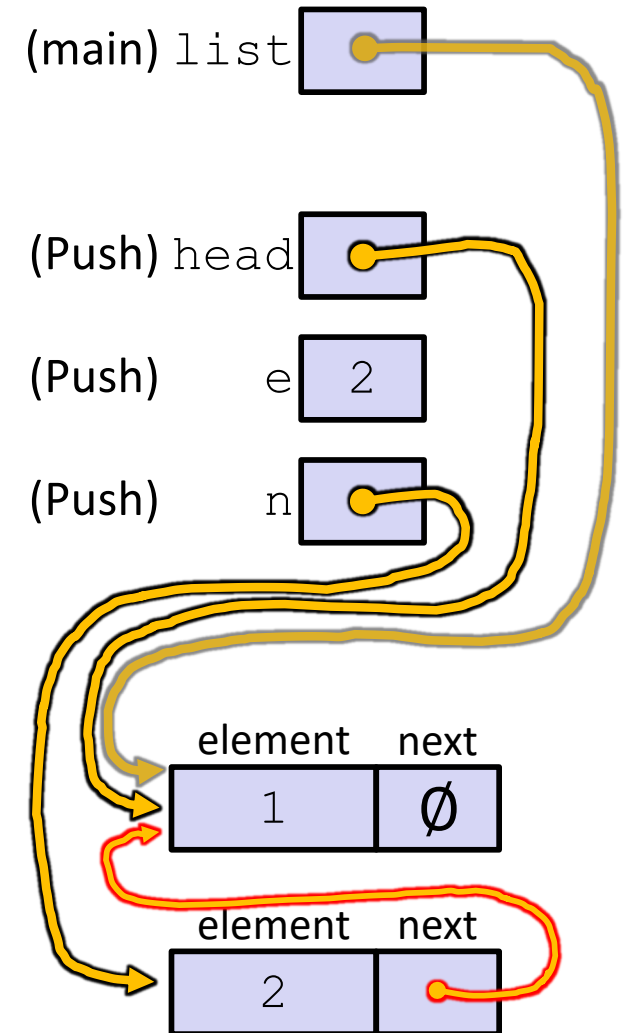
```
typedef struct node_st {
    int element;
    struct node_st* next;
} Node;

Node* Push(Node* head, int e) {
    Node* n = (Node*) malloc(sizeof(Node));
    assert(n != NULL); // crashes if false
    n->element = e;
    n->next = head;
    return n;
}

int main(int argc, char** argv) {
    Node* list = NULL;
    list = Push(list, 1);
    list = Push(list, 2);
    return 0;
}
```

push\_list.c

Arrow points to  
next instruction.



# Push Onto List

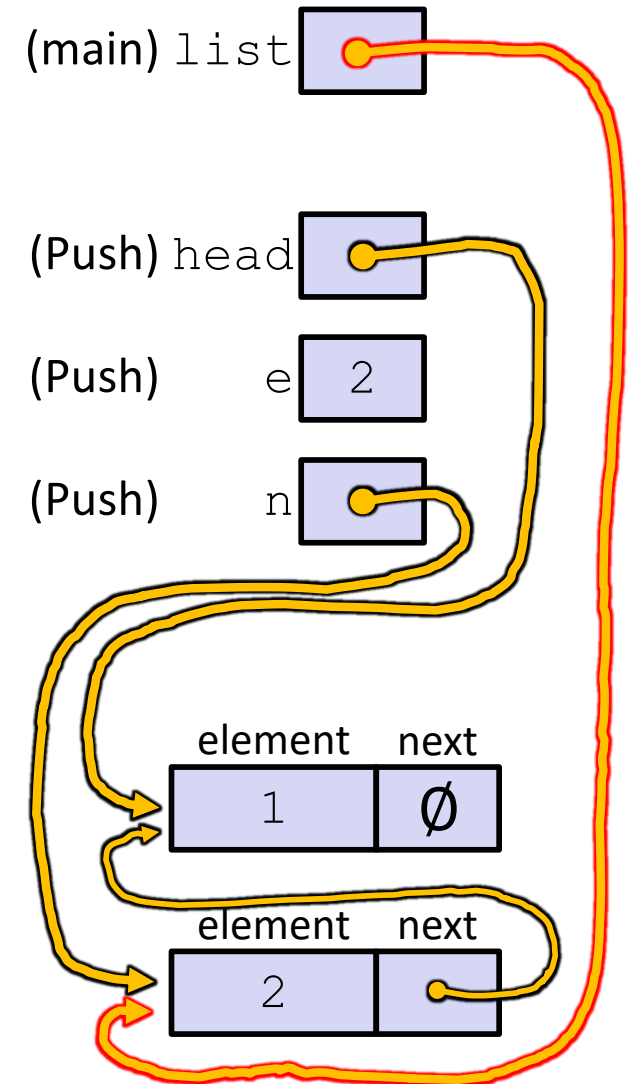
```
typedef struct node_st {
    int element;
    struct node_st* next;
} Node;

Node* Push(Node* head, int e) {
    Node* n = (Node*) malloc(sizeof(Node));
    assert(n != NULL); // crashes if false
    n->element = e;
    n->next = head;
    return n;
}

int main(int argc, char** argv) {
    Node* list = NULL;
    list = Push(list, 1);
    list = Push(list, 2);
    return 0;
}
```

push\_list.c

Arrow points to  
next instruction.



# Push Onto List

Arrow points to  
*next* instruction.

```
typedef struct node_st {
    int element;
    struct node_st* next;
} Node;

Node* Push(Node* head, int e) {
    Node* n = (Node*) malloc(sizeof(Node));
    assert(n != NULL); // crashes if false
    n->element = e;
    n->next = head;
    return n;
}

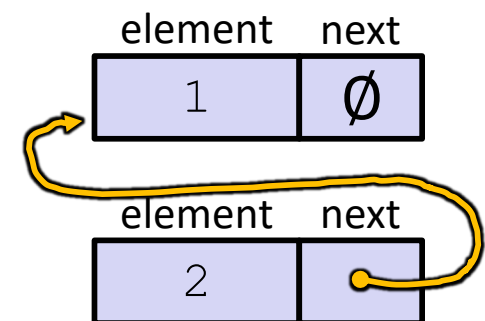
int main(int argc, char** argv) {
    Node* list = NULL;
    list = Push(list, 1);
    list = Push(list, 2);
    return 0;
}
```

push\_list.c

A (benign) memory leak!  
Try running with Valgrind:

```
bash$ gcc -Wall -g -o
push_list push_list.c
```

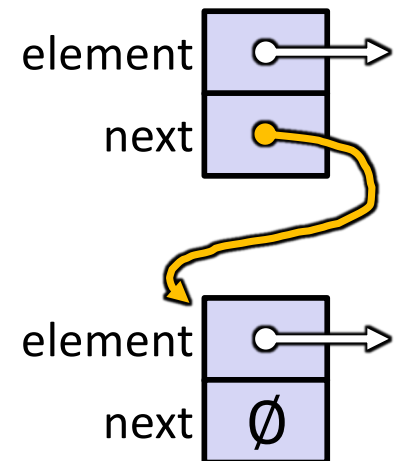
```
bash$ valgrind --leak-
check=full ./push_list
```



# A Generic Linked List

- ❖ Let's generalize the linked list element type
  - Let customer decide type (instead of always `int`)
  - Idea: let them use a generic pointer (*i.e.* a `void*`)

```
typedef struct node_st {  
    void* element;  
    struct node_st* next;  
} Node;  
  
Node* Push(Node* head, void* e) {  
    Node* n = (Node*) malloc(sizeof(Node));  
    assert(n != NULL); // crashes if false  
    n->element = e;  
    n->next = head;  
    return n;  
}
```



# Using a Generic Linked List

- ❖ Type casting needed to deal with `void*` (raw address)
  - Before pushing, need to convert to `void*`
  - Convert back to data type when accessing

```
typedef struct node_st {
    void* element;
    struct node_st* next;
} Node;

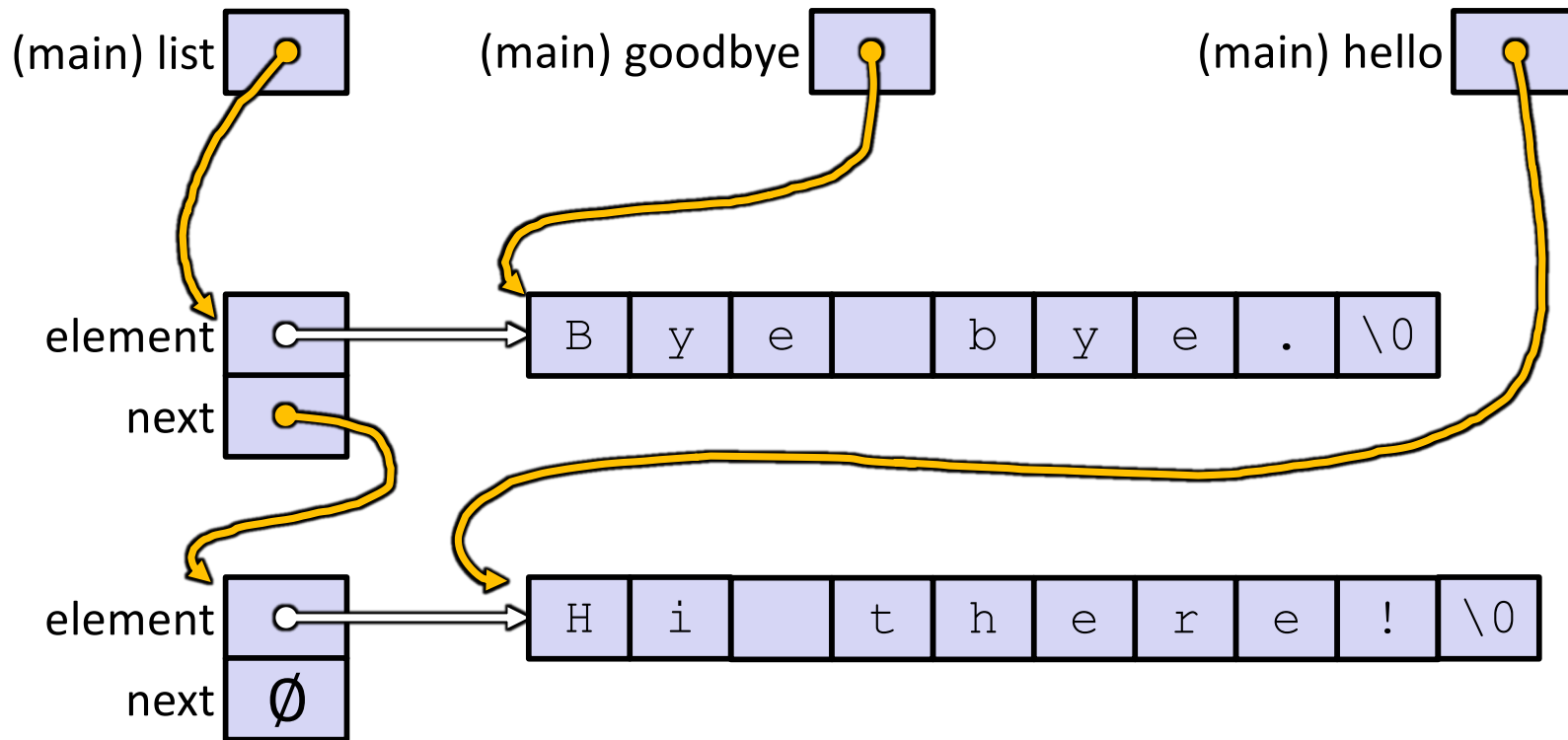
Node* Push(Node* head, void* e);    // assume last slide's code

int main(int argc, char** argv) {
    char* hello = "Hi there!";
    char* goodbye = "Bye bye.";
    Node* list = NULL;

    list = Push(list, (void*) hello);
    list = Push(list, (void*) goodbye);
    printf("payload: '%s'\n", (char*) ((list->next)->element) );
    return 0;
}
```

manual\_list\_void.c

# Resulting Memory Diagram



# Lecture Outline

- ❖ Implementing Data Structures in C
- ❖ **Multi-file C Programs**
  - **C Preprocessor Intro**

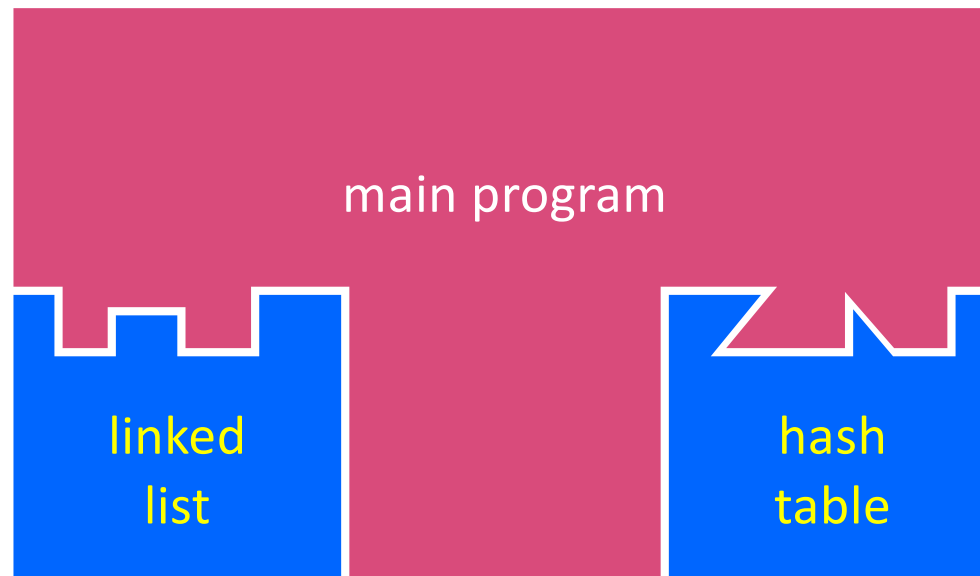
# Multi-File C Programs

- ❖ Let's create a linked list *module*
  - A module is a self-contained piece of an overall program
    - Has externally visible functions that customers can invoke
    - Has externally visible `typedefs`, and perhaps global variables, that customers can use
    - May have internal functions, `typedefs`, or global variables that customers should *not* look at
  - The module's *interface* is its set of public functions, `typedefs`, and global variables



# Modularity

- ❖ The degree to which components of a system can be separated and recombined
  - “Loose coupling” and “separation of concerns”
  - Modules can be developed independently
  - Modules can be re-used in different projects



# C Header Files

- ❖ **Header:** a C file whose only purpose is to be `#include'd`
  - Generally has a filename `.h` extension
  - Holds the variables, types, and function prototype declarations that make up the interface to a module
- ❖ **Main Idea:**
  - Every `name.c` is intended to be a module that has a `name.h`
  - `name.h` declares the interface to that module
  - Other modules can use `name` by `#include-ing` `name.h`
    - They should assume as little as possible about the implementation in `name.c`

# C Module Conventions

- ❖ Most C projects adhere to the following rules:
  - `.h` files only contain *declarations*, never *definitions*
  - `.c` files never contain prototype declarations for functions that are intended to be exported through the module interface
    - Those function prototype declarations belong in the `.h` file
  - **NEVER** `#include` a `.c` file – only `#include .h` files
  - `#include` all of headers you reference, even if another header (accidentally or not) includes some of them
  - Any `.c` file with an associated `.h` file should be able to be compiled into a `.o` file
    - The `.c` file should `#include` the `.h` file; the compiler will check definitions and declarations for consistency

# #include and the C Preprocessor

- ❖ The C preprocessor (`cpp`) transforms your source code before the compiler runs
  - Input is a C file (text) and output is still a C file (text)
  - Processes the directives it finds in your code (*#directive*)
    - e.g. `#include "ll.h"` is replaced by the post-processed content of `ll.h`
    - e.g. `#define PI 3.1415` defines a symbol (a string!) and replaces later occurrences
    - Several others that we'll see soon...
  - Run on your behalf by `gcc` during compilation
  - Note: `#include <foo.h>` looks in system (library) directories; `#include "foo.h"` looks first in current directory

# C Preprocessor Example

- ❖ What do you think the preprocessor output will be?

```
#define BAR 2 + FOO
```

```
typedef long long int verylong;
```

cpp\_example.h

```
#define FOO 1
```

```
#include "cpp_example.h"
```

```
int main(int argc, char** argv) {
```

```
    int x = FOO;    // a comment
```

```
    int y = BAR;
```

```
    verylong z = FOO + BAR;
```

```
    return 0;
```

```
}
```

cpp\_example.c

# C Preprocessor Example

- ❖ We can manually run the preprocessor:
  - `cpp` is the preprocessor (can also use `gcc -E`)
  - “`-P`” option suppresses some extra debugging annotations

```
#define BAR 2 + FOO
```

```
typedef long long int verylong;
```

`cpp_example.h`

```
#define FOO 1
```

```
#include "cpp_example.h"
```

```
int main(int argc, char** argv) {  
    int x = FOO;    // a comment  
    int y = BAR;  
    verylong z = FOO + BAR;  
    return 0;  
}
```

`cpp_example.c`

```
bash$ cpp -P cpp_example.c out.c  
bash$ cat out.c
```

```
typedef long long int verylong;  
int main(int argc, char **argv) {  
    int x = 1;  
    int y = 2 + 1;  
    verylong z = 1 + 2 + 1;  
    return 0;  
}
```

# Program Using a Linked List

```
#include <stdlib.h>
#include <assert.h>
#include "ll.h"

Node* Push(Node* head,
           void* element) {
    ... // implementation here
}
```

ll.c

```
typedef struct node_st {
    void* element;
    struct node_st* next;
} Node;

Node* Push(Node* head,
           void* element);
```

ll.h

```
#include "ll.h"

int main(int argc, char** argv) {
    Node* list = NULL;
    char* hi = "hello";
    char* bye = "goodbye";

    list = Push(list, (void*)hi);
    list = Push(list, (void*)bye);

    ...

    return 0;
}
```

example\_ll\_customer.c

# Compiling the Program

## ❖ Four parts:

- 1/2) Compile `example_ll_customer.c` into an object file
- 2/1) Compile `ll.c` into an object file
- 3) Link both object files into an executable
- 4) Test, Debug, Rinse, Repeat

```
bash$ gcc -Wall -g -c -o example_ll_customer.o example_ll_customer.c
bash$ gcc -Wall -g -c -o ll.o ll.c
bash$ gcc -g -o example_ll_customer ll.o example_ll_customer.o
bash$ ./example_ll_customer
Payload: 'yo!'
Payload: 'goodbye'
Payload: 'hello'
bash$ valgrind -leak-check=full ./example_ll_customer
... etc ...
```



# Where Do the Comments Go?

- ❖ If a function is declared in a header file (.h) and defined in a C file (.c):
  - *The header needs full documentation because it is the public specification*
  - No need to copy/paste the comment into the C file
    - Don't want two copies that can get out of sync
    - Recommended to leave "specified in <filename>.h" comment in C file code to help the reader

# Where Do the Comments Go?

- ❖ If a function has a prototype and implementation in same C file:
  - One school of thought: Full comment on the prototype at the top of the file, no comment (or “declared above”) on code
    - 333 project code is like this
  - Another school: Prototype is for the compiler and doesn't need comment; put the comments with the code to keep them together
    - Not used in 333

# Extra Exercise #1

- ❖ Extend the linked list program we covered in class:
  - Add a function that returns the number of elements in a list
  - Implement a program that builds a list of lists
    - *i.e.* it builds a linked list where each element is a (different) linked list
  - Bonus: design and implement a “Pop” function
    - Removes an element from the head of the list
    - Make sure your linked list code, and customers’ code that uses it, contains no memory leaks

# Extra Exercise #2

- ❖ Implement and test a binary search tree
  - [https://en.wikipedia.org/wiki/Binary\\_search\\_tree](https://en.wikipedia.org/wiki/Binary_search_tree)
    - Don't worry about making it balanced
  - Implement key insert() and lookup() functions
    - Bonus: implement a key delete() function
  - Implement it as a C module
    - `bst.c`, `bst.h`
  - Implement `test_bst.c`
    - Contains `main()` and tests out your BST

# Extra Exercise #3

- ❖ Implement a Complex number module
  - `complex.c, complex.h`
  - Includes a typedef to define a complex number
    - $a + bi$ , where `a` and `b` are `doubles`
  - Includes functions to:
    - add, subtract, multiply, and divide complex numbers
  - Implement a test driver in `test_complex.c`
    - Contains `main()`