

C++ Smart Pointers

CSE 333 Spring 2018

Instructor: Justin Hsia

Teaching Assistants:

Danny Allen

Dennis Shao

Eddie Huang

Kevin Bi

Jack Xu

Matthew Neldam

Michael Poulain

Renshu Gu

Robby Marver

Waylon Huang

Wei Lin

Administrivia

- ❖ Exercise 12a released today, due Wednesday
 - Practice using `map`
- ❖ Midterm is Friday (5/4) @ 5–6 pm in GUG 220
 - No lecture on Friday!
 - 1 double-sided page of handwritten notes; reference sheet provided on exam
 - **Topics:** everything from lecture, exercises, project, etc. up through hw2 and C++ templates
 - Old exams on course website, review in section next week

Lecture Outline

❖ Smart Pointers

- `std::unique_ptr`
- Reference counting
- `std::shared_ptr` and `std::weak_ptr`

std::unique_ptr

- ❖ A `unique_ptr` *takes ownership* of a pointer
 - Part of C++'s standard library (C++11)
 - Its destructor invokes `delete` on the owned pointer
 - Invoked when `unique_ptr` object is `delete`'d or falls out of scope

Using `unique_ptr`

`unique1.cc`

```
#include <iostream> // for std::cout, std::endl
#include <memory>    // for std::unique_ptr
#include <cstdlib>   // for EXIT_SUCCESS

void Leaky() {
    int *x = new int(5); // heap-allocated
    (*x)++;
    std::cout << *x << std::endl;
} // never used delete, therefore leak

void NotLeaky() {
    std::unique_ptr<int> x(new int(5)); // wrapped, heap-allocated
    (*x)++;
    std::cout << *x << std::endl;
} // never used delete, but no leak

int main(int argc, char **argv) {
    Leaky();
    NotLeaky();
    return EXIT_SUCCESS;
}
```

Why are `unique_ptr`s useful?

- ❖ If you have many potential exits out of a function, it's easy to forget to call `delete` on all of them
 - `unique_ptr` will `delete` its pointer when it falls out of scope
 - Thus, a `unique_ptr` also helps with *exception safety*

```
void NotLeaky() {  
    std::unique_ptr<int> x(new int(5));  
    ...  
    // lots of code, including several returns  
    // lots of code, including potential exception throws  
    ...  
}
```

unique_ptr Operations

unique2.cc

```
#include <memory> // for std::unique_ptr
#include <cstdlib> // for EXIT_SUCCESS

using namespace std;
typedef struct { int a, b; } IntPair;

int main(int argc, char **argv) {
    unique_ptr<int> x(new int(5));

    int *ptr = x.get(); // Return a pointer to pointed-to object
    int val = *x;       // Return the value of pointed-to object

    // Access a field or function of a pointed-to object
    unique_ptr<IntPair> ip(new IntPair);
    ip->a = 100;

    // Deallocate current pointed-to object and store new pointer
    x.reset(new int(1));

    ptr = x.release(); // Release responsibility for freeing
    delete ptr;
    return EXIT_SUCCESS;
}
```

unique_ptrs Cannot Be Copied

- ❖ `std::unique_ptr` has disabled its copy constructor and assignment operator
 - You cannot copy a `unique_ptr`, helping maintain “uniqueness” or “ownership”

[uniquefail.cc](#)

```
#include <memory> // for std::unique_ptr
#include <cstdlib> // for EXIT_SUCCESS

int main(int argc, char **argv) {
    std::unique_ptr<int> x(new int(5)); //
    std::unique_ptr<int> y(x); //
    std::unique_ptr<int> z; //
    z = x; //
    return EXIT_SUCCESS;
}
```


Transferring Ownership

- ❖ Use **reset**() and **release**() to transfer ownership
 - **release** returns the pointer, sets wrapper's pointer to NULL
 - **reset delete**'s the current pointer and stores a new one

```
int main(int argc, char **argv) {                                     unique3.cc
    unique_ptr<int> x(new int(5));
    cout << "x: " << x.get() << endl;

    unique_ptr<int> y(x.release()); // x abdicates ownership to y
    cout << "x: " << x.get() << endl;
    cout << "y: " << y.get() << endl;

    unique_ptr<int> z(new int(10));

    // y transfers ownership of its pointer to z.
    // z's old pointer was delete'd in the process.
    z.reset(y.release());

    return EXIT_SUCCESS;
}
```

unique_ptr and STL

- ❖ `unique_ptr` *can* be stored in STL containers
 - Wait, what? STL containers like to make lots of copies of stored objects and `unique_ptr`s cannot be copied...
- ❖ Move semantics to the rescue!
 - When supported, STL containers will *move* rather than *copy*
 - `unique_ptr`s support move semantics

Aside: Copy Semantics

- ❖ Assigning values typically means making a copy
 - Sometimes this is what you want
 - e.g. assigning a string to another makes a copy of its value
 - Sometimes this is wasteful
 - e.g. assigning a returned string goes through a temporary copy

```
std::string ReturnFoo(void) {                                     copysemantics.cc
    std::string x("foo");
    return x; // this return might copy
}

int main(int argc, char **argv) {
    std::string a("hello");
    std::string b(a); // copy a into b

    b = ReturnFoo(); // copy return value into b

    return EXIT_SUCCESS;
}
```

Aside: Move Semantics (C++11)

- ❖ “Move semantics”
 - move values from one object to another without copying (“stealing”)
 - Useful for optimizing away temporary copies
 - This is a complex topic, involving “*rvalue references*”
 - Mostly beyond the scope of 333 this quarter

movesemantics.cc

```
std::string ReturnFoo(void) {
    std::string x("foo");
    // this return might copy
    return x;
}

int main(int argc, char **argv) {
    std::string a("hello");

    // moves a to b
    std::string b = std::move(a);
    std::cout << "a: " << a << std::endl;
    std::cout << "b: " << b << std::endl;

    // moves the returned value into b
    b = std::move(ReturnFoo());
    std::cout << "b: " << b << std::endl;

    return EXIT_SUCCESS;
}
```

Transferring Ownership via Move

- ❖ `unique_ptr` supports move semantics
 - Can “move” ownership from one `unique_ptr` to another
 - Behavior is equivalent to the “release-and-reset” combination

```
int main(int argc, char **argv) {                                     unique4.cc
    unique_ptr<int> x(new int(5));
    cout << "x: " << x.get() << endl;

    unique_ptr<int> y = std::move(x); // x abdicates ownership to y
    cout << "x: " << x.get() << endl;
    cout << "y: " << y.get() << endl;

    unique_ptr<int> z(new int(10));

    // y transfers ownership of its pointer to z.
    // z's old pointer was delete'd in the process.
    z = std::move(y);

    return EXIT_SUCCESS;
}
```

unique_ptr and STL Example

uniquevec.cc

```
int main(int argc, char **argv) {
    std::vector<std::unique_ptr<int> > vec;

    vec.push_back(std::unique_ptr<int>(new int(9)));
    vec.push_back(std::unique_ptr<int>(new int(5)));
    vec.push_back(std::unique_ptr<int>(new int(7)));

    //
    int z = *vec[1];
    std::cout << "z is: " << z << std::endl;

    //
    std::unique_ptr<int> copied = vec[1];

    //
    std::unique_ptr<int> moved = std::move(vec[1]);
    std::cout << "*moved: " << *moved << std::endl;
    std::cout << "vec[1].get(): " << vec[1].get() << std::endl;

    return EXIT_SUCCESS;
}
```

unique_ptr and “<”

- ❖ A `unique_ptr` implements some comparison operators, including `operator<`
 - However, it doesn't invoke `operator<` on the pointed-to objects
 - Instead, it just promises a stable, strict ordering (probably based on the pointer address, not the pointed-to-value)
 - So to use `sort()` on `vectors`, you want to provide it with a comparison function

unique_ptr and STL Sorting

uniquevecsort.cc

```
using namespace std;
bool sortfunction(const unique_ptr<int> &x,
                 const unique_ptr<int> &y) { return *x < *y; }
void printfunction(unique_ptr<int> &x) { cout << *x << endl; }

int main(int argc, char **argv) {
    vector<unique_ptr<int> > vec;
    vec.push_back(unique_ptr<int>(new int(9)));
    vec.push_back(unique_ptr<int>(new int(5)));
    vec.push_back(unique_ptr<int>(new int(7)));

    // buggy: sorts based on the values of the ptrs
    sort(vec.begin(), vec.end());
    cout << "Sorted:" << endl;
    for_each(vec.begin(), vec.end(), &printfunction);

    // better: sorts based on the pointed-to values
    sort(vec.begin(), vec.end(), &sortfunction);
    cout << "Sorted:" << endl;
    for_each(vec.begin(), vec.end(), &printfunction);

    return EXIT_SUCCESS;
}
```


unique_ptr, “<”, and maps

- ❖ Similarly, you can use `unique_ptr`s as keys in a `map`
 - Reminder: a `map` internally stores keys in sorted order
 - Iterating through the `map` iterates through the keys in order
 - By default, “<” is used to enforce ordering
 - You must specify a comparator when constructing the `map` to get a meaningful sorted order using “<” of `unique_ptr`s
- ❖ Compare (the 3rd template) parameter:
 - “A binary predicate that takes two element *keys* as arguments and returns a `bool`. This can be a function pointer or a function object.”
 - `bool fptr(T1& lhs, T1& rhs);` OR member function
`bool operator() (const T1& lhs, const T1& rhs);`

unique_ptr and map Example

uniquemap.cc

```
struct MapComp {
    bool operator()(const unique_ptr<int> &lhs,
                    const unique_ptr<int> &rhs) const { return *lhs < *rhs; }
};

int main(int argc, char **argv) {
    map<unique_ptr<int>,int,MapComp> a_map; // Create the map

    unique_ptr<int> a(new int(5)); // unique_ptr for key
    unique_ptr<int> b(new int(9));
    unique_ptr<int> c(new int(7));

    a_map[std::move(a)] = 25; // move semantics to get ownership
    a_map[std::move(b)] = 81; // of unique_ptrs into the map.
    a_map[std::move(c)] = 49; // a, b, c hold NULL after this.

    map<unique_ptr<int>,int>::iterator it;
    for (it = a_map.begin(); it != a_map.end(); it++) {
        std::cout << "key: " << *(it->first);
        std::cout << " value: " << it->second << std::endl;
    }
    return EXIT_SUCCESS;
}
```

unique_ptr and Arrays

- ❖ `unique_ptr` can store arrays as well
 - Will call `delete[]` on destruction

unique5.cc

```
#include <memory>    // for std::unique_ptr
#include <cstdlib>    // for EXIT_SUCCESS

using namespace std;

int main(int argc, char **argv) {
    unique_ptr<int[]> x(new int[5]);

    x[0] = 1;
    x[2] = 2;

    return EXIT_SUCCESS;
}
```

Reference Counting

- ❖ **Reference counting** is a technique of storing the number of references (pointers that hold the address) to an object

std::shared_ptr

- ❖ `shared_ptr` is similar to `unique_ptr` but we allow shared objects to have multiple owners
 - The copy/assign operators are not disabled and *increment* a reference count
 - After a copy/assign, the two `shared_ptr` objects point to the same pointed-to object and the (shared) reference count is `2`
 - When a `shared_ptr` is destroyed, the reference count is *decremented*
 - When the reference count hits `0`, we `delete` the pointed-to object!

shared_ptr Example

sharedexample.cc

```
#include <cstdlib> // for EXIT_SUCCESS
#include <iostream> // for std::cout, std::endl
#include <memory> // for std::shared_ptr

int main(int argc, char **argv) {
    std::shared_ptr<int> x(new int(10)); // ref count:

    // temporary inner scope (!)
    {
        std::shared_ptr<int> y = x; // ref count:
        std::cout << *y << std::endl;
    }

    std::cout << *x << std::endl; // ref count:

    return EXIT_SUCCESS;
} // ref count:
```

shared_ptrs and STL Containers

- ❖ Even simpler than `unique_ptr`
 - Safe to store `shared_ptr`s in containers, since copy/assign maintain a shared reference count

sharedvec.cc

```
vector<std::shared_ptr<int> > vec;

vec.push_back(std::shared_ptr<int>(new int(9)));
vec.push_back(std::shared_ptr<int>(new int(5)));
vec.push_back(std::shared_ptr<int>(new int(7)));

int &z = *vec[1];
std::cout << "z is: " << z << std::endl;

std::shared_ptr<int> copied = vec[1]; // works!
std::cout << "*copied: " << *copied << std::endl;

std::shared_ptr<int> moved = std::move(vec[1]); // works!
std::cout << "*moved: " << *moved << std::endl;
std::cout << "vec[1].get(): " << vec[1].get() << std::endl;
```

Cycle of shared_ptrs

strongcycle.cc

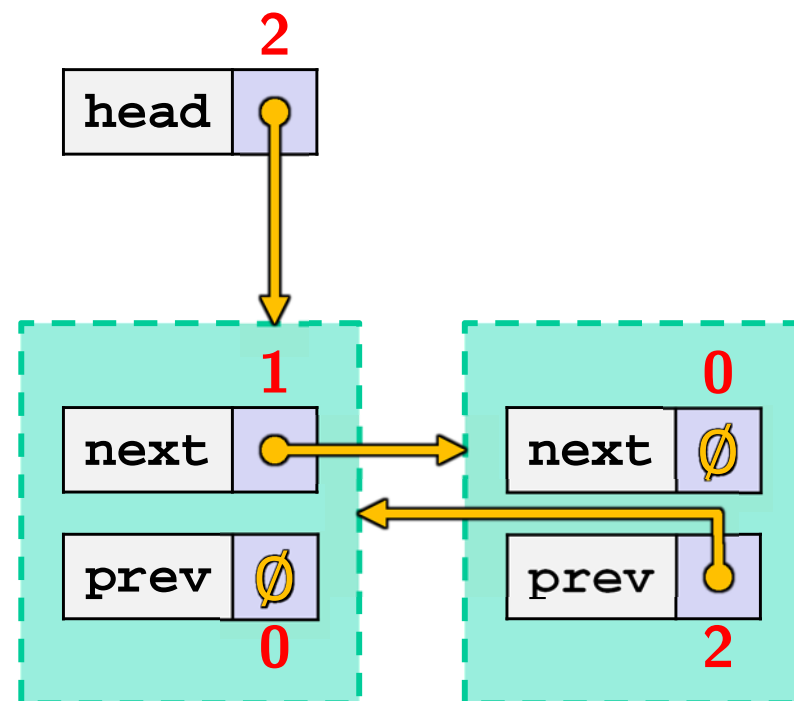
```
#include <cstdlib>
#include <memory>

using std::shared_ptr;

struct A {
    shared_ptr<A> next;
    shared_ptr<A> prev;
};

int main(int argc, char **argv) {
    shared_ptr<A> head(new A());
    head->next = shared_ptr<A>(new A());
    head->next->prev = head;

    return EXIT_SUCCESS;
}
```



- ❖ What happens when we **delete** head?

std::weak_ptr

- ❖ `weak_ptr` is just like a `shared_ptr` but doesn't affect the reference count
 - Can *only* point to an object that is managed by a `shared_ptr`
 - Not *really* a pointer – can't actually dereference unless you “get” its associated `shared_ptr`
 - Because it doesn't influence the reference count, `weak_ptr`s can become “*dangling*”
 - Object referenced may have been `delete`'d
- ❖ Can be used to break our cycle problem!

Breaking the Cycle with weak_ptr

weakcycle.cc

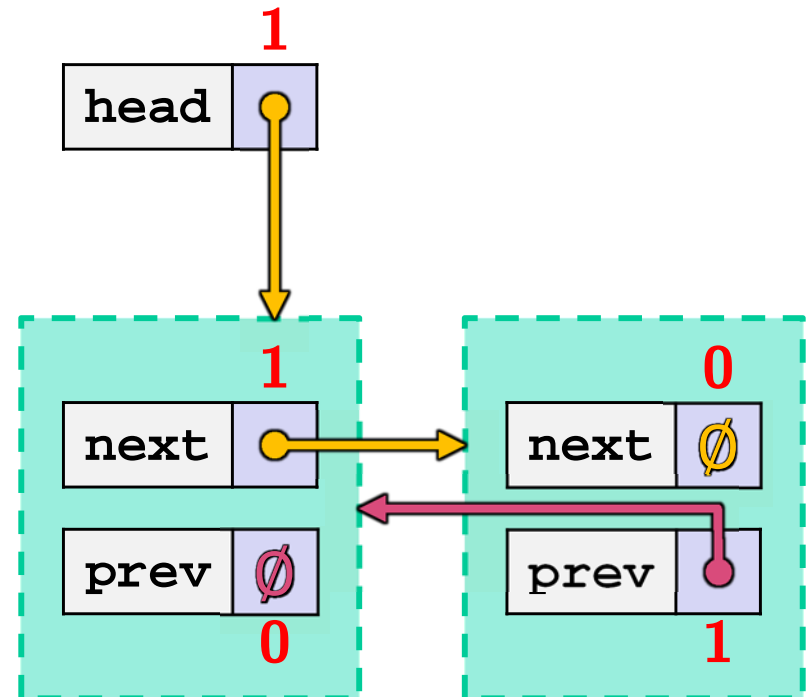
```
#include <cstdlib>
#include <memory>

using std::shared_ptr;
using std::weak_ptr;

struct A {
    shared_ptr<A> next;
    weak_ptr<A> prev;
};

int main(int argc, char **argv) {
    shared_ptr<A> head(new A());
    head->next = shared_ptr<A>(new A());
    head->next->prev = head;

    return EXIT_SUCCESS;
}
```



- ❖ Now what happens when we **delete** head?

Using a weak_ptr

usingweak.cc

```
#include <cstdlib> // for EXIT_SUCCESS
#include <iostream> // for std::cout, std::endl
#include <memory> // for std::shared_ptr, std::weak_ptr

int main(int argc, char **argv) {
    std::weak_ptr<int> w;

    { // temporary inner scope
        std::shared_ptr<int> x;
        { // temporary inner-inner scope
            std::shared_ptr<int> y(new int(10));
            w = y;
            x = w.lock(); // returns "promoted" shared_ptr
            std::cout << *x << std::endl;
        }
        std::cout << *x << std::endl;
    }
    std::shared_ptr<int> a = w.lock();
    std::cout << a << std::endl;

    return EXIT_SUCCESS;
}
```

Summary

- ❖ A `unique_ptr` **takes ownership** of a pointer
 - Cannot be copied, but can be moved
 - `get()` returns the pointer, but is dangerous to use; better to use `release()` instead
 - `reset()` **deletes** old pointer value and stores a new one
- ❖ A `shared_ptr` allows shared objects to have multiple owners by doing *reference counting*
 - **deletes** an object once its reference count reaches zero
- ❖ A `weak_ptr` works with a shared object but doesn't affect the reference count
 - Can't actually be dereferenced