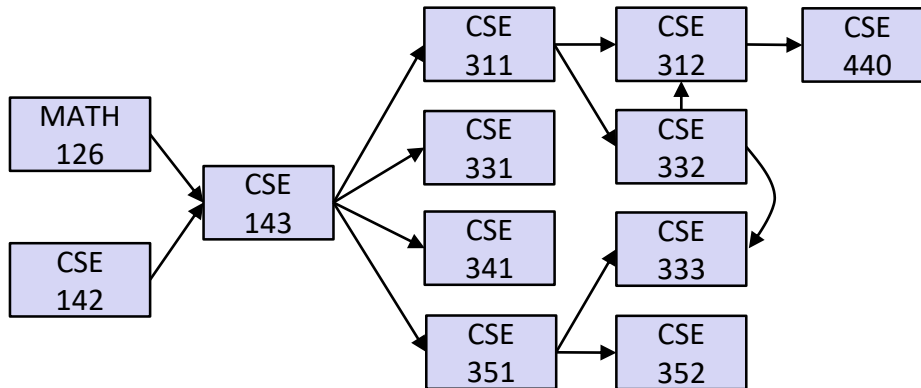


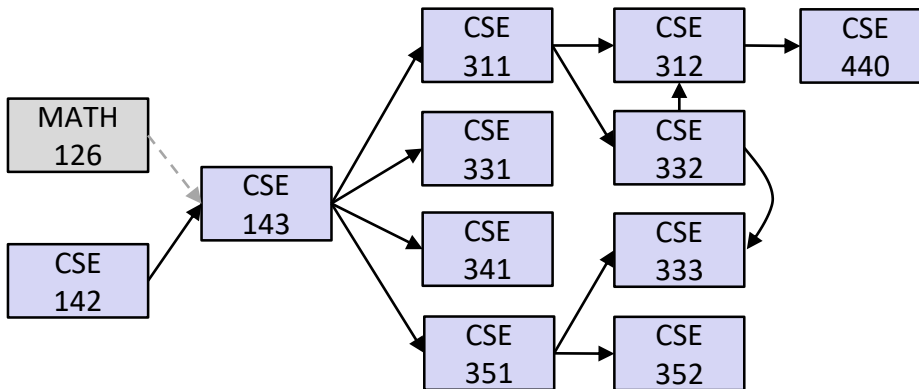
Topological Sort: Example



Output:

Node:	126	142	143	311	312	331	332	333	341	351	352	440
Removed?												
In-degree:	0	0	2	1	2	1	1	2	1	1	1	1

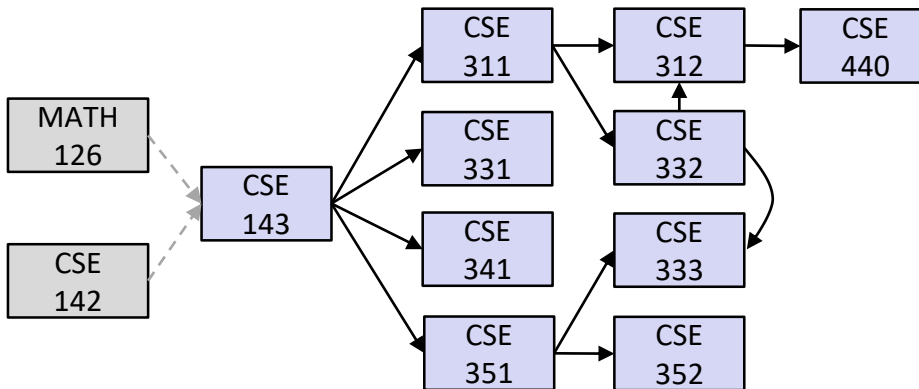
Topological Sort: Example



Output: 126

Node:	126	142	143	311	312	331	332	333	341	351	352	440
Removed?	x											
In-degree:	0	0	1	1	2	1	1	2	1	1	1	1

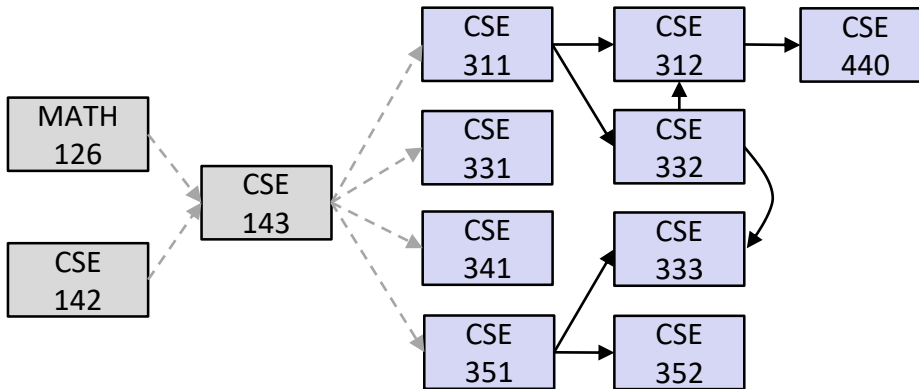
Topological Sort: Example



Output: 126, 142

Node:	126	142	143	311	312	331	332	333	341	351	352	440
Removed?	x	x										
In-degree:	0	0	0	1	2	1	1	2	1	1	1	1

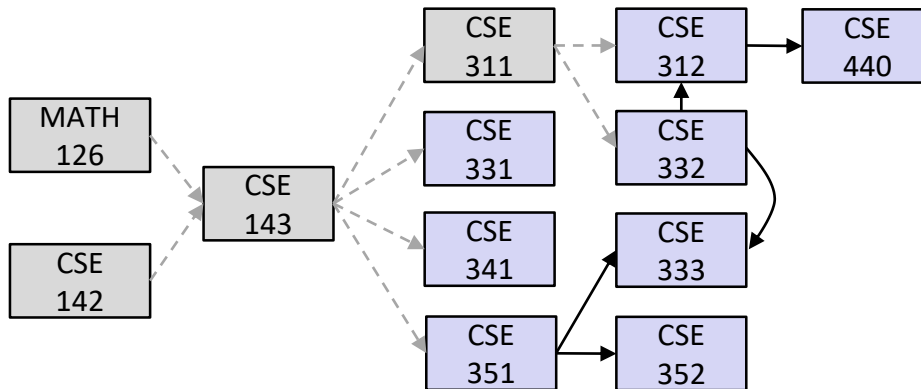
Topological Sort: Example



Output: 126, 142, 143

Node:	126	142	143	311	312	331	332	333	341	351	352	440
Removed?	x	x	x									
In-degree:	0	0	0	0	2	0	1	2	0	0	1	1

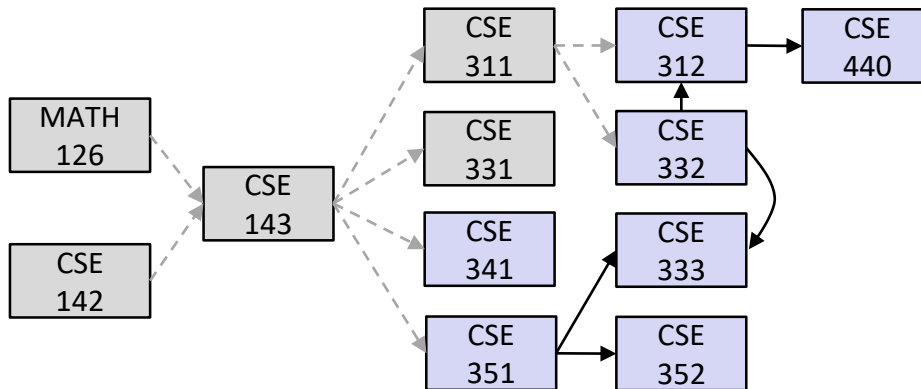
Topological Sort: Example



Output: 126, 142, 143, 311

Node:	126	142	143	311	312	331	332	333	341	351	352	440
Removed?	x	x	x	x								
In-degree:	0	0	0	0	1	0	0	2	0	0	1	1

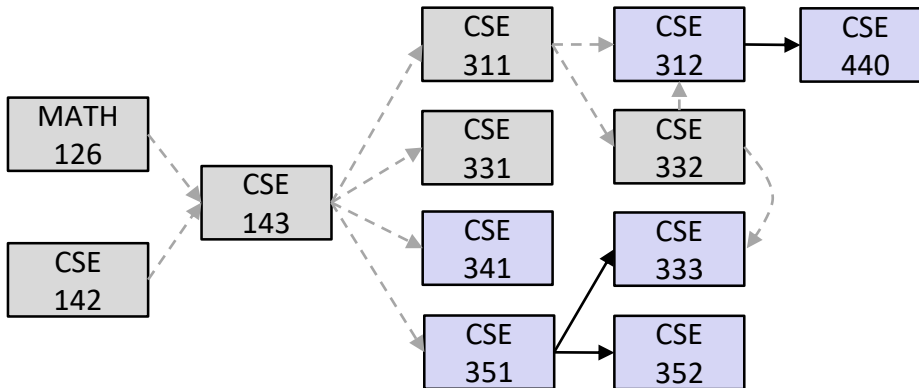
Topological Sort: Example



Output: 126, 142, 143, 311, 331

Node:	126	142	143	311	312	331	332	333	341	351	352	440
Removed?	x	x	x	x		x						
In-degree:	0	0	0	0	1	0	0	2	0	0	1	1

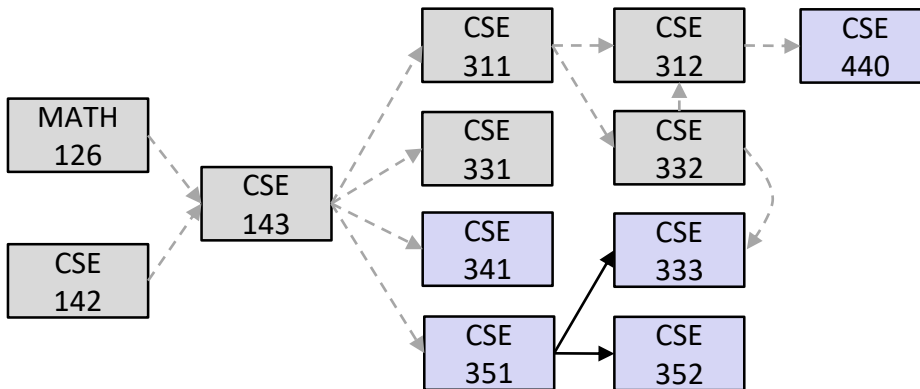
Topological Sort: Example



Output: 126, 142, 143, 311, 331, 332

Node:	126	142	143	311	312	331	332	333	341	351	352	440
Removed?	x	x	x	x		x	x					
In-degree:	0	0	0	0	0	0	0	1	0	0	1	1

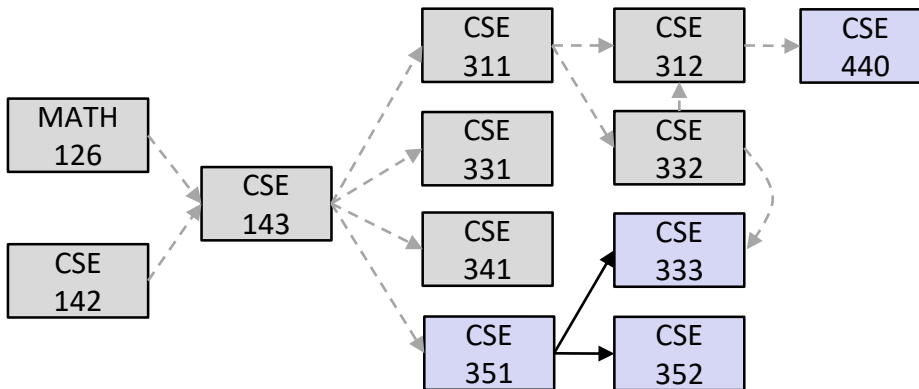
Topological Sort: Example



Output: 126, 142, 143, 311, 331, 332, 312

Node:	126	142	143	311	312	331	332	333	341	351	352	440
Removed?	x	x	x	x	x	x	x					
In-degree:	0	0	0	0	0	0	0	1	0	0	1	0

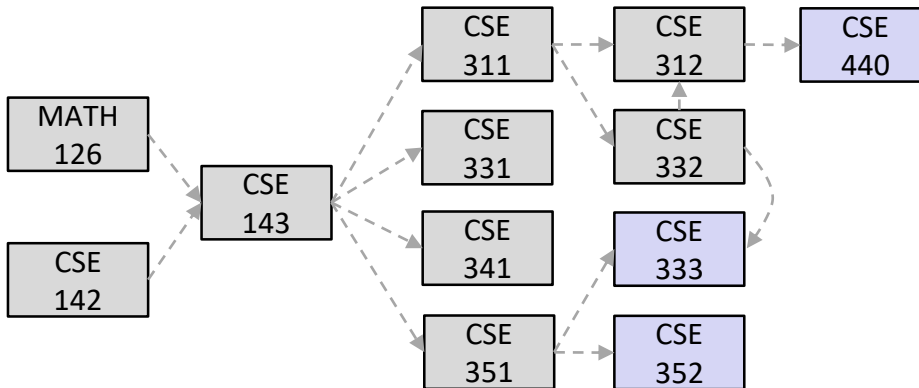
Topological Sort: Example



Output: 126, 142, 143, 311, 331, 332, 312, 341

Node:	126	142	143	311	312	331	332	333	341	351	352	440
Removed?	x	x	x	x	x	x	x		x			
In-degree:	0	0	0	0	0	0	0	1	0	0	1	0

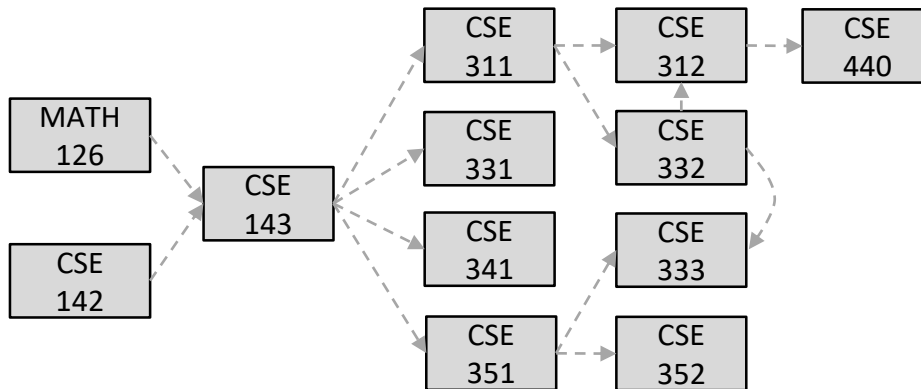
Topological Sort: Example



Output: 126, 142, 143, 311, 331, 332, 312, 341, 351

Node:	126	142	143	311	312	331	332	333	341	351	352	440
Removed?	x	x	x	x	x	x	x		x	x		
In-degree:	0	0	0	0	0	0	0	0	0	0	0	0

Topological Sort: Example



Output: 126, 142, 143, 311, 331, 332, 312, 341, 351, 333, 352, 440

Node:	126	142	143	311	312	331	332	333	341	351	352	440
Removed?	x	x	x	x	x	x	x	x	x	x	x	x
In-degree:	0	0	0	0	0	0	0	0	0	0	0	0