

Hashing

CSE 326
Data Structures
Unit 10

Reading: Chapter 5

The Need for Speed

- Data structures we have looked at so far
 - › Use comparison operations to find items
 - › Need $O(\log N)$ time for Find and Insert
- In real world applications, N is typically between 100 and 100,000 (or more)
 - › $\log N$ is between 6.6 and 16.6
- **Hash tables** are an abstract data type designed for **$O(1)$** Find and Inserts

2

Fewer Functions Faster

- › by **reducing the flexibility** of what we are allowed to do, we can increase the performance of the remaining operations
- compare trees and hash tables
 - › **trees** provide operations that are based on the order of the elements.
 - › **hash tables just let you (quickly) find an element**

3

Limited Set of Hash Operations

- For many applications, a limited set of operations is all that is needed
 - › **Insert, Find, and Delete**
 - › Note that no ordering of elements is implied
- For example, a compiler needs to maintain information about the symbols in a program
 - › user defined
 - › language keywords

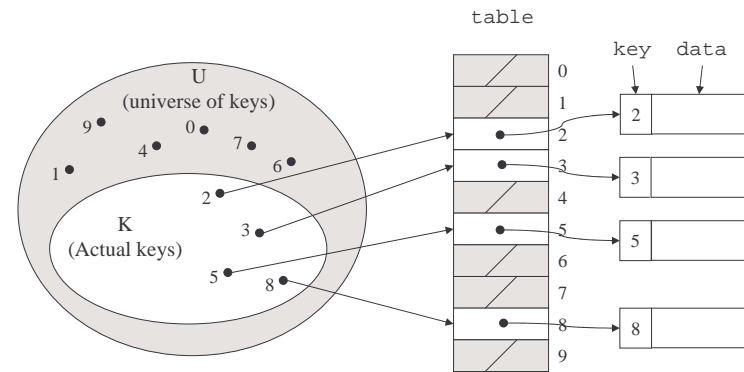
4

Direct Address Tables

- Direct addressing using an array is very fast
- Assume
 - › keys are integers in the set $U=\{0,1,\dots,m-1\}$
 - › m is small
 - › no two elements have the same key
- Then just store each element at the array location `array[key]`
 - › search, insert, and delete are trivial – $O(1)$

5

Direct Access Table



6

Direct Address Implementation

```
Delete(Table T, ElementType x)
    T[key[x]] = NULL //key[x] is an
                    //integer
Insert(Table t, ElementType x)
    T[key[x]] = x
Find(Table t, Key k)
    return T[k]
```

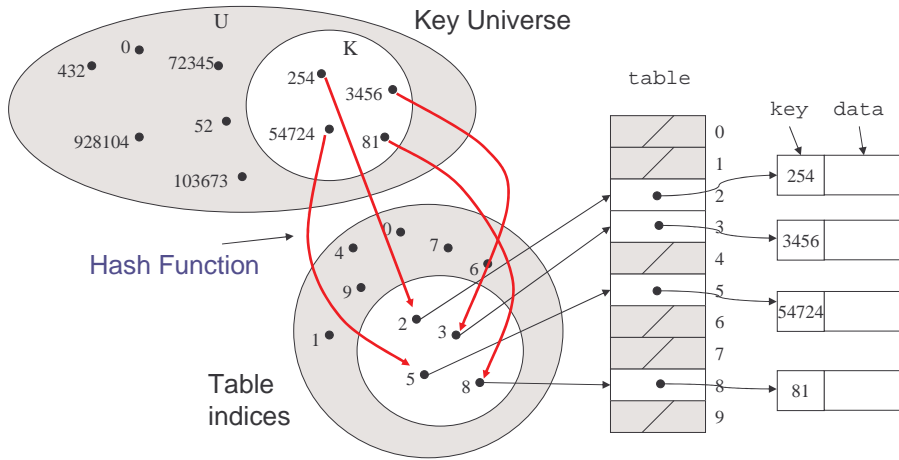
7

An Issue

- If most keys in U are used
 - › direct addressing can work very well (m small)
- The largest possible key in U , say m , may be much larger than the number of elements actually stored ($|U|$ much greater than $|K|$)
 - › the table is very sparse and wastes space
 - › in worst case, table too large to have in memory
- If most keys in U are not used
 - › need to map U to a smaller set closer in size to K

8

Mapping the Keys



9

Hashing Schemes

- We want to store N items in a table of size M, at a location computed from the key K (which may not be numeric)
- Hash function
 - › Method for computing table index from key
- Need of a collision resolution strategy
 - › How to handle two keys that hash to the same index

10

“Find” an Element in an Array

- Key Additional data (class size)
- Data records can be stored in arrays.
 - › $A[0] = \{\text{“CHEM 110”, } 89\}$
 - › $A[3] = \{\text{“CSE 142”, } 251\}$
 - › $A[17] = \{\text{“CSE 326”, } 90\}$
 - Class size for CSE 326?
 - › Linear search the array – $O(N)$ worst case time
 - › Binary search - $O(\log N)$ worst case

11

Go Directly to the Element

- What if we could directly index into the array using the key?
 - › $A[\text{“CSE 326”}] = \{90\}$
- Main idea behind hash tables
 - › Use a key based on some aspect of the data to index directly into an array
 - › $O(1)$ time to access records

12

Indexing into Hash Table

- Need a fast *hash function* to convert the element key (string or number) to an integer (the *hash value*) (i.e, map from U to index)
 - › Then use this value to index into an array
 - › Hash("CSE 326") = 17, Hash("CSE 142") = 3
- Output of the hash function
 - › must always be less than size of array
 - › should be as evenly distributed as possible

13

Choosing the Hash Function

- What properties do we want from a hash function?
 - › Want universe of hash values to be distributed randomly and evenly to minimize collisions
 - › Don't want systematic nonrandom pattern that might lead to systematic collisions

14

The Key Values are Important

- Notice that one issue with all the hash functions is that the actual content of the key set matters
- The elements in K (the keys that are used) are quite possibly a restricted subset of U, not just a random collection
 - › variable names, words in the English language, reserved keywords, telephone numbers, etc, etc.

15

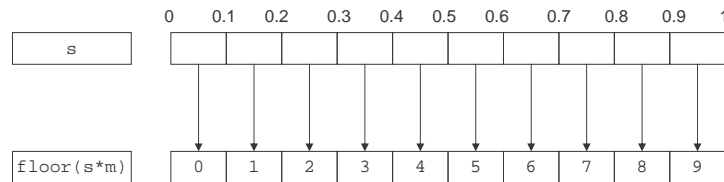
Simple Hashes

- It's possible to have very simple hash functions if you are certain of your keys
- For example,
 - › suppose we know that the keys s will be real numbers uniformly distributed over $0 \leq s < 1$
 - › Then a very fast, very good hash function is
 - $\text{hash}(s) = \text{floor}(s \cdot m)$
 - where m is the size of the table

16

Example of a Very Simple Mapping

- $\text{hash}(s) = \text{floor}(s \cdot m)$ maps from $0 \leq s < 1$ to $0..m-1$
 - › $m = 10$

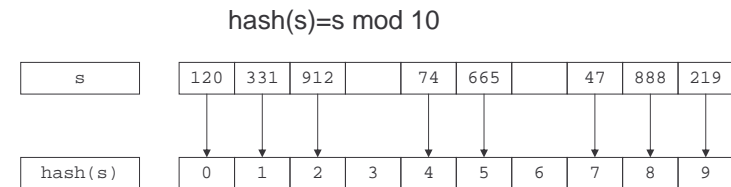


We might have *collisions* (both 0.28 and 0.21 are mapped to 2), we will deal with them later.

17

Perfect Hashing

- In some cases it is possible to map a known set of keys uniquely to a set of index values
- You must know every single key beforehand and be able to derive a function that works *one-to-one*



18

Mod Hash Function

- One solution for a less constrained key set
 - › modular arithmetic
- a **mod size**
 - › remainder when "a" is divided by "size"
 - › in C or Java this is written as `r = a % size;`
 - › If `TableSize = 251`
 - $408 \bmod 251 = 157$
 - $352 \bmod 251 = 101$

19

Hashing Integers

- If keys are integers, we can use the hash function:
 - › $\text{Hash}(\text{key}) = \text{key} \bmod \text{TableSize}$
- **Problem 1:** What if `TableSize` is 12 and all keys are $12k+2$? (e.g., 26, 38, 62, ...)
 - › all keys map to the same index
 - › Need to pick `TableSize` carefully: a prime number is often a good choice.

20

Collisions

- A **collision** occurs when two different keys hash to the same value
 - › E.g. For $TableSize = 17$, the keys 18 and 35 hash to the same value for the mod17 hash function
 - › $18 \bmod 17 = 1$ and $35 \bmod 17 = 1$
- Cannot store both data records in the same slot in array!

21

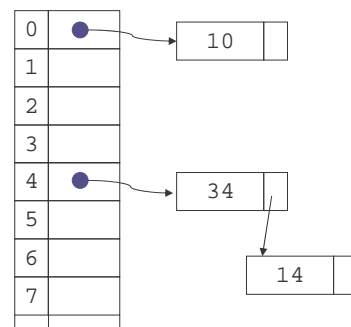
Collision Resolution

- **Separate Chaining**
 - › Use data structure (such as a linked list) to store multiple items that hash to the same slot
- **Open addressing (or probing)**
 - › search for empty slots using a second function and store item in first empty slot that is found

22

Resolution by Chaining

- Each hash table cell holds pointer to linked list of records with same hash value
- Collision: Insert item into linked list
- To Find an item: compute hash value, then do Find on linked list
- Note that there are potentially as many as $TableSize$ lists



23

Why Lists?

- Can use List ADT for Find/Insert/Delete in linked list
 - › $O(N)$ runtime where N is the number of elements in the particular chain
- Can also use Binary Search Trees
 - › $O(\log N)$ time instead of $O(N)$
 - › But the number of elements to search through should be small (otherwise the hashing function is bad or the table is too small)
 - › generally not worth the overhead of BSTs

24

Load Factor of a Hash Table

- Let N = number of items to be stored
- Load factor $\lambda = N/\text{TableSize}$
 - › $\text{TableSize} = 101$ and $N = 505$, then $\lambda = 5$
 - › $\text{TableSize} = 101$ and $N = 10$, then $\lambda = 0.1$
- Average length of chained list = λ and so **average time** for accessing an item = $O(1) + O(\lambda)$
 - › Want λ to be smaller than 1 but close to 1 if good hashing function (i.e. $\text{TableSize} \approx N$)
 - › With chaining hashing continues to work for $\lambda > 1$

25

Resolution by Open Addressing

- No links, all keys are in the table
 - › reduced overhead saves space
- When searching for x , check locations $h_1(x), h_2(x), h_3(x), \dots$ until either
 - › x is found; or
 - › we find an empty location (x not present)
- Various flavors of open addressing differ in which probe sequence they use

26

Cell Full? Keep Looking.

- $h_i(x) = (\text{Hash}(x) + F(i)) \bmod \text{TableSize}$
 - › Define $F(0) = 0$
- F is the collision resolution function. Some possibilities:
 - › Linear: $F(i) = i$
 - › Quadratic: $F(i) = i^2$
 - › Double Hashing: $F(i) = i \cdot \text{Hash}_2(x)$

27

Linear Probing

- When searching for k , check locations $h(k), h(k)+1, h(k)+2, \dots \bmod \text{TableSize}$ until either
 - › k is found; or
 - › we find an empty location (k not present)
- If table is very sparse, we'll probably find k quickly.
- When table starts filling, we get clustering but still constant average search time.
- Full table \Rightarrow infinite loop.

28

Primary Clustering Problem

- Once a block of a few contiguous occupied positions emerges in table, it becomes a “target” for subsequent collisions
- As clusters grow, they also merge to form larger clusters.
- **Primary clustering:** elements that hash to different cells probe same alternative cells

29

Quadratic Probing

- When searching for x , check locations $h_1(x), h_1(x) + 1^2, h_1(x) + 2^2, \dots \text{ mod } \text{TableSize}$ until either
 - > x is found; or
 - > we find an empty location (x not present)
- clustering is still possible

30

Double Hashing

- When searching for x , check locations $h_1(x), h_1(x) + h_2(x), h_1(x) + 2 \cdot h_2(x), \dots \text{ mod } \text{TableSize}$ until either
 - > x is found; or
 - > we find an empty location (x not present)
- Must be careful about $h_2(x)$
 - > Not 0 and not a divisor of m
 - > eg, $h_1(k) = k \text{ mod } m_1, h_2(k) = 1 + (k \text{ mod } m_2)$ where m_2 is slightly less than m_1

31

Rules of Thumb

- Separate chaining is simple but wastes space...
- Linear probing uses space better, is fast when tables are sparse
- Double hashing is space efficient, fast (get initial hash and increment at the same time), needs careful implementation

32

Rehashing – Rebuild the Table

- Need to use lazy deletion if we use probing (why?)
 - › Need to mark array slots as deleted after Delete
 - › consequently, deleting doesn't make the table any less full than it was before the delete
- If table gets too full ($\lambda \approx 1$) or if many deletions have occurred, running time gets too long and Inserts may fail

33

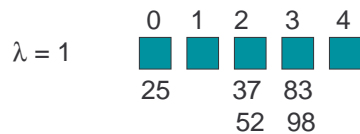
Rehashing

- Build a bigger hash table of approximately twice the size when λ exceeds a particular value
 - › Go through old hash table, ignoring items marked deleted
 - › Recompute hash value for each non-deleted key and put the item in new position in new table
 - › Cannot just copy data from old table because the bigger table has a new hash function
- Running time is $O(N)$ but happens very infrequently
 - › Not good for real-time safety critical applications

34

Rehashing Example

- Open hashing – $h_1(x) = x \bmod 5$ rehashes to $h_2(x) = x \bmod 11$.



35

Nonnumerical Keys

- Many hash functions assume that the universe of keys is the natural numbers $\mathbf{N}=\{0,1,\dots\}$
- Need to find a function to convert the actual key to a natural number quickly and effectively before or during the hash calculation
- Generally work with the ASCII character codes when converting strings to numbers

36

Characters to Integers

- If keys are strings we can get an integer by adding up ASCII values of characters in *key*
- We are converting a very large string $c_0c_1c_2 \dots c_n$ to a relatively small number $c_0+c_1+c_2+\dots+c_n \bmod \text{size}$.

character	→	C	S	E		3	7	3	<0>
ASCII value	→	67	83	69	32	51	55	51	0

37

Hash Must be Onto Table

- **Problem 2:** What if *TableSize* is 10,000 and all keys are 8 or less characters long?
 - › chars have values between 0 and 127
 - › Keys will hash only to positions 0 through $8*127 = 1016$
- **Need to distribute keys over the entire table or the extra space is wasted**

38

Problems with Adding Characters

- Problems with adding up character values for string keys
 - › If string keys are short, will not hash evenly to all of the hash table
 - › **Different character combinations hash to same value**
 - “abc”, “bca”, and “cab” all add up to the same value (recall this was Problem 1)

39

Characters as Integers

- A character string can be thought of as a base 256 number. The string $c_1c_2\dots c_n$ can be thought of as the number $c_n + 256c_{n-1} + 256^2c_{n-2} + \dots + 256^{n-1}c_1$
- **Use Horner's Rule to Hash!**

```
r = 0;
for i = 1 to n do
  r := (c[i] + 256*r) mod TableSize
```

40

Caveats

- Hash functions are very often the cause of performance bugs.
- Hash functions often make the code not portable.
- If a particular hash function behaves badly on your data, then pick another.
- Always check where the time goes