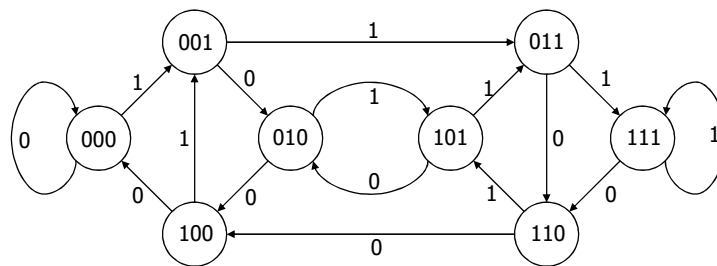
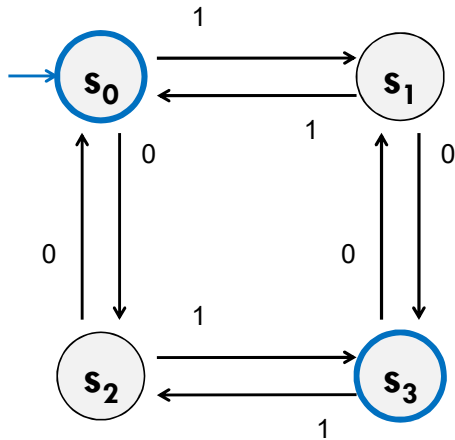


The set of binary strings with a 1 in the 3rd position from the start

3 bit shift register “Remember the last three bits”



What language does this machine recognize?



NFA that recognizes "binary strings with a 1 in the third position from the end"

"Perfect Guesser": The NFA has input x , and whenever there is a choice of what to do, it **magically** guesses a transition that will eventually lead to acceptance (if one exists)

Perfect guesser view makes this easier.

Design an NFA for the language in the title.

[Pollev.com/uwcse311](https://pollev.com/uwcse311)