



pollev.com/cse333

About how long did Exercise 2 take you?

- A. [0, 2) hours
- B. [2, 4) hours
- C. [4, 6) hours
- D. [6, 8) hours
- E. 8+ Hours
- F. I didn't submit / I prefer not to say

Modules, C Preprocessor

CSE 333 Winter 2022

Instructor: Justin Hsia

Teaching Assistants:

Aakash Srazali

Assaf Vayner

Brenden Page

Cleo Chen

Dan Constantinescu

Dylan Hartono

Elizabeth Haker

Jacob Christy

Julia Wang

Kenzie Mihardja

Kyrie Dowling

Mengqi Chen

Mitchell Levy

Timmy Yang

Relevant Course Information

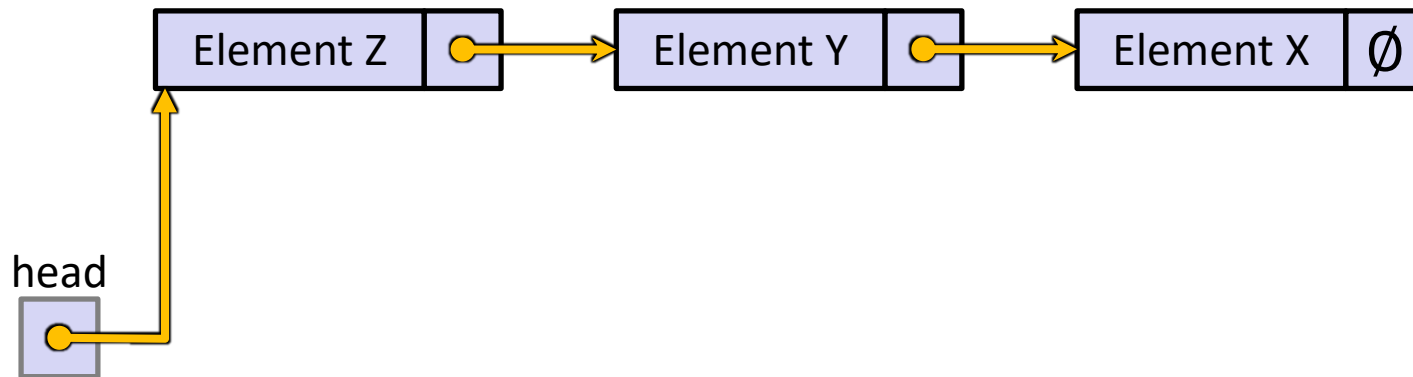
- ❖ Exercise 3 out today, due Monday morning
 - Depends on content from Lectures 4 & 5
 - Monday is a holiday, but keeping schedule so you have time to work on Homework 1
- ❖ Homework 1 due a week from Thursday
 - You should be well under way now
 - Be sure to read headers *carefully* while implementing
 - Use git add/commit/push regularly to save work – easier to share with partner and course staff
- ❖ Section this week will involve group debugging!
 - Be prepared for drawing memory diagrams and using your terminal

Lecture Outline

- ❖ **Generic Data Structures in C**
- ❖ Modules & Interfaces
- ❖ C Preprocessor Intro

Simple Linked List in C

- ❖ Each node in a linear, singly-linked list contains:
 - Some element as its payload
 - A pointer to the next node in the linked list
 - This pointer is `NULL` (or some other indicator) in the last node in the list



Linked List Node

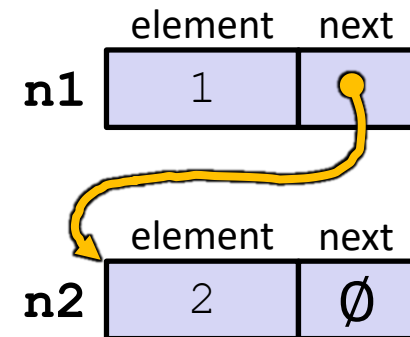
- ❖ Let's represent a linked list node with a struct
 - For now, assume each element is an `int`

```
typedef struct node_st {
    int element;
    struct node_st* next;
} Node;

int main(int argc, char** argv) {
    Node n1, n2;

    n1.element = 1;
    n1.next = &n2;
    n2.element = 2;
    n2.next = NULL;
    return EXIT_SUCCESS;
}
```

manual_list.c



Push Onto List

Arrow points to
next instruction.

```
typedef struct node_st {
    int element;
    struct node_st* next;
} Node;

Node* Push(Node* head, int e) {
    Node* n = (Node*) malloc(sizeof(Node));
    assert(n != NULL); // crashes if false
    n->element = e;
    n->next = head;
    return n;
}

int main(int argc, char** argv) {
    Node* list = NULL;
    list = Push(list, 1);
    list = Push(list, 2);
    return EXIT_SUCCESS;
}
```

(main) list



push_list.c


Push Onto List


Arrow points to
next instruction.

```
typedef struct node_st {
    int element;
    struct node_st* next;
} Node;

Node* Push(Node* head, int e) {
    Node* n = (Node*) malloc(sizeof(Node));
    assert(n != NULL); // crashes if false
    n->element = e;
    n->next = head;
    return n;
}

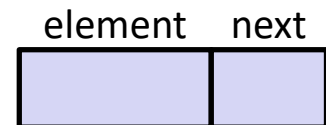
int main(int argc, char** argv) {
    Node* list = NULL;
    list = Push(list, 1);
    list = Push(list, 2);
    return EXIT_SUCCESS;
}
```

(main) list 

(Push) head 

(Push) e 

(Push) n 



push_list.c

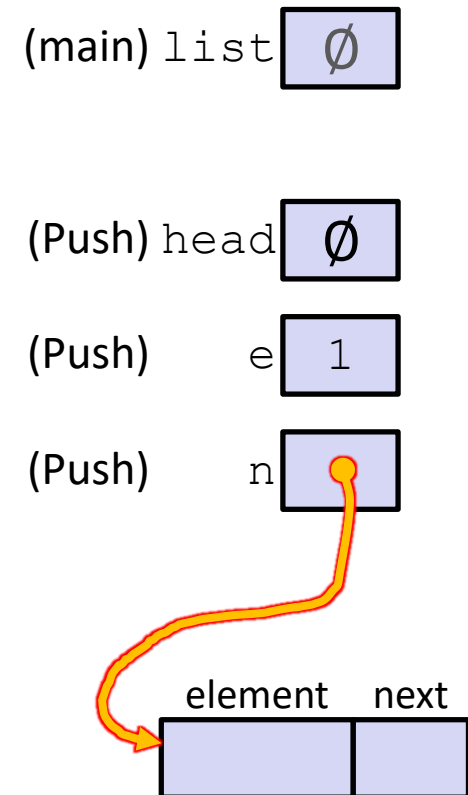
Push Onto List

Arrow points to
next instruction.

```
typedef struct node_st {
    int element;
    struct node_st* next;
} Node;

Node* Push(Node* head, int e) {
    Node* n = (Node*) malloc(sizeof(Node));
    assert(n != NULL); // crashes if false
    n->element = e;
    n->next = head;
    return n;
}

int main(int argc, char** argv) {
    Node* list = NULL;
    list = Push(list, 1);
    list = Push(list, 2);
    return EXIT_SUCCESS;
}
```



push_list.c

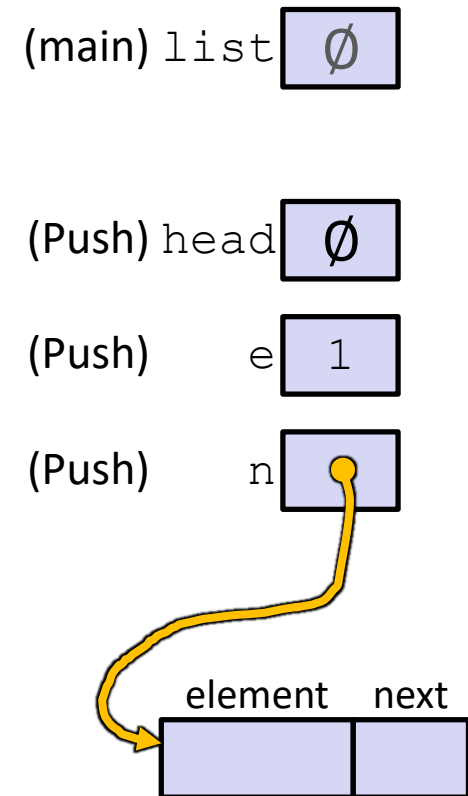
Push Onto List

Arrow points to
next instruction.

```
typedef struct node_st {
    int element;
    struct node_st* next;
} Node;

Node* Push(Node* head, int e) {
    Node* n = (Node*) malloc(sizeof(Node));
    assert(n != NULL); // crashes if false
    n->element = e;
    n->next = head;
    return n;
}

int main(int argc, char** argv) {
    Node* list = NULL;
    list = Push(list, 1);
    list = Push(list, 2);
    return EXIT_SUCCESS;
}
```



push_list.c

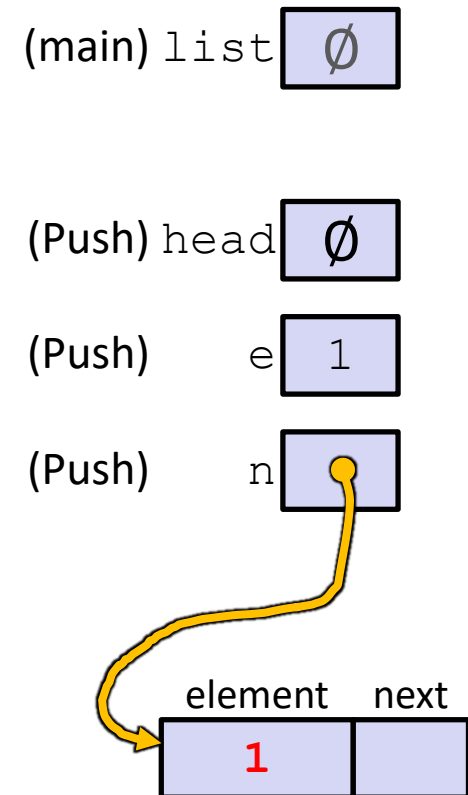
Push Onto List

Arrow points to
next instruction.

```
typedef struct node_st {
    int element;
    struct node_st* next;
} Node;

Node* Push(Node* head, int e) {
    Node* n = (Node*) malloc(sizeof(Node));
    assert(n != NULL); // crashes if false
    n->element = e;
    n->next = head;
    return n;
}

int main(int argc, char** argv) {
    Node* list = NULL;
    list = Push(list, 1);
    list = Push(list, 2);
    return EXIT_SUCCESS;
}
```



push_list.c

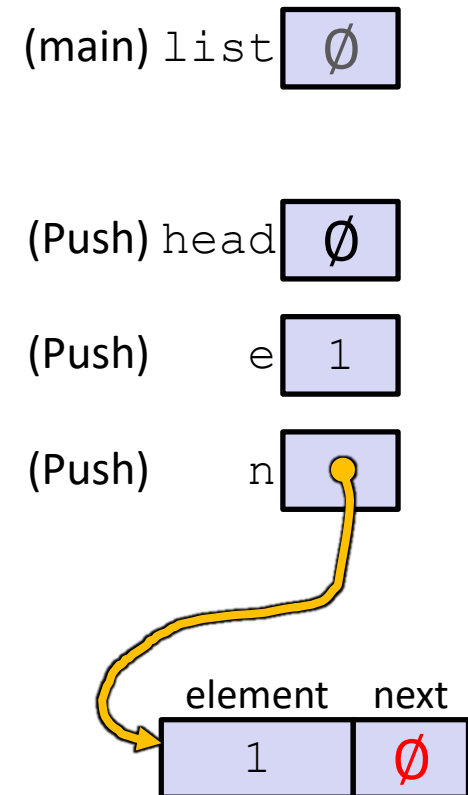
Push Onto List

Arrow points to
next instruction.

```
typedef struct node_st {
    int element;
    struct node_st* next;
} Node;

Node* Push(Node* head, int e) {
    Node* n = (Node*) malloc(sizeof(Node));
    assert(n != NULL); // crashes if false
    n->element = e;
    n->next = head;
    return n;
}

int main(int argc, char** argv) {
    Node* list = NULL;
    list = Push(list, 1);
    list = Push(list, 2);
    return EXIT_SUCCESS;
}
```



push_list.c

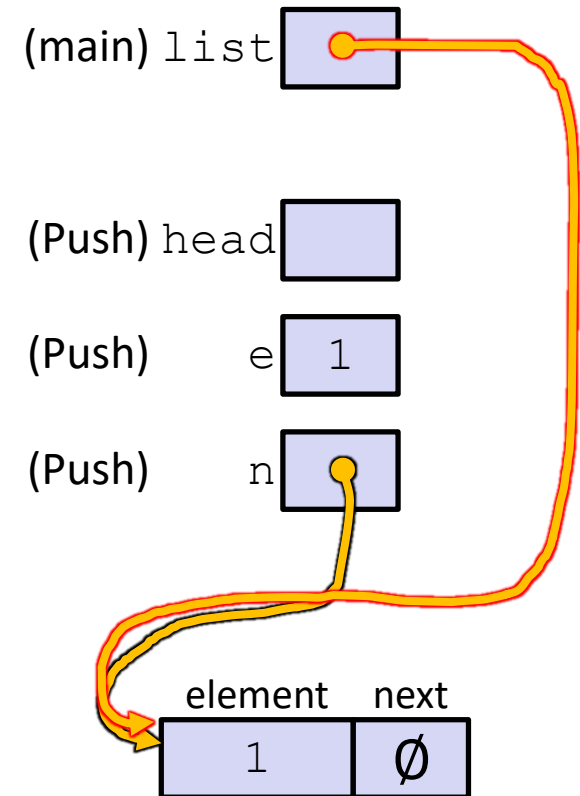
Push Onto List

Arrow points to
next instruction.

```
typedef struct node_st {
    int element;
    struct node_st* next;
} Node;

Node* Push(Node* head, int e) {
    Node* n = (Node*) malloc(sizeof(Node));
    assert(n != NULL); // crashes if false
    n->element = e;
    n->next = head;
    return n;
}

int main(int argc, char** argv) {
    Node* list = NULL;
    list = Push(list, 1);
    list = Push(list, 2);
    return EXIT_SUCCESS;
}
```



push_list.c

Push Onto List

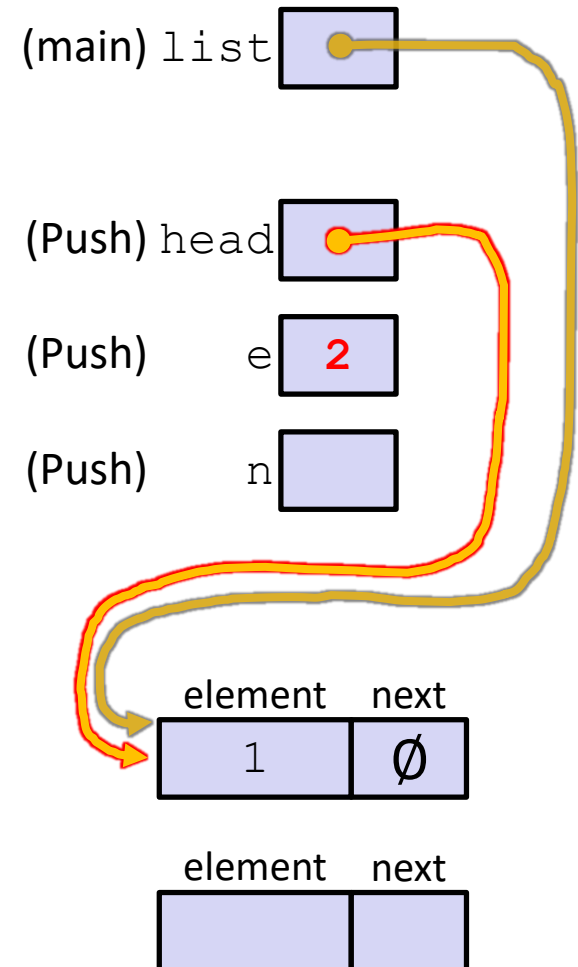
Arrow points to
next instruction.

```
typedef struct node_st {
    int element;
    struct node_st* next;
} Node;

Node* Push(Node* head, int e) {
    Node* n = (Node*) malloc(sizeof(Node));
    assert(n != NULL); // crashes if false
    n->element = e;
    n->next = head;
    return n;
}

int main(int argc, char** argv) {
    Node* list = NULL;
    list = Push(list, 1);
    list = Push(list, 2);
    return EXIT_SUCCESS;
}
```

push_list.c



Push Onto List

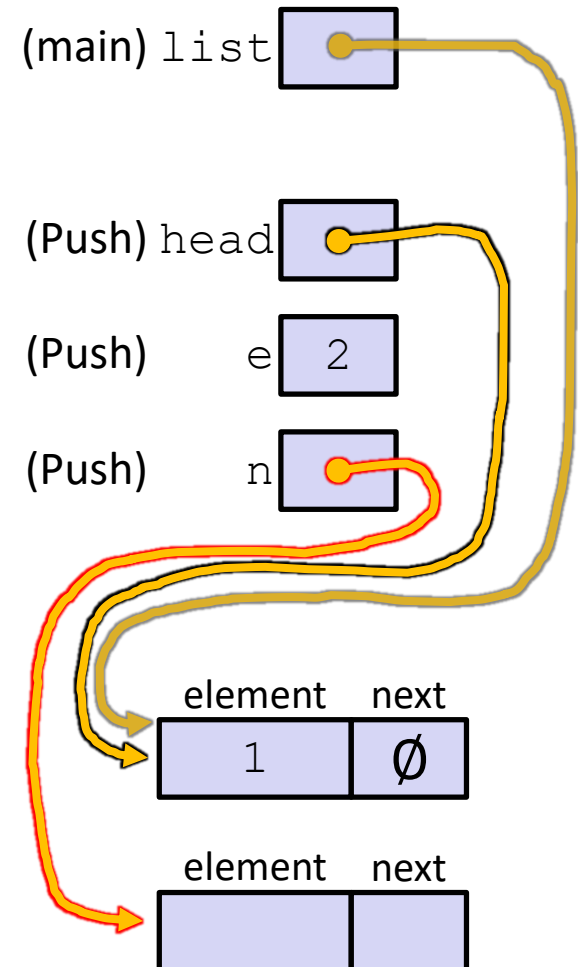
Arrow points to
next instruction.

```
typedef struct node_st {
    int element;
    struct node_st* next;
} Node;

Node* Push(Node* head, int e) {
    Node* n = (Node*) malloc(sizeof(Node));
    assert(n != NULL); // crashes if false
    n->element = e;
    n->next = head;
    return n;
}

int main(int argc, char** argv) {
    Node* list = NULL;
    list = Push(list, 1);
    list = Push(list, 2);
    return EXIT_SUCCESS;
}
```

push_list.c



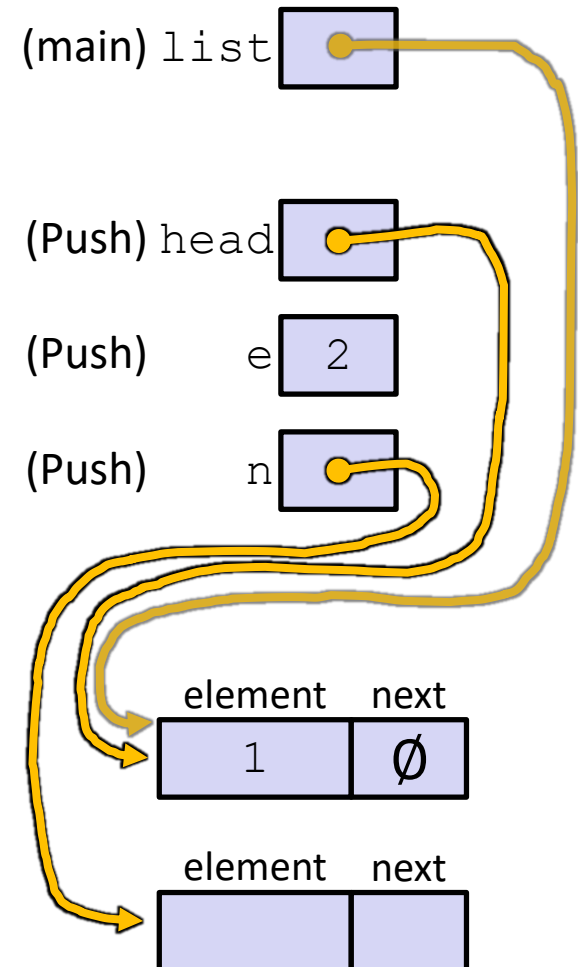
Push Onto List

Arrow points to
next instruction.

```
typedef struct node_st {
    int element;
    struct node_st* next;
} Node;

Node* Push(Node* head, int e) {
    Node* n = (Node*) malloc(sizeof(Node));
    assert(n != NULL); // crashes if false
    n->element = e;
    n->next = head;
    return n;
}

int main(int argc, char** argv) {
    Node* list = NULL;
    list = Push(list, 1);
    list = Push(list, 2);
    return EXIT_SUCCESS;
}
```



push_list.c

Push Onto List

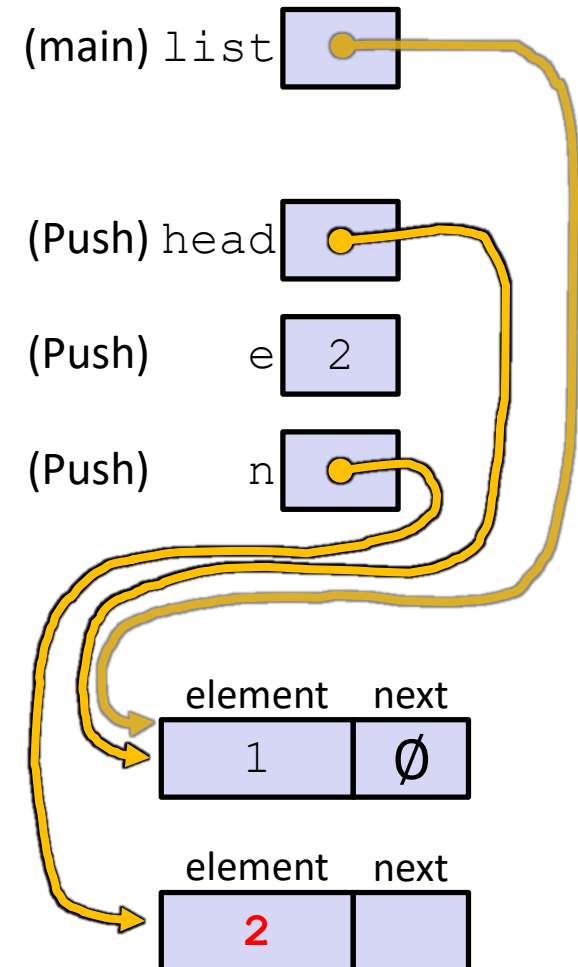
Arrow points to
next instruction.

```
typedef struct node_st {
    int element;
    struct node_st* next;
} Node;

Node* Push(Node* head, int e) {
    Node* n = (Node*) malloc(sizeof(Node));
    assert(n != NULL); // crashes if false
    n->element = e;
    n->next = head;
    return n;
}

int main(int argc, char** argv) {
    Node* list = NULL;
    list = Push(list, 1);
    list = Push(list, 2);
    return EXIT_SUCCESS;
}
```

push_list.c



Push Onto List

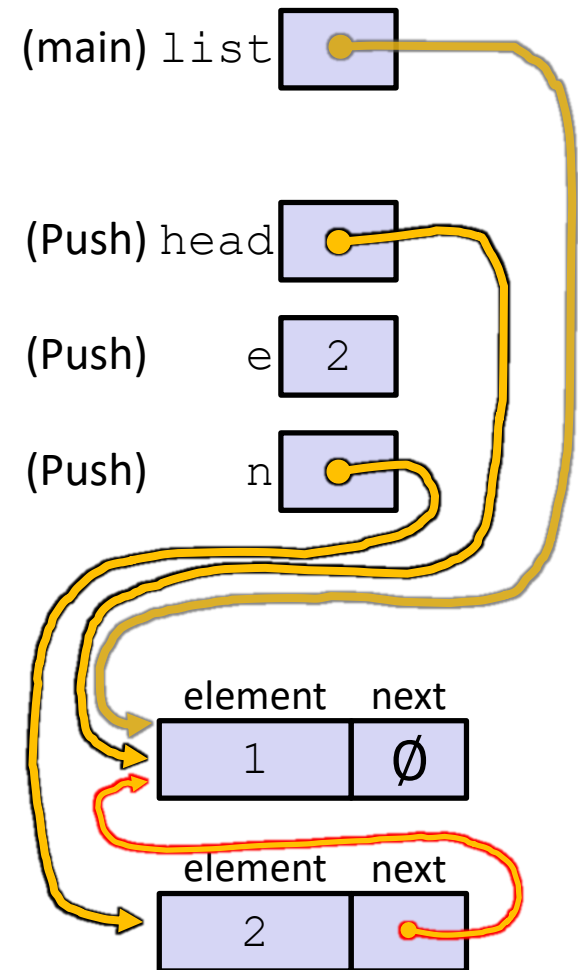
Arrow points to
next instruction.

```
typedef struct node_st {
    int element;
    struct node_st* next;
} Node;

Node* Push(Node* head, int e) {
    Node* n = (Node*) malloc(sizeof(Node));
    assert(n != NULL); // crashes if false
    n->element = e;
    n->next = head;
    return n;
}

int main(int argc, char** argv) {
    Node* list = NULL;
    list = Push(list, 1);
    list = Push(list, 2);
    return EXIT_SUCCESS;
}
```

push_list.c



Push Onto List

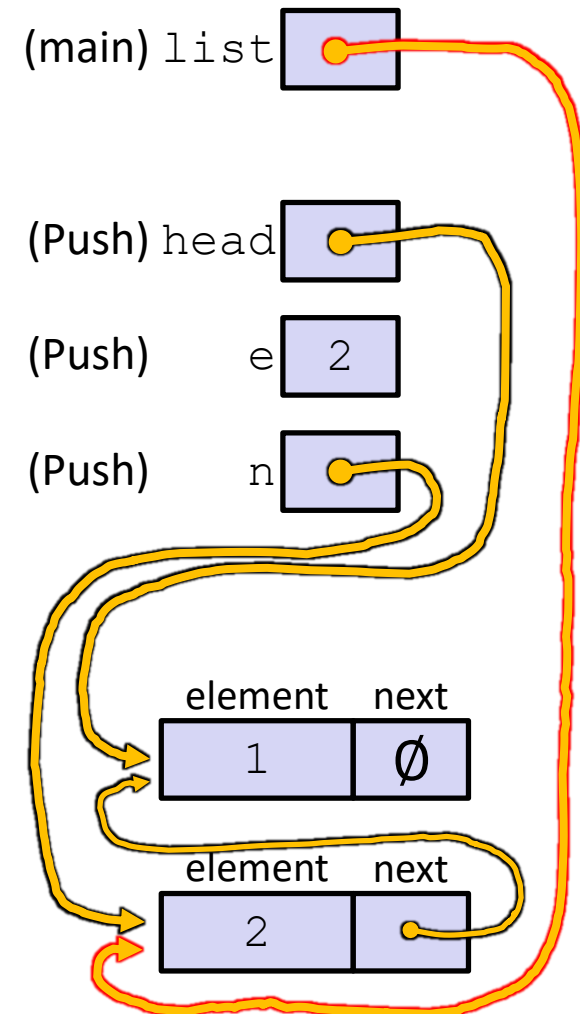
Arrow points to
next instruction.

```
typedef struct node_st {
    int element;
    struct node_st* next;
} Node;

Node* Push(Node* head, int e) {
    Node* n = (Node*) malloc(sizeof(Node));
    assert(n != NULL); // crashes if false
    n->element = e;
    n->next = head;
    return n;
}

int main(int argc, char** argv) {
    Node* list = NULL;
    list = Push(list, 1);
    list = Push(list, 2);
    return EXIT_SUCCESS;
}
```

push_list.c



Push Onto List

Arrow points to
next instruction.

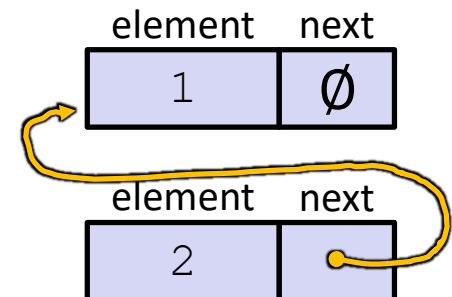
```
typedef struct node_st {
    int element;
    struct node_st* next;
} Node;

Node* Push(Node* head, int e) {
    Node* n = (Node*) malloc(sizeof(Node));
    assert(n != NULL); // crashes if false
    n->element = e;
    n->next = head;
    return n;
}

int main(int argc, char** argv) {
    Node* list = NULL;
    list = Push(list, 1);
    list = Push(list, 2);
    return EXIT_SUCCESS;
}
```



push_list.c

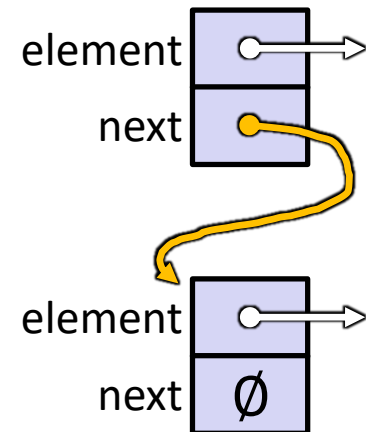


A Generic Linked List

- ❖ Let's generalize the linked list element type
 - Let customer decide type (instead of always `int`)
 - Idea: let them use a generic pointer (*i.e.*, a `void*`)

```
typedef struct node_st {
    void* element;
    struct node_st* next;
} Node;

Node* Push(Node* head, void* e) {
    Node* n = (Node*) malloc(sizeof(Node));
    assert(n != NULL); // crashes if false
    n->element = e;
    n->next = head;
    return n;
}
```



Using a Generic Linked List

- ❖ Type casting needed to deal with `void*` (raw address)
 - Before pushing, need to convert to `void*`
 - Convert back to data type when accessing

```
typedef struct node_st {
    void* element;
    struct node_st* next;
} Node;

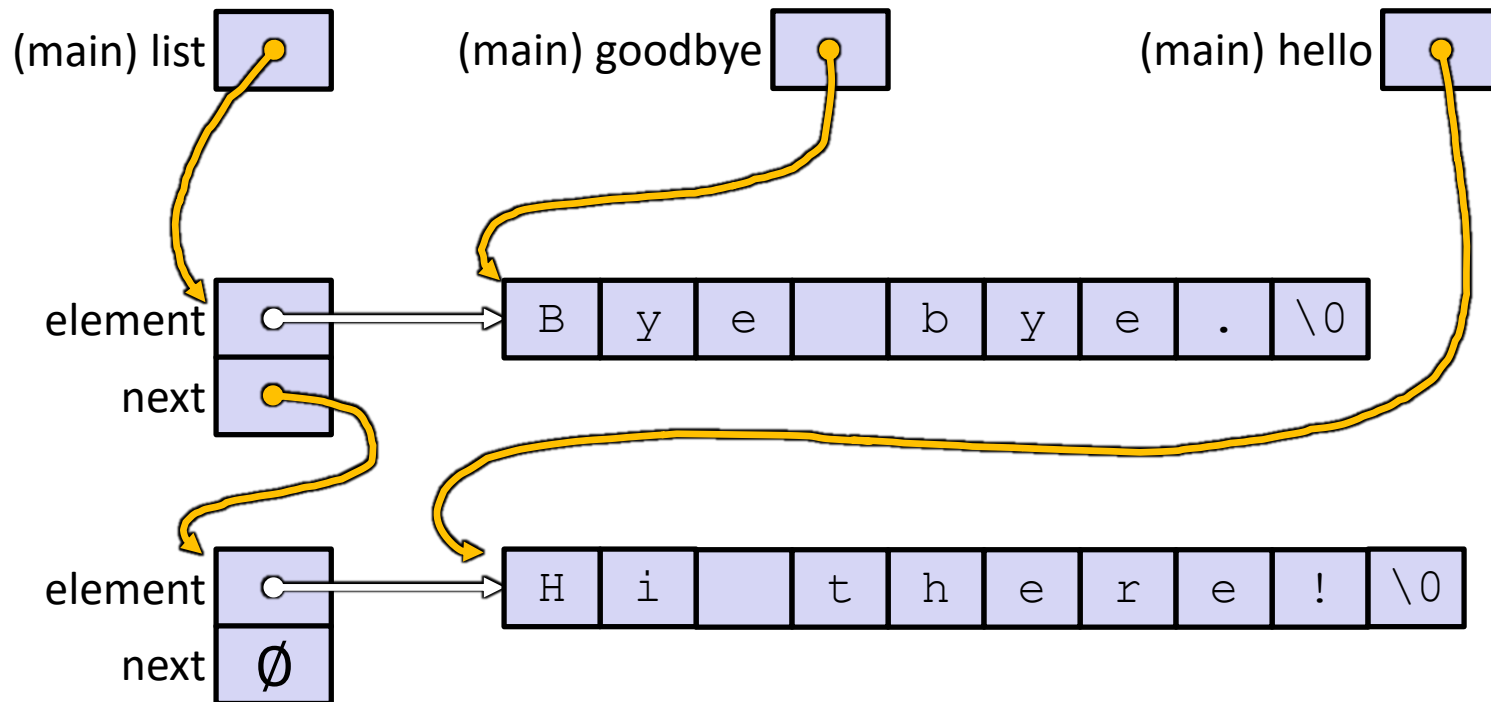
Node* Push(Node* head, void* e);    // assume last slide's code

int main(int argc, char** argv) {
    char* hello = "Hi there!";
    char* goodbye = "Bye bye.";
    Node* list = NULL;

    list = Push(list, (void*) hello);
    list = Push(list, (void*) goodbye);
    printf("payload: '%s'\n", (char*) ((list->next)->element) );
    return EXIT_SUCCESS;
}
```

manual_list_void.c

Resulting Memory Diagram




What would happen if we execute `*(list->next) = *list;`

Something's Fishy...

- ❖ A (benign) memory leak!

```
int main(int argc, char** argv) {
    char* hello = "Hi there!";
    char* goodbye = "Bye bye.";
    Node* list = NULL;

    list = Push(list, (void*) hello);
    list = Push(list, (void*) goodbye);
    return EXIT_SUCCESS;
}
```



- ❖ Try running with Valgrind:

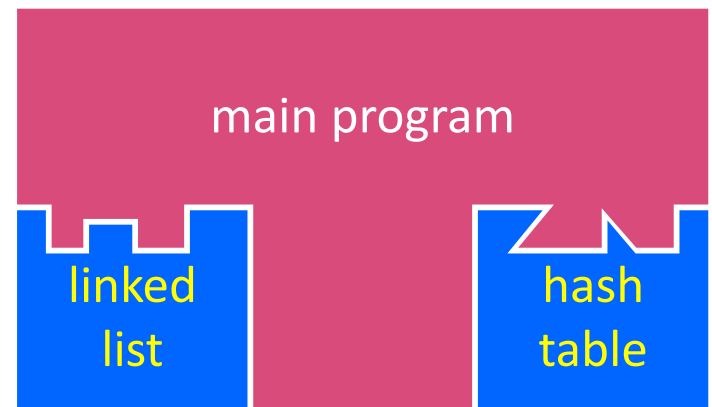
```
bash$ gcc -Wall -g -o manual_list_void manual_list_void.c
bash$ valgrind --leak-check=full ./manual_list_void
```

Lecture Outline

- ❖ Generic Data Structures in C
- ❖ **Modules & Interfaces**
- ❖ C Preprocessor Intro

Multi-File C Programs

- ❖ Let's create a linked list *module*
 - A module is a self-contained piece of an overall program
 - Has externally visible functions that customers can invoke
 - Has externally visible `typedefs`, and perhaps global variables, that customers can use
 - May have internal functions, `typedefs`, or global variables that customers should *not* look at
 - Can be developed independently and re-used in different projects
- ❖ The module's *interface* is its set of public functions, `typedefs`, and global variables



C Header Files

- ❖ **Header:** a file whose only purpose is to be `#include`'d
 - Generally has a filename `.h` extension
 - Holds the variables, types, and function prototype declarations that make up the interface to a module
 - There are `<system-defined>` and "programmer-defined" headers
- ❖ **Main Idea:**
 - Every `name.c` is intended to be a module that has a `name.h`
 - `name.h` declares the interface to that module
 - Other modules can use `name` by `#include-ing` `name.h`
 - They should assume as little as possible about the implementation in `name.c`



C Module Conventions (1 of 2)

- ❖ File contents:
 - `.h` files only contain *declarations*, never *definitions*
 - `.c` files never contain prototype declarations for functions that are intended to be exported through the module interface
 - Public-facing functions are `ModuleName_functionname()` and take a pointer to “`this`” as their first argument
- ❖ Including:
 - **NEVER** `#include` a `.c` file – only `#include` `.h` files
 - `#include` all of headers you reference, even if another header (transitively) includes some of them
- ❖ Compiling:
 - Any `.c` file with an associated `.h` file should be able to be compiled (together via `#include`) into a `.o` file



C Module Conventions (2 of 2)

❖ Commenting:

- If a function is declared in a header file (.h) and defined in a C file (.c), *the header needs full documentation because it is the public specification*
 - Don't copy-paste the comment into the C file (don't want two copies that can get out of sync)
- If prototype and implementation are in the same C file:
 - School of thought #1: Full comment on the prototype at the top of the file, no comment (or “declared above”) on code
 - School of thought #2: Prototype is for the compiler and doesn't need comment; comment the code to keep them together

e.g., 333
project code

Lecture Outline

- ❖ Generic Data Structures in C
- ❖ Modules & Interfaces
- ❖ **C Preprocessor Intro**

#include and the C Preprocessor

- ❖ The C preprocessor (`cpp`) is a *sequential* and *stateful* search-and-replace text-processor that transforms your source code before the compiler runs
 - The input is a C file (text) and the output is still a C file (text)
 - It processes the directives it finds in your code (*#directive*)
 - e.g. `#include "ll.h"` is replaced by the post-processed content of `ll.h`
 - e.g. `#define PI 3.1415` defines a symbol and replaces later occurrences
 - Several others that we'll see soon...
 - Run automatically on your behalf by `gcc` during compilation



Preprocessor Tricks: Constants

- ❖ A way to deal with “magic constants”

```
int globalbuffer[1000];

void circalc(float rad,
             float* circumf,
             float* area) {
    *circumf = rad * 2.0 * 3.1415;
    *area = rad * 3.1415 * 3.1415;
}
```

Bad code

(littered with magic constants)

```
#define BUFSIZE 1000
#define PI 3.14159265359

int globalbuffer[BUFSIZE];

void circalc(float rad,
             float* circumf,
             float* area) {
    *circumf = rad * 2.0 * PI;
    *area = rad * PI * PI;
}
```

Better code



Poll Everywhere

pollev.com/cse333

Exploration: Which of the following text will remain in the preprocessor output?

```
#define BAR 2 + FOO
```

```
typedef long long int verylong;
```

cpp_example.h

```
#define FOO 1
```

```
#include "cpp_example.h"
```

```
int main(int argc, char** argv) {
```

```
    int x = FOO;    // a comment
```

```
    int y = BAR;
```

```
    verylong z = FOO + BAR;
```

```
    return 0;
```

```
}
```

cpp_example.c

Keep in mind:

1. Pre-processor goes line by line
2. builds up "state" as it processes directives

- A. **#define**
- B. **BAR**
- C. **FOO**
- D. **verylong**
- E. **// a comment**

Program Using a Linked List

```
#include <stdlib.h>
#include <assert.h>
#include "ll.h"

Node* Push(Node* head,
           void* element) {
    ... // implementation here
}
```

ll.c

```
typedef struct node_st {
    void* element;
    struct node_st* next;
} Node;

Node* Push(Node* head,
           void* element);
```

ll.h

```
#include "ll.h"

int main(int argc, char** argv) {
    Node* list = NULL;
    char* hi = "hello";
    char* bye = "goodbye";

    list = Push(list, (void*)hi);
    list = Push(list, (void*)bye);

    ...

    return 0;
}
```

example_ll_customer.c

Compiling the Program

- ❖ Four parts:
 - 1/2) Compile `example_ll_customer.c` into an object file
 - 2/1) Compile `ll.c` into an object file
 - 3) Link both object files into an executable
 - 4) Test, Debug, Rinse, Repeat

```
bash$ gcc -Wall -g -c -o example_ll_customer.o example_ll_customer.c
bash$ gcc -Wall -g -c -o ll.o ll.c
bash$ gcc -g -o example_ll_customer ll.o example_ll_customer.o
bash$ ./example_ll_customer
Payload: 'yo!'
Payload: 'goodbye'
Payload: 'hello'
bash$ valgrind -leak-check=full ./example_ll_customer
... etc ...
```

But There's a Problem with #include

- ❖ What happens when we compile `foo.c`?

```
struct pair {  
    int a, b;  
};
```

pair.h

```
#include "pair.h"
```

```
// a useful function
```

```
struct pair* make_pair(int a, int b);
```

util.h

```
#include "pair.h"
```

```
#include "util.h"
```

```
int main(int argc, char** argv) {
```

```
    // do stuff here
```

```
    ...
```

```
    return 0;
```

```
}
```

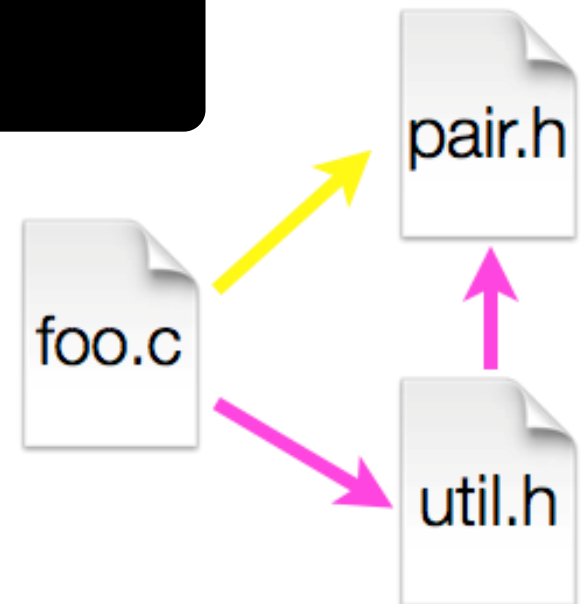
foo.c

A Problem with #include

- ❖ What happens when we compile `foo.c`?

```
bash$ gcc -Wall -g -o foo foo.c
In file included from util.h:1:0,
                 from foo.c:2:
pair.h:1:8: error: redefinition of 'struct pair'
   struct pair { int a, b; };
       ^
In file included from foo.c:1:0:
pair.h:1:8: note: originally defined here
   struct pair { int a, b; };
       ^
```

- ❖ `foo.c` includes `pair.h` twice!
 - Second time is indirectly via `util.h`
 - Struct definition shows up twice
 - Can see using `cpp`





Preprocessor Tricks: Header Guards

- ❖ A standard C Preprocessor trick to deal with this
 - Uses macro definition (`#define`) in combination with conditional compilation (`#ifndef` and `#endif`)

```
#ifndef PAIR_H_
#define PAIR_H_

struct pair {
    int a, b;
};

#endif // PAIR_H_
```

pair.h

```
#ifndef UTIL_H_
#define UTIL_H_

#include "pair.h"

// a useful function
struct pair* make_pair(int a, int b);

#endif // UTIL_H_
```

util.h

foo.c

```
#include "pair.h"
#include "util.h"

int main(int argc, char** argv) {
```

Extra Exercise #1

- ❖ Extend the linked list program we covered in class:
 - Add a function that returns the number of elements in a list
 - Implement a program that builds a list of lists
 - *i.e.* it builds a linked list where each element is a (different) linked list
 - Bonus: design and implement a “Pop” function
 - Removes an element from the head of the list
 - Make sure your linked list code, and customers’ code that uses it, contains no memory leaks

Extra Exercise #2

- ❖ Implement and test a binary search tree
 - https://en.wikipedia.org/wiki/Binary_search_tree
 - Don't worry about making it balanced
 - Implement key insert() and lookup() functions
 - Bonus: implement a key delete() function
 - Implement it as a C module
 - `bst.c`, `bst.h`
 - Implement `test_bst.c`
 - Contains `main()` and tests out your BST

Extra Exercise #3

- ❖ Implement a Complex number module
 - `complex.c`, `complex.h`
 - Includes a typedef to define a complex number
 - $a + bi$, where `a` and `b` are `doubles`
 - Includes functions to:
 - add, subtract, multiply, and divide complex numbers
 - Implement a test driver in `test_complex.c`
 - Contains `main()`